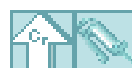
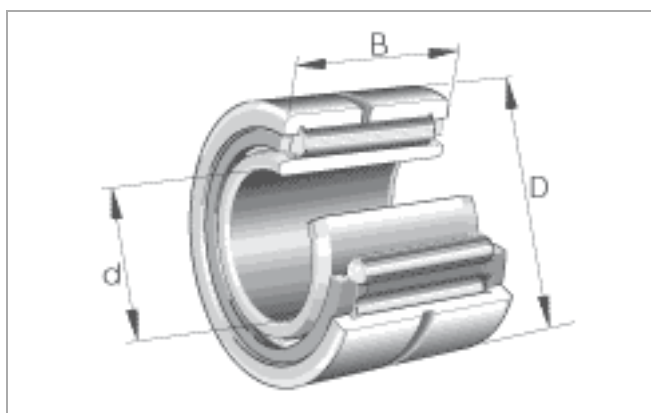




Needle roller bearings NKI

light series

The datasheet is only an overview of dimensions and basic load ratings for the selected series. Please ensure that you note all the guidance in these overview pages. Further information is given on many products under the menu item "Description". You can also obtain comprehensive information material via Catalogue selection (<http://www.ina.de/content.ina.de/en/services/mediathek/library/library.jsp>), by e-mail (kataloge@de.ina.com) or telephone +49 (91 32) 82 - 28 97.



	d mm	D mm	B mm
NKI5/12-TV	5	15	12
NKI5/16-TV	5	15	16
NKI6/12-TV	6	16	12
NKI6/16-TV	6	16	16
NKI7/12-TV	7	17	12
NKI7/16-TV	7	17	16
NKI9/12	9	19	12
NKI9/16	9	19	16
NKI10/16	10	22	16
NKI10/20	10	22	20
NKI12/16	12	24	16
NKI12/20	12	24	20
NKI15/16	15	27	16
NKI15/20	15	27	20
NKI17/16	17	29	16
	d mm	D mm	B mm



	d mm	D mm	B mm	
NKI17/20		17	29	20
NKI20/16		20	32	16
NKI20/20		20	32	20
NKI22/16		22	34	16
NKI22/20		22	34	20
NKI25/20-TV		25	38	20
NKI25/30		25	38	30
NKI28/20-TV		28	42	20
NKI28/30		28	42	30
NKI30/20-TV		30	45	20
NKI30/30-TV		30	45	30
NKI32/20		32	47	20
NKI32/30		32	47	30
NKI35/20-TV		35	50	20
NKI35/30		35	50	30
NKI38/20		38	53	20
NKI38/30		38	53	30
NKI40/20-TV		40	55	20
NKI40/30-TV		40	55	30
NKI42/20		42	57	20
NKI42/30		42	57	30
NKI45/25-TV		45	62	25
NKI45/35-TV		45	62	35
NKI50/25		50	68	25
NKI50/35		50	68	35
NKI55/25-TV		55	72	25
NKI55/35		55	72	35
NKI60/25		60	82	25
NKI60/35		60	82	35
NKI65/25		65	90	25
NKI65/35		65	90	35
NKI70/25		70	95	25
NKI70/35		70	95	35
	d mm	D mm	B mm	



	d mm	D mm	B mm
NKI75/25	75	105	25
NKI75/35	75	105	35
NKI80/25	80	110	25
NKI80/35	80	110	35
NKI85/26	85	115	26
NKI85/36	85	115	36
NKI90/26	90	120	26
NKI90/36	90	120	36
NKI95/26	95	125	26
NKI95/36	95	125	36
NKI100/30	100	130	30
NKI100/40	100	130	40

	d mm	D mm	B mm
--	---------	---------	---------

Figure 1

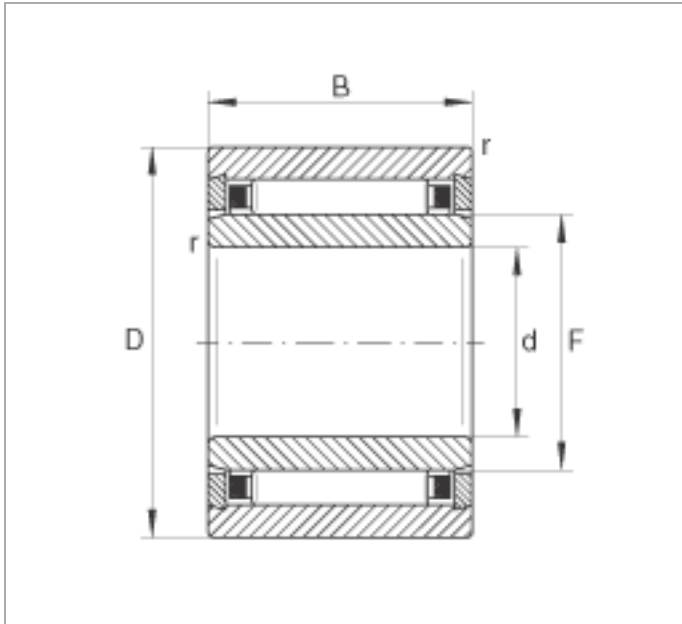


Figure 2

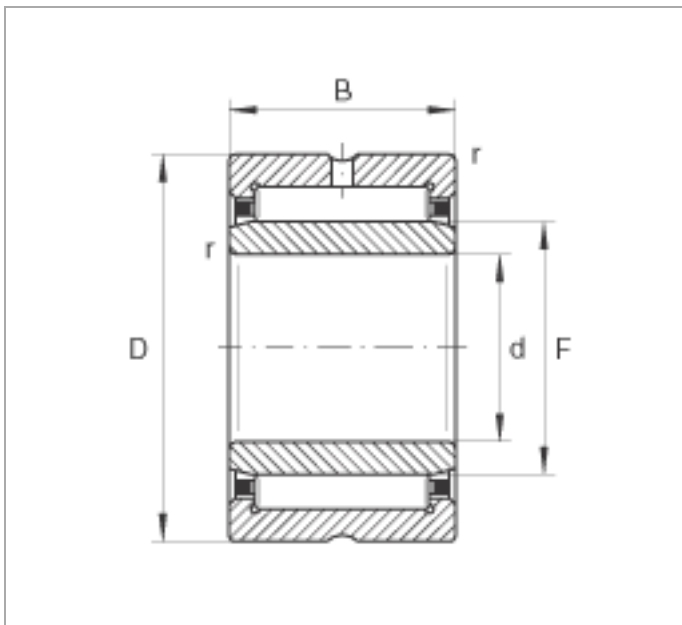


Figure 3

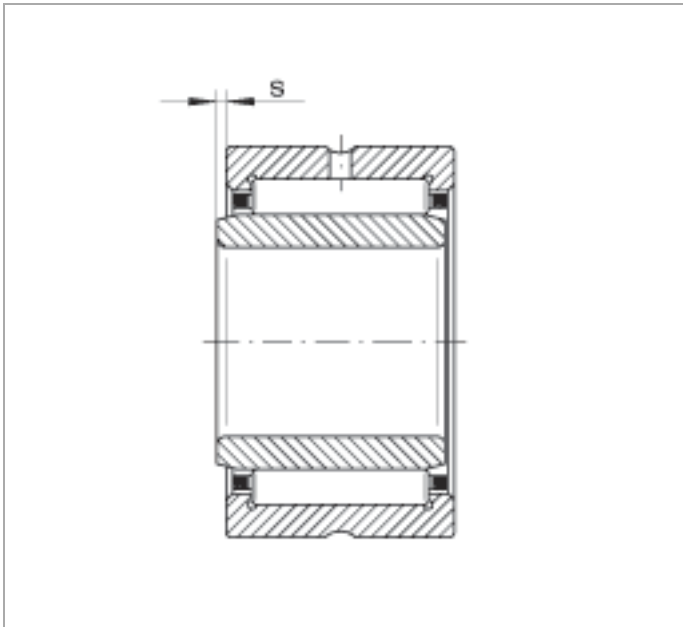
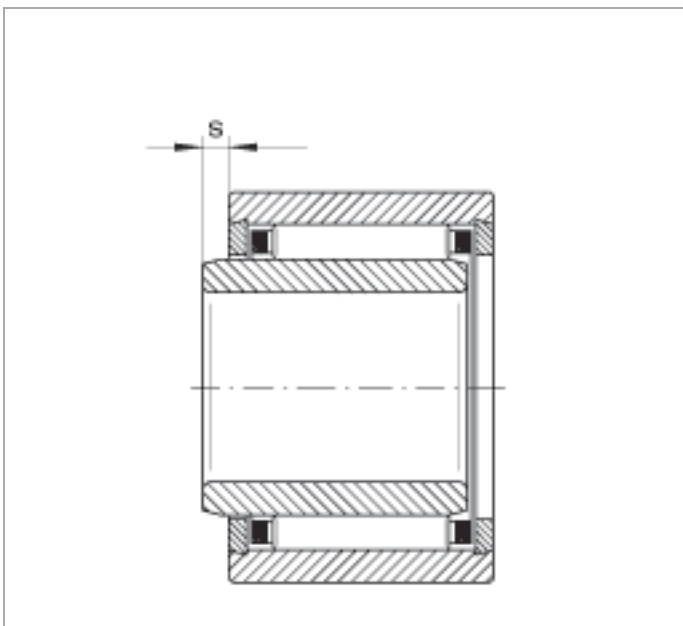


Figure 4



NKI5/12-TV



Figure 1 , Figure 4

d	5 mm	
D	15 mm	
B	12 mm	
F	8 mm	
r _{min}	0,3 mm	
s	1,5 mm	Axial displacement
m	11,5 g	Mass
C _r	4450 N	Basic dynamic load rating, radial
C _{0r}	4100 N	Basic static load rating, radial
C _{ur}	690 N	Fatigue limit load, radial
n _G	32500 1/min	Limiting speed
n _B	32500 1/min	Reference speed
With closing rings, without lubrication hole and without lubrication groove.		

NKI5/16-TV



Figure 1 , Figure 4

d	5 mm	
D	15 mm	
B	16 mm	
F	8 mm	
r _{min}	0,3 mm	
s	2 mm	Axial displacement
m	15,3 g	Mass
C _r	5800 N	Basic dynamic load rating, radial
C _{0r}	5800 N	Basic static load rating, radial
C _{ur}	970 N	Fatigue limit load, radial
n _G	32500 1/min	Limiting speed
n _B	32000 1/min	Reference speed
With closing rings, without lubrication hole and without lubrication groove.		

NKI6/12-TV



Figure 1 , Figure 4

d	6 mm	
D	16 mm	
B	12 mm	
F	9 mm	
r _{min}	0,3 mm	
s	1,5 mm	Axial displacement
m	13,5 g	Mass
C _r	5100 N	Basic dynamic load rating, radial
C _{0r}	5000 N	Basic static load rating, radial
C _{ur}	840 N	Fatigue limit load, radial
n _G	31000 1/min	Limiting speed
n _B	28500 1/min	Reference speed
With closing rings, without lubrication hole and without lubrication groove.		

NKI6/16-TV



Figure 1 , Figure 4

d	6 mm	
D	16 mm	
B	16 mm	
F	9 mm	
r _{min}	0,3 mm	
s	2 mm	Axial displacement
m	17,4 g	Mass
C _r	6600 N	Basic dynamic load rating, radial
C _{0r}	7100 N	Basic static load rating, radial
C _{ur}	1190 N	Fatigue limit load, radial
n _G	31000 1/min	Limiting speed
n _B	28000 1/min	Reference speed
With closing rings, without lubrication hole and without lubrication groove.		

NKI7/12-TV



Figure 1 , Figure 4

d	7 mm	
D	17 mm	
B	12 mm	
F	10 mm	
r _{min}	0,3 mm	
s	1,5 mm	Axial displacement
m	13,7 g	Mass
C _r	5300 N	Basic dynamic load rating, radial
C _{0r}	5500 N	Basic static load rating, radial
C _{ur}	930 N	Fatigue limit load, radial
n _G	29500 1/min	Limiting speed
n _B	26000 1/min	Reference speed
With closing rings, without lubrication hole and without lubrication groove.		

NKI7/16-TV



Figure 1 , Figure 4

d	7 mm	
D	17 mm	
B	16 mm	
F	10 mm	
r _{min}	0,3 mm	
s	2 mm	Axial displacement
m	18,2 g	Mass
C _r	7000 N	Basic dynamic load rating, radial
C _{0r}	7800 N	Basic static load rating, radial
C _{ur}	1310 N	Fatigue limit load, radial
n _G	29500 1/min	Limiting speed
n _B	25500 1/min	Reference speed
With closing rings, without lubrication hole and without lubrication groove.		

NKI9/12



Figure 2 , Figure 3

d	9 mm	
D	19 mm	
B	12 mm	
F	12 mm	
r _{min}	0,3 mm	
s	1,5 mm	Axial displacement
m	16,6 g	Mass
C _r	7200 N	Basic dynamic load rating, radial
C _{0r}	7100 N	Basic static load rating, radial
C _{ur}	1280 N	Fatigue limit load, radial
n _G	26500 1/min	Limiting speed
n _B	20200 1/min	Reference speed

NKI9/16



Figure 2 , Figure 3

d	9 mm	
D	19 mm	
B	16 mm	
F	12 mm	
r _{min}	0,3 mm	
s	2 mm	Axial displacement
m	21,9 g	Mass
C _r	10100 N	Basic dynamic load rating, radial
C _{0r}	11000 N	Basic static load rating, radial
C _{ur}	1920 N	Fatigue limit load, radial
n _G	26500 1/min	Limiting speed
n _B	19500 1/min	Reference speed

NKI10/16



Figure 2 , Figure 3

d	10 mm	
D	22 mm	
B	16 mm	
F	14 mm	
r _{min}	0,3 mm	
s	0,5 mm	Axial displacement
m	29,4 g	Mass
C _r	11400 N	Basic dynamic load rating, radial
C _{0r}	11500 N	Basic static load rating, radial
C _{ur}	2100 N	Fatigue limit load, radial
n _G	24600 1/min	Limiting speed
n _B	16400 1/min	Reference speed

NKI10/20



Figure 2 , Figure 3

d	10 mm	
D	22 mm	
B	20 mm	
F	14 mm	
r _{min}	0,3 mm	
s	0,5 mm	Axial displacement
m	37,1 g	Mass
C _r	14500 N	Basic dynamic load rating, radial
C _{0r}	15600 N	Basic static load rating, radial
C _{ur}	2700 N	Fatigue limit load, radial
n _G	24600 1/min	Limiting speed
n _B	16100 1/min	Reference speed

NKI12/16



Figure 2 , Figure 3

d	12 mm	
D	24 mm	
B	16 mm	
F	16 mm	
r _{min}	0,3 mm	
s	0,5 mm	Axial displacement
m	33,3 g	Mass
C _r	12800 N	Basic dynamic load rating, radial
C _{0r}	13900 N	Basic static load rating, radial
C _{ur}	2550 N	Fatigue limit load, radial
n _G	23200 1/min	Limiting speed
n _B	14500 1/min	Reference speed

NKI12/20



Figure 2 , Figure 3

d	12 mm	
D	24 mm	
B	20 mm	
F	16 mm	
r _{min}	0,3 mm	
s	0,5 mm	Axial displacement
m	41,9 g	Mass
C _r	16300 N	Basic dynamic load rating, radial
C _{0r}	18800 N	Basic static load rating, radial
C _{ur}	3250 N	Fatigue limit load, radial
n _G	23200 1/min	Limiting speed
n _B	14200 1/min	Reference speed

NKI15/16



Figure 2 , Figure 3

d	15 mm	
D	27 mm	
B	16 mm	
F	19 mm	
r _{min}	0,3 mm	
s	0,5 mm	Axial displacement
m	38,8 g	Mass
C _r	14700 N	Basic dynamic load rating, radial
C _{0r}	17400 N	Basic static load rating, radial
C _{ur}	3200 N	Fatigue limit load, radial
n _G	21600 1/min	Limiting speed
n _B	12400 1/min	Reference speed

NKI15/20



Figure 2 , Figure 3

d	15 mm	
D	27 mm	
B	20 mm	
F	19 mm	
r _{min}	0,3 mm	
s	0,5 mm	Axial displacement
m	48,7 g	Mass
C _r	18700 N	Basic dynamic load rating, radial
C _{0r}	23600 N	Basic static load rating, radial
C _{ur}	4150 N	Fatigue limit load, radial
n _G	21600 1/min	Limiting speed
n _B	12100 1/min	Reference speed

NKI17/16



Figure 2 , Figure 3

d	17 mm	
D	29 mm	
B	16 mm	
F	21 mm	
r _{min}	0,3 mm	
s	0,5 mm	Axial displacement
m	42,4 g	Mass
C _r	15200 N	Basic dynamic load rating, radial
C _{0r}	18700 N	Basic static load rating, radial
C _{ur}	3450 N	Fatigue limit load, radial
n _G	20600 1/min	Limiting speed
n _B	11400 1/min	Reference speed

NKI17/20



Figure 2 , Figure 3

d	17 mm	
D	29 mm	
B	20 mm	
F	21 mm	
r _{min}	0,3 mm	
s	0,5 mm	Axial displacement
m	53,4 g	Mass
C _r	19300 N	Basic dynamic load rating, radial
C _{0r}	25500 N	Basic static load rating, radial
C _{ur}	4450 N	Fatigue limit load, radial
n _G	20600 1/min	Limiting speed
n _B	11200 1/min	Reference speed

NKI20/16



Figure 2 , Figure 3

d	20 mm	
D	32 mm	
B	16 mm	
F	24 mm	
r _{min}	0,3 mm	
s	0,5 mm	Axial displacement
m	49 g	Mass
C _r	16900 N	Basic dynamic load rating, radial
C _{0r}	22300 N	Basic static load rating, radial
C _{ur}	4100 N	Fatigue limit load, radial
n _G	18500 1/min	Limiting speed
n _B	10100 1/min	Reference speed

NKI20/20



Figure 2 , Figure 3

d	20 mm	
D	32 mm	
B	20 mm	
F	24 mm	
r _{min}	0,3 mm	
s	0,5 mm	Axial displacement
m	61 g	Mass
C _r	21400 N	Basic dynamic load rating, radial
C _{0r}	30500 N	Basic static load rating, radial
C _{ur}	5300 N	Fatigue limit load, radial
n _G	18500 1/min	Limiting speed
n _B	9900 1/min	Reference speed

NKI22/16



Figure 2 , Figure 3

d	22 mm	
D	34 mm	
B	16 mm	
F	26 mm	
r _{min}	0,3 mm	
s	0,5 mm	Axial displacement
m	52 g	Mass
C _r	17300 N	Basic dynamic load rating, radial
C _{0r}	23600 N	Basic static load rating, radial
C _{ur}	4350 N	Fatigue limit load, radial
n _G	17200 1/min	Limiting speed
n _B	9500 1/min	Reference speed

NKI22/20



Figure 2 , Figure 3

d	22 mm	
D	34 mm	
B	20 mm	
F	26 mm	
r _{min}	0,3 mm	
s	0,5 mm	Axial displacement
m	65,4 g	Mass
C _r	22000 N	Basic dynamic load rating, radial
C _{0r}	32000 N	Basic static load rating, radial
C _{ur}	5600 N	Fatigue limit load, radial
n _G	17200 1/min	Limiting speed
n _B	9300 1/min	Reference speed

NKI25/20-TV



Figure 2 , Figure 3

d	25 mm	
D	38 mm	
B	20 mm	
F	29 mm	
r _{min}	0,3 mm	
s	1 mm	Axial displacement
m	75,8 g	Mass
C _r	27500 N	Basic dynamic load rating, radial
C _{0r}	39000 N	Basic static load rating, radial
C _{ur}	6900 N	Fatigue limit load, radial
n _G	15300 1/min	Limiting speed
n _B	8100 1/min	Reference speed

NKI25/30



Figure 2 , Figure 3

d	25 mm	
D	38 mm	
B	30 mm	
F	29 mm	
r _{min}	0,3 mm	
s	1,5 mm	Axial displacement
m	124 g	Mass
C _r	37000 N	Basic dynamic load rating, radial
C _{0r}	57000 N	Basic static load rating, radial
C _{ur}	10600 N	Fatigue limit load, radial
n _G	15300 1/min	Limiting speed
n _B	8200 1/min	Reference speed

NKI28/20-TV



Figure 2 , Figure 3

d	28 mm	
D	42 mm	
B	20 mm	
F	32 mm	
r _{min}	0,3 mm	
s	1 mm	Axial displacement
m	92,4 g	Mass
C _r	29500 N	Basic dynamic load rating, radial
C _{0r}	44500 N	Basic static load rating, radial
C _{ur}	7800 N	Fatigue limit load, radial
n _G	14000 1/min	Limiting speed
n _B	7500 1/min	Reference speed

NKI28/30



Figure 2 , Figure 3

d	28 mm	
D	42 mm	
B	30 mm	
F	32 mm	
r _{min}	0,3 mm	
s	1,5 mm	Axial displacement
m	146 g	Mass
C _r	39000 N	Basic dynamic load rating, radial
C _{0r}	63000 N	Basic static load rating, radial
C _{ur}	11700 N	Fatigue limit load, radial
n _G	14000 1/min	Limiting speed
n _B	8600 1/min	Reference speed

NKI30/20-TV



Figure 2 , Figure 3

d	30 mm	
D	45 mm	
B	20 mm	
F	35 mm	
r _{min}	0,3 mm	
s	0,5 mm	Axial displacement
m	108 g	Mass
C _r	31000 N	Basic dynamic load rating, radial
C _{0r}	48500 N	Basic static load rating, radial
C _{ur}	8500 N	Fatigue limit load, radial
n _G	12900 1/min	Limiting speed
n _B	6800 1/min	Reference speed

NKI30/30-TV



Figure 2 , Figure 3

d	30 mm	
D	45 mm	
B	30 mm	
F	35 mm	
r _{min}	0,3 mm	
s	1 mm	Axial displacement
m	165 g	Mass
C _r	46000 N	Basic dynamic load rating, radial
C _{0r}	81000 N	Basic static load rating, radial
C _{ur}	15000 N	Fatigue limit load, radial
n _G	12900 1/min	Limiting speed
n _B	6600 1/min	Reference speed

NKI32/20



Figure 2 , Figure 3

d	32 mm	
D	47 mm	
B	20 mm	
F	37 mm	
r _{min}	0,3 mm	
s	0,5 mm	Axial displacement
m	118 g	Mass
C _r	28000 N	Basic dynamic load rating, radial
C _{0r}	43500 N	Basic static load rating, radial
C _{ur}	7600 N	Fatigue limit load, radial
n _G	12300 1/min	Limiting speed
n _B	6900 1/min	Reference speed

NKI32/30



Figure 2 , Figure 3

d	32 mm	
D	47 mm	
B	30 mm	
F	37 mm	
r _{min}	0,3 mm	
s	1 mm	Axial displacement
m	180 g	Mass
C _r	42000 N	Basic dynamic load rating, radial
C _{0r}	73000 N	Basic static load rating, radial
C _{ur}	13500 N	Fatigue limit load, radial
n _G	12300 1/min	Limiting speed
n _B	6600 1/min	Reference speed

NKI35/20-TV



Figure 2 , Figure 3

d	35 mm	
D	50 mm	
B	20 mm	
F	40 mm	
r _{min}	0,3 mm	
s	0,5 mm	Axial displacement
m	122 g	Mass
C _r	33500 N	Basic dynamic load rating, radial
C _{0r}	56000 N	Basic static load rating, radial
C _{ur}	9800 N	Fatigue limit load, radial
n _G	11400 1/min	Limiting speed
n _B	6100 1/min	Reference speed

NKI35/30



Figure 2 , Figure 3

d	35 mm	
D	50 mm	
B	30 mm	
F	40 mm	
r _{min}	0,3 mm	
s	1 mm	Axial displacement
m	193 g	Mass
C _r	44000 N	Basic dynamic load rating, radial
C _{0r}	79000 N	Basic static load rating, radial
C _{ur}	14600 N	Fatigue limit load, radial
n _G	11400 1/min	Limiting speed
n _B	6200 1/min	Reference speed

NKI38/20



Figure 2 , Figure 3

d	38 mm	
D	53 mm	
B	20 mm	
F	43 mm	
r _{min}	0,3 mm	
s	0,5 mm	Axial displacement
m	136 g	Mass
C _r	30500 N	Basic dynamic load rating, radial
C _{0r}	51000 N	Basic static load rating, radial
C _{ur}	8900 N	Fatigue limit load, radial
n _G	10700 1/min	Limiting speed
n _B	6000 1/min	Reference speed

NKI38/30



Figure 2 , Figure 3

d	38 mm	
D	53 mm	
B	30 mm	
F	43 mm	
r _{min}	0,3 mm	
s	1 mm	Axial displacement
m	207 g	Mass
C _r	45500 N	Basic dynamic load rating, radial
C _{0r}	85000 N	Basic static load rating, radial
C _{ur}	15800 N	Fatigue limit load, radial
n _G	10700 1/min	Limiting speed
n _B	5900 1/min	Reference speed

NKI40/20-TV



Figure 2 , Figure 3

d	40 mm	
D	55 mm	
B	20 mm	
F	45 mm	
r _{min}	0,3 mm	
s	0,5 mm	Axial displacement
m	136 g	Mass
C _r	35000 N	Basic dynamic load rating, radial
C _{0r}	62000 N	Basic static load rating, radial
C _{ur}	10800 N	Fatigue limit load, radial
n _G	10200 1/min	Limiting speed
n _B	5600 1/min	Reference speed

NKI40/30-TV



Figure 2 , Figure 3

d	40 mm	
D	55 mm	
B	30 mm	
F	45 mm	
r _{min}	0,3 mm	
s	1 mm	Axial displacement
m	216 g	Mass
C _r	52000 N	Basic dynamic load rating, radial
C _{0r}	103000 N	Basic static load rating, radial
C _{ur}	19100 N	Fatigue limit load, radial
n _G	10200 1/min	Limiting speed
n _B	5400 1/min	Reference speed

NKI42/20



Figure 2 , Figure 3

d	42 mm	
D	57 mm	
B	20 mm	
F	47 mm	
r _{min}	0,3 mm	
s	0,5 mm	Axial displacement
m	148 g	Mass
C _r	32500 N	Basic dynamic load rating, radial
C _{0r}	56000 N	Basic static load rating, radial
C _{ur}	9900 N	Fatigue limit load, radial
n _G	9800 1/min	Limiting speed
n _B	5600 1/min	Reference speed

NKI42/30



Figure 2 , Figure 3

d	42 mm	
D	57 mm	
B	30 mm	
F	47 mm	
r _{min}	0,3 mm	
s	1 mm	Axial displacement
m	222 g	Mass
C _r	48500 N	Basic dynamic load rating, radial
C _{0r}	94000 N	Basic static load rating, radial
C _{ur}	17500 N	Fatigue limit load, radial
n _G	9800 1/min	Limiting speed
n _B	5400 1/min	Reference speed

NKI45/25-TV



Figure 2 , Figure 3

d	45 mm	
D	62 mm	
B	25 mm	
F	50 mm	
r _{min}	0,6 mm	
s	1,5 mm	Axial displacement
m	217 g	Mass
C _r	48500 N	Basic dynamic load rating, radial
C _{0r}	87000 N	Basic static load rating, radial
C _{ur}	14800 N	Fatigue limit load, radial
n _G	9200 1/min	Limiting speed
n _B	5300 1/min	Reference speed

NKI45/35-TV



Figure 2 , Figure 3

d	45 mm	
D	62 mm	
B	35 mm	
F	50 mm	
r _{min}	0,6 mm	
s	2 mm	Axial displacement
m	308 g	Mass
C _r	67000 N	Basic dynamic load rating, radial
C _{0r}	132000 N	Basic static load rating, radial
C _{ur}	23900 N	Fatigue limit load, radial
n _G	9200 1/min	Limiting speed
n _B	4950 1/min	Reference speed

NKI50/25



Figure 2 , Figure 3

d	50 mm	
D	68 mm	
B	25 mm	
F	55 mm	
r _{min}	0,6 mm	
s	1,5 mm	Axial displacement
m	270 g	Mass
C _r	45500 N	Basic dynamic load rating, radial
C _{0r}	82000 N	Basic static load rating, radial
C _{ur}	14000 N	Fatigue limit load, radial
n _G	8400 1/min	Limiting speed
n _B	4950 1/min	Reference speed

NKI50/35



Figure 2 , Figure 3

d	50 mm	
D	68 mm	
B	35 mm	
F	55 mm	
r _{min}	0,6 mm	
s	2 mm	Axial displacement
m	379 g	Mass
C _r	60000 N	Basic dynamic load rating, radial
C _{0r}	118000 N	Basic static load rating, radial
C _{ur}	21300 N	Fatigue limit load, radial
n _G	8400 1/min	Limiting speed
n _B	4900 1/min	Reference speed

NKI55/25-TV



Figure 2 , Figure 3

d	55 mm	
D	72 mm	
B	25 mm	
F	60 mm	
r _{min}	0,6 mm	
s	1,5 mm	Axial displacement
m	255 g	Mass
C _r	53000 N	Basic dynamic load rating, radial
C _{0r}	103000 N	Basic static load rating, radial
C _{ur}	17500 N	Fatigue limit load, radial
n _G	7700 1/min	Limiting speed
n _B	4400 1/min	Reference speed

NKI55/35



Figure 2 , Figure 3

d	55 mm	
D	72 mm	
B	35 mm	
F	60 mm	
r _{min}	0,6 mm	
s	2 mm	Axial displacement
m	379 g	Mass
C _r	63000 N	Basic dynamic load rating, radial
C _{0r}	130000 N	Basic static load rating, radial
C _{ur}	23500 N	Fatigue limit load, radial
n _G	7700 1/min	Limiting speed
n _B	4550 1/min	Reference speed

NKI60/25



Figure 2 , Figure 3

d	60 mm	
D	82 mm	
B	25 mm	
F	68 mm	
r _{min}	0,6 mm	
s	1 mm	Axial displacement
m	394 g	Mass
C _r	49500 N	Basic dynamic load rating, radial
C _{0r}	89000 N	Basic static load rating, radial
C _{ur}	15200 N	Fatigue limit load, radial
n _G	6800 1/min	Limiting speed
n _B	4200 1/min	Reference speed

NKI60/35



Figure 2 , Figure 3

d	60 mm	
D	82 mm	
B	35 mm	
F	68 mm	
r _{min}	0,6 mm	
s	1 mm	Axial displacement
m	553 g	Mass
C _r	70000 N	Basic dynamic load rating, radial
C _{0r}	139000 N	Basic static load rating, radial
C _{ur}	25500 N	Fatigue limit load, radial
n _G	6800 1/min	Limiting speed
n _B	4050 1/min	Reference speed

NKI65/25



Figure 2 , Figure 3

d	65 mm	
D	90 mm	
B	25 mm	
F	73 mm	
r _{min}	1 mm	
s	1 mm	Axial displacement
m	467 g	Mass
C _r	60000 N	Basic dynamic load rating, radial
C _{0r}	100000 N	Basic static load rating, radial
C _{ur}	17500 N	Fatigue limit load, radial
n _G	6300 1/min	Limiting speed
n _B	3900 1/min	Reference speed

NKI65/35



Figure 2 , Figure 3

d	65 mm	
D	90 mm	
B	35 mm	
F	73 mm	
r _{min}	1 mm	
s	1 mm	Axial displacement
m	659 g	Mass
C _r	85000 N	Basic dynamic load rating, radial
C _{0r}	156000 N	Basic static load rating, radial
C _{ur}	27000 N	Fatigue limit load, radial
n _G	6300 1/min	Limiting speed
n _B	3750 1/min	Reference speed

NKI70/25



Figure 2 , Figure 3

d	70 mm	
D	95 mm	
B	25 mm	
F	80 mm	
r _{min}	1 mm	
s	0,8 mm	Axial displacement
m	521 g	Mass
C _r	63000 N	Basic dynamic load rating, radial
C _{0r}	119000 N	Basic static load rating, radial
C _{ur}	19700 N	Fatigue limit load, radial
n _G	5800 1/min	Limiting speed
n _B	3500 1/min	Reference speed

NKI70/35



Figure 2 , Figure 3

d	70 mm	
D	95 mm	
B	35 mm	
F	80 mm	
r _{min}	1 mm	
s	0,8 mm	Axial displacement
m	737 g	Mass
C _r	89000 N	Basic dynamic load rating, radial
C _{0r}	184000 N	Basic static load rating, radial
C _{ur}	32500 N	Fatigue limit load, radial
n _G	5800 1/min	Limiting speed
n _B	3350 1/min	Reference speed

NKI75/25



Figure 2 , Figure 3

d	75 mm	
D	105 mm	
B	25 mm	
F	85 mm	
r _{min}	1 mm	
s	1 mm	Axial displacement
m	641 g	Mass
C _r	78000 N	Basic dynamic load rating, radial
C _{0r}	123000 N	Basic static load rating, radial
C _{ur}	21700 N	Fatigue limit load, radial
n _G	5400 1/min	Limiting speed
n _B	3300 1/min	Reference speed

NKI75/35



Figure 2 , Figure 3

d	75 mm	
D	105 mm	
B	35 mm	
F	85 mm	
r _{min}	1 mm	
s	1 mm	Axial displacement
m	908 g	Mass
C _r	111000 N	Basic dynamic load rating, radial
C _{0r}	193000 N	Basic static load rating, radial
C _{ur}	34500 N	Fatigue limit load, radial
n _G	5400 1/min	Limiting speed
n _B	3200 1/min	Reference speed

NKI80/25



Figure 2 , Figure 3

d	80 mm	
D	110 mm	
B	25 mm	
F	90 mm	
r _{min}	1 mm	
s	1 mm	Axial displacement
m	677 g	Mass
C _r	81000 N	Basic dynamic load rating, radial
C _{0r}	132000 N	Basic static load rating, radial
C _{ur}	23300 N	Fatigue limit load, radial
n _G	5100 1/min	Limiting speed
n _B	3150 1/min	Reference speed

NKI80/35



Figure 2 , Figure 3

d	80 mm	
D	110 mm	
B	35 mm	
F	90 mm	
r _{min}	1 mm	
s	1 mm	Axial displacement
m	959 g	Mass
C _r	116000 N	Basic dynamic load rating, radial
C _{0r}	208000 N	Basic static load rating, radial
C _{ur}	37000 N	Fatigue limit load, radial
n _G	5100 1/min	Limiting speed
n _B	3050 1/min	Reference speed

NKI85/26



Figure 2 , Figure 3

d	85 mm	
D	115 mm	
B	26 mm	
F	95 mm	
r _{min}	1 mm	
s	1,5 mm	Axial displacement
m	743 g	Mass
C _r	83000 N	Basic dynamic load rating, radial
C _{0r}	137000 N	Basic static load rating, radial
C _{ur}	24000 N	Fatigue limit load, radial
n _G	4850 1/min	Limiting speed
n _B	3100 1/min	Reference speed

NKI85/36



Figure 2 , Figure 3

d	85 mm	
D	115 mm	
B	36 mm	
F	95 mm	
r _{min}	1 mm	
s	1,5 mm	Axial displacement
m	1040 g	Mass
C _r	121000 N	Basic dynamic load rating, radial
C _{0r}	223000 N	Basic static load rating, radial
C _{ur}	39500 N	Fatigue limit load, radial
n _G	4850 1/min	Limiting speed
n _B	2950 1/min	Reference speed

NKI90/26



Figure 2 , Figure 3

d	90 mm	
D	120 mm	
B	26 mm	
F	100 mm	
r _{min}	1 mm	
s	1,5 mm	Axial displacement
m	778 g	Mass
C _r	86000 N	Basic dynamic load rating, radial
C _{0r}	146000 N	Basic static load rating, radial
C _{ur}	25000 N	Fatigue limit load, radial
n _G	4600 1/min	Limiting speed
n _B	2950 1/min	Reference speed

NKI90/36



Figure 2 , Figure 3

d	90 mm	
D	120 mm	
B	36 mm	
F	100 mm	
r _{min}	1 mm	
s	1,5 mm	Axial displacement
m	1090 g	Mass
C _r	125000 N	Basic dynamic load rating, radial
C _{0r}	237000 N	Basic static load rating, radial
C _{ur}	41500 N	Fatigue limit load, radial
n _G	4600 1/min	Limiting speed
n _B	2800 1/min	Reference speed

NKI95/26



Figure 2 , Figure 3

d	95 mm	
D	125 mm	
B	26 mm	
F	105 mm	
r _{min}	1 mm	
s	1,5 mm	Axial displacement
m	816 g	Mass
C _r	89000 N	Basic dynamic load rating, radial
C _{0r}	155000 N	Basic static load rating, radial
C _{ur}	26500 N	Fatigue limit load, radial
n _G	4400 1/min	Limiting speed
n _B	2850 1/min	Reference speed

NKI95/36



Figure 2 , Figure 3

d	95 mm	
D	125 mm	
B	36 mm	
F	105 mm	
r _{min}	1 mm	
s	1,5 mm	Axial displacement
m	1145 g	Mass
C _r	129000 N	Basic dynamic load rating, radial
C _{0r}	250000 N	Basic static load rating, radial
C _{ur}	43500 N	Fatigue limit load, radial
n _G	4400 1/min	Limiting speed
n _B	2700 1/min	Reference speed

NKI100/30



Figure 2 , Figure 3

d	100 mm	
D	130 mm	
B	30 mm	
F	110 mm	
r _{min}	1,1 mm	
s	1,5 mm	Axial displacement
m	990 g	Mass
C _r	111000 N	Basic dynamic load rating, radial
C _{0r}	210000 N	Basic static load rating, radial
C _{ur}	35500 N	Fatigue limit load, radial
n _G	4200 1/min	Limiting speed
n _B	2650 1/min	Reference speed

NKI100/40



Figure 2 , Figure 3

d	100 mm	
D	130 mm	
B	40 mm	
F	110 mm	
r _{min}	1,1 mm	
s	2 mm	Axial displacement
m	1330 g	Mass
C _r	143000 N	Basic dynamic load rating, radial
C _{0r}	290000 N	Basic static load rating, radial
C _{ur}	50000 N	Fatigue limit load, radial
n _G	4200 1/min	Limiting speed
n _B	2600 1/min	Reference speed