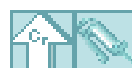
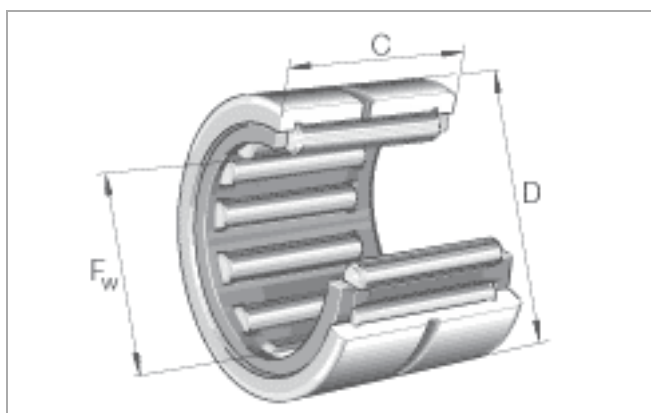




Needle roller bearings NK

light series

The datasheet is only an overview of dimensions and basic load ratings for the selected series. Please ensure that you note all the guidance in these overview pages. Further information is given on many products under the menu item "Description". You can also obtain comprehensive information material via Catalogue selection (<http://www.ina.de/content.ina.de/en/services/mediathek/library/library.jsp>), by e-mail (kataloge@de.ina.com) or telephone +49 (91 32) 82 - 28 97.



	F _w mm	D mm	C mm
NK5/10-TV	5	10	10
NK5/12-TV	5	10	12
NK6/10-TV	6	12	10
NK6/12-TV	6	12	12
NK7/10-TV	7	14	10
NK7/12-TV	7	14	12
NK8/12-TV	8	15	12
NK8/16-TV	8	15	16
NK9/12-TV	9	16	12
NK9/16-TV	9	16	16
NK10/12-TV	10	17	12
NK10/16-TV	10	17	16
NK12/12	12	19	12
NK12/16	12	19	16
NK14/16	14	22	16
	F _w mm	D mm	C mm



	F _w mm	D mm	C mm	
NK14/20		14	22	20
NK15/16		15	23	16
NK15/20		15	23	20
NK16/16		16	24	16
NK16/20		16	24	20
NK17/16		17	25	16
NK17/20		17	25	20
NK18/16		18	26	16
NK18/20		18	26	20
NK19/16		19	27	16
NK19/20		19	27	20
NK20/16		20	28	16
NK20/20		20	28	20
NK21/16		21	29	16
NK21/20		21	29	20
NK22/16		22	30	16
NK22/20		22	30	20
NK24/16		24	32	16
NK24/20		24	32	20
NK25/16		25	33	16
NK25/20		25	33	20
NK26/16		26	34	16
NK26/20		26	34	20
NK28/20		28	37	20
NK28/30		28	37	30
NK29/20-TV		29	38	20
NK29/30		29	38	30
NK30/20-TV		30	40	20
NK30/30-TV		30	40	30
NK32/20-TV		32	42	20
NK32/30		32	42	30
NK35/20-TV		35	45	20
NK35/30-TV		35	45	30
	F _w mm	D mm	C mm	



	F _w mm	D mm	C mm	
NK37/20		37	47	20
NK37/30		37	47	30
NK38/20		38	48	20
NK38/30		38	48	30
NK40/20-TV		40	50	20
NK40/30		40	50	30
NK42/20		42	52	20
NK42/30		42	52	30
NK43/20		43	53	20
NK43/30		43	53	30
NK45/20-TV		45	55	20
NK45/30-TV		45	55	30
NK47/20		47	57	20
NK47/30		47	57	30
NK50/25-TV		50	62	25
NK50/35-TV		50	62	35
NK55/25		55	68	25
NK55/35		55	68	35
NK60/25-TV		60	72	25
NK60/35		60	72	35
NK65/25		65	78	25
NK65/35		65	78	35
NK68/25		68	82	25
NK68/35		68	82	35
NK70/25		70	85	25
NK70/35		70	85	35
NK73/25		73	90	25
NK73/35		73	90	35
NK75/25		75	92	25
NK75/35		75	92	35
NK80/25		80	95	25
NK80/35		80	95	35
NK85/25		85	105	25
	F _w mm	D mm	C mm	



	F _w mm	D mm	C mm	
NK85/35		85	105	35
NK90/25		90	110	25
NK90/35		90	110	35
NK95/26		95	115	26
NK95/36		95	115	36
NK100/26		100	120	26
NK100/36		100	120	36
NK105/26		105	125	26
NK105/36		105	125	36
NK110/30		110	130	30
NK110/40		110	130	40
	F _w mm	D mm	C mm	

Figure 1

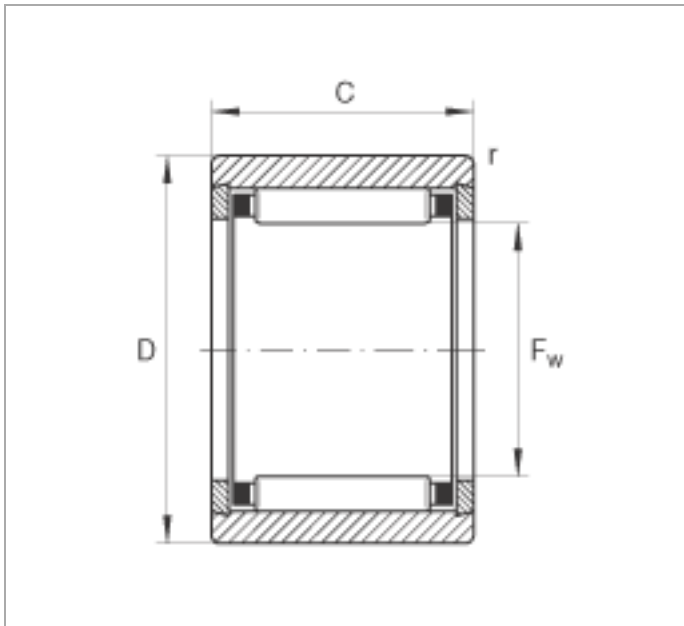
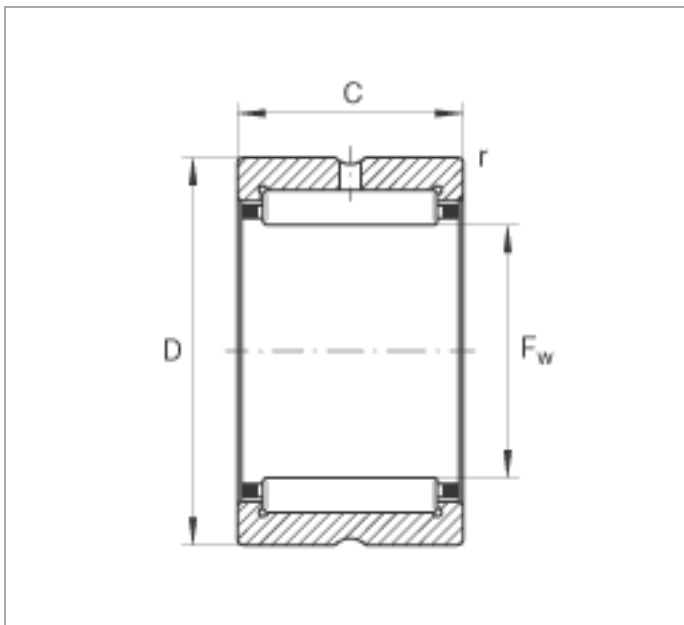


Figure 2



NK5/10-TV



Figure 1

F _w	5 mm	
D	10 mm	
C	10 mm	
r _{min}	0,15 mm	
m	3,1 g	Mass
C _r	2650 N	Basic dynamic load rating, radial
C _{0r}	1920 N	Basic static load rating, radial
C _{ur}	295 N	Fatigue limit load, radial
n _G	39000 1/min	Limiting speed
n _B	55000 1/min	Reference speed
With closing rings, without lubrication hole and without lubrication groove.		

NK5/12-TV



Figure 1

F _w	5 mm	
D	10 mm	
C	12 mm	
r _{min}	0,15 mm	
m	3,7 g	Mass
C _r	3400 N	Basic dynamic load rating, radial
C _{0r}	2650 N	Basic static load rating, radial
C _{ur}	435 N	Fatigue limit load, radial
n _G	39000 1/min	Limiting speed
n _B	54000 1/min	Reference speed
With closing rings, without lubrication hole and without lubrication groove.		

NK6/10-TV



Figure 1

F _w	6 mm	
D	12 mm	
C	10 mm	
r _{min}	0,15 mm	
m	4,7 g	Mass
C _r	2950 N	Basic dynamic load rating, radial
C _{0r}	2280 N	Basic static load rating, radial
C _{ur}	355 N	Fatigue limit load, radial
n _G	36500 1/min	Limiting speed
n _B	48500 1/min	Reference speed
With closing rings, without lubrication hole and without lubrication groove.		

NK6/12-TV



Figure 1

F _w	6 mm	
D	12 mm	
C	12 mm	
r _{min}	0,15 mm	
m	5,7 g	Mass
C _r	3800 N	Basic dynamic load rating, radial
C _{0r}	3150 N	Basic static load rating, radial
C _{ur}	520 N	Fatigue limit load, radial
n _G	36500 1/min	Limiting speed
n _B	47500 1/min	Reference speed
With closing rings, without lubrication hole and without lubrication groove.		

NK7/10-TV



Figure 1

F _w	7 mm	
D	14 mm	
C	10 mm	
r _{min}	0,3 mm	
m	6,9 g	Mass
C _r	3250 N	Basic dynamic load rating, radial
C _{0r}	2650 N	Basic static load rating, radial
C _{ur}	410 N	Fatigue limit load, radial
n _G	34500 1/min	Limiting speed
n _B	43000 1/min	Reference speed
With closing rings, without lubrication hole and without lubrication groove.		

NK7/12-TV



Figure 1

F _w	7 mm	
D	14 mm	
C	12 mm	
r _{min}	0,3 mm	
m	8,2 g	Mass
C _r	4150 N	Basic dynamic load rating, radial
C _{0r}	3600 N	Basic static load rating, radial
C _{ur}	600 N	Fatigue limit load, radial
n _G	34500 1/min	Limiting speed
n _B	42000 1/min	Reference speed
With closing rings, without lubrication hole and without lubrication groove.		

NK8/12-TV



Figure 1

F _w	8 mm	
D	15 mm	
C	12 mm	
r _{min}	0,3 mm	
m	8,7 g	Mass
C _r	4450 N	Basic dynamic load rating, radial
C _{0r}	4100 N	Basic static load rating, radial
C _{ur}	690 N	Fatigue limit load, radial
n _G	32500 1/min	Limiting speed
n _B	37000 1/min	Reference speed
With closing rings, without lubrication hole and without lubrication groove.		

NK8/16-TV



Figure 1

F _w	8 mm	
D	15 mm	
C	16 mm	
r _{min}	0,3 mm	
m	12 g	Mass
C _r	5800 N	Basic dynamic load rating, radial
C _{0r}	5800 N	Basic static load rating, radial
C _{ur}	970 N	Fatigue limit load, radial
n _G	32500 1/min	Limiting speed
n _B	36500 1/min	Reference speed
With closing rings, without lubrication hole and without lubrication groove.		

NK9/12-TV



Figure 1

F _w	9 mm	
D	16 mm	
C	12 mm	
r _{min}	0,3 mm	
m	10,3 g	Mass
C _r	5100 N	Basic dynamic load rating, radial
C _{0r}	5000 N	Basic static load rating, radial
C _{ur}	840 N	Fatigue limit load, radial
n _G	31000 1/min	Limiting speed
n _B	32000 1/min	Reference speed
With closing rings, without lubrication hole and without lubrication groove.		

NK9/16-TV



Figure 1

F _w	9 mm	
D	16 mm	
C	16 mm	
r _{min}	0,3 mm	
m	12,8 g	Mass
C _r	6600 N	Basic dynamic load rating, radial
C _{0r}	7100 N	Basic static load rating, radial
C _{ur}	1190 N	Fatigue limit load, radial
n _G	31000 1/min	Limiting speed
n _B	32000 1/min	Reference speed
With closing rings, without lubrication hole and without lubrication groove.		

NK10/12-TV



Figure 1

F _w	10 mm	
D	17 mm	
C	12 mm	
r _{min}	0,3 mm	
m	10,1 g	Mass
C _r	5300 N	Basic dynamic load rating, radial
C _{0r}	5500 N	Basic static load rating, radial
C _{ur}	930 N	Fatigue limit load, radial
n _G	29500 1/min	Limiting speed
n _B	29000 1/min	Reference speed
With closing rings, without lubrication hole and without lubrication groove.		

NK10/16-TV



Figure 1

F _w	10 mm	
D	17 mm	
C	16 mm	
r _{min}	0,3 mm	
m	13,3 g	Mass
C _r	7000 N	Basic dynamic load rating, radial
C _{0r}	7800 N	Basic static load rating, radial
C _{ur}	1310 N	Fatigue limit load, radial
n _G	29500 1/min	Limiting speed
n _B	28500 1/min	Reference speed
With closing rings, without lubrication hole and without lubrication groove.		

NK12/12



Figure 2

F _w	12 mm	
D	19 mm	
C	12 mm	
r _{min}	0,3 mm	
m	12,1 g	Mass
C _r	7200 N	Basic dynamic load rating, radial
C _{0r}	7100 N	Basic static load rating, radial
C _{ur}	1280 N	Fatigue limit load, radial
n _G	26500 1/min	Limiting speed
n _B	22400 1/min	Reference speed

NK12/16



Figure 2

F _w	12 mm	
D	19 mm	
C	16 mm	
r _{min}	0,3 mm	
m	15,9 g	Mass
C _r	10100 N	Basic dynamic load rating, radial
C _{0r}	11000 N	Basic static load rating, radial
C _{ur}	1920 N	Fatigue limit load, radial
n _G	26500 1/min	Limiting speed
n _B	21600 1/min	Reference speed

NK14/16



Figure 2

F _w	14 mm	
D	22 mm	
C	16 mm	
r _{min}	0,3 mm	
m	20,7 g	Mass
C _r	11400 N	Basic dynamic load rating, radial
C _{0r}	11500 N	Basic static load rating, radial
C _{ur}	2100 N	Fatigue limit load, radial
n _G	24600 1/min	Limiting speed
n _B	18600 1/min	Reference speed

NK14/20



Figure 2

F _w	14 mm	
D	22 mm	
C	20 mm	
r _{min}	0,3 mm	
m	25,5 g	Mass
C _r	14500 N	Basic dynamic load rating, radial
C _{0r}	15600 N	Basic static load rating, radial
C _{ur}	2700 N	Fatigue limit load, radial
n _G	24600 1/min	Limiting speed
n _B	18300 1/min	Reference speed

NK15/16



Figure 2

F _w	15 mm	
D	23 mm	
C	16 mm	
r _{min}	0,3 mm	
m	21,8 g	Mass
C _r	12100 N	Basic dynamic load rating, radial
C _{0r}	12700 N	Basic static load rating, radial
C _{ur}	2320 N	Fatigue limit load, radial
n _G	23900 1/min	Limiting speed
n _B	17300 1/min	Reference speed

NK15/20



Figure 2

F _w	15 mm	
D	23 mm	
C	20 mm	
r _{min}	0,3 mm	
m	26,6 g	Mass
C _r	15400 N	Basic dynamic load rating, radial
C _{0r}	17200 N	Basic static load rating, radial
C _{ur}	3000 N	Fatigue limit load, radial
n _G	23900 1/min	Limiting speed
n _B	17000 1/min	Reference speed

NK16/16



Figure 2

F _w	16 mm	
D	24 mm	
C	16 mm	
r _{min}	0,3 mm	
m	22,4 g	Mass
C _r	12800 N	Basic dynamic load rating, radial
C _{0r}	13900 N	Basic static load rating, radial
C _{ur}	2550 N	Fatigue limit load, radial
n _G	23200 1/min	Limiting speed
n _B	16200 1/min	Reference speed

NK16/20



Figure 2

F _w	16 mm	
D	24 mm	
C	20 mm	
r _{min}	0,3 mm	
m	28,4 g	Mass
C _r	16300 N	Basic dynamic load rating, radial
C _{0r}	18800 N	Basic static load rating, radial
C _{ur}	3250 N	Fatigue limit load, radial
n _G	23200 1/min	Limiting speed
n _B	15900 1/min	Reference speed

NK17/16



Figure 2

F _w	17 mm	
D	25 mm	
C	16 mm	
r _{min}	0,3 mm	
m	23,7 g	Mass
C _r	13500 N	Basic dynamic load rating, radial
C _{0r}	15000 N	Basic static load rating, radial
C _{ur}	2750 N	Fatigue limit load, radial
n _G	22600 1/min	Limiting speed
n _B	15300 1/min	Reference speed

NK17/20



Figure 2

F _w	17 mm	
D	25 mm	
C	20 mm	
r _{min}	0,3 mm	
m	29,8 g	Mass
C _r	17100 N	Basic dynamic load rating, radial
C _{0r}	20400 N	Basic static load rating, radial
C _{ur}	3550 N	Fatigue limit load, radial
n _G	22600 1/min	Limiting speed
n _B	15000 1/min	Reference speed

NK18/16



Figure 2

F _w	18 mm	
D	26 mm	
C	16 mm	
r _{min}	0,3 mm	
m	24,9 g	Mass
C _r	14100 N	Basic dynamic load rating, radial
C _{0r}	16200 N	Basic static load rating, radial
C _{ur}	3000 N	Fatigue limit load, radial
n _G	22100 1/min	Limiting speed
n _B	14400 1/min	Reference speed

NK18/20



Figure 2

F _w	18 mm	
D	26 mm	
C	20 mm	
r _{min}	0,3 mm	
m	31,4 g	Mass
C _r	17900 N	Basic dynamic load rating, radial
C _{0r}	22000 N	Basic static load rating, radial
C _{ur}	3850 N	Fatigue limit load, radial
n _G	22100 1/min	Limiting speed
n _B	14100 1/min	Reference speed

NK19/16



Figure 2

F _w	19 mm	
D	27 mm	
C	16 mm	
r _{min}	0,3 mm	
m	26,1 g	Mass
C _r	14700 N	Basic dynamic load rating, radial
C _{0r}	17400 N	Basic static load rating, radial
C _{ur}	3200 N	Fatigue limit load, radial
n _G	21600 1/min	Limiting speed
n _B	13700 1/min	Reference speed

NK19/20



Figure 2

F _w	19 mm	
D	27 mm	
C	20 mm	
r _{min}	0,3 mm	
m	32,2 g	Mass
C _r	18700 N	Basic dynamic load rating, radial
C _{0r}	23600 N	Basic static load rating, radial
C _{ur}	4150 N	Fatigue limit load, radial
n _G	21600 1/min	Limiting speed
n _B	13400 1/min	Reference speed

NK20/16



Figure 2

F _w	20 mm	
D	28 mm	
C	16 mm	
r _{min}	0,3 mm	
m	27 g	Mass
C _r	14600 N	Basic dynamic load rating, radial
C _{0r}	17500 N	Basic static load rating, radial
C _{ur}	3200 N	Fatigue limit load, radial
n _G	21100 1/min	Limiting speed
n _B	13200 1/min	Reference speed

NK20/20



Figure 2

F _w	20 mm	
D	28 mm	
C	20 mm	
r _{min}	0,3 mm	
m	33,9 g	Mass
C _r	18600 N	Basic dynamic load rating, radial
C _{0r}	23800 N	Basic static load rating, radial
C _{ur}	4150 N	Fatigue limit load, radial
n _G	21100 1/min	Limiting speed
n _B	12900 1/min	Reference speed

NK21/16



Figure 2

F _w	21 mm	
D	29 mm	
C	16 mm	
r _{min}	0,3 mm	
m	28,1 g	Mass
C _r	15200 N	Basic dynamic load rating, radial
C _{0r}	18700 N	Basic static load rating, radial
C _{ur}	3450 N	Fatigue limit load, radial
n _G	20600 1/min	Limiting speed
n _B	12600 1/min	Reference speed

NK21/20



Figure 2

F _w	21 mm	
D	29 mm	
C	20 mm	
r _{min}	0,3 mm	
m	35,2 g	Mass
C _r	19300 N	Basic dynamic load rating, radial
C _{0r}	25500 N	Basic static load rating, radial
C _{ur}	4450 N	Fatigue limit load, radial
n _G	20600 1/min	Limiting speed
n _B	12300 1/min	Reference speed

NK22/16



Figure 2

F _w	22 mm	
D	30 mm	
C	16 mm	
r _{min}	0,3 mm	
m	30 g	Mass
C _r	15800 N	Basic dynamic load rating, radial
C _{0r}	19900 N	Basic static load rating, radial
C _{ur}	3650 N	Fatigue limit load, radial
n _G	20000 1/min	Limiting speed
n _B	12000 1/min	Reference speed

NK22/20



Figure 2

F _w	22 mm	
D	30 mm	
C	20 mm	
r _{min}	0,3 mm	
m	37 g	Mass
C _r	20000 N	Basic dynamic load rating, radial
C _{0r}	27000 N	Basic static load rating, radial
C _{ur}	4700 N	Fatigue limit load, radial
n _G	20000 1/min	Limiting speed
n _B	11700 1/min	Reference speed

NK24/16



Figure 2

F _w	24 mm	
D	32 mm	
C	16 mm	
r _{min}	0,3 mm	
m	31,9 g	Mass
C _r	16900 N	Basic dynamic load rating, radial
C _{0r}	22300 N	Basic static load rating, radial
C _{ur}	4100 N	Fatigue limit load, radial
n _G	18500 1/min	Limiting speed
n _B	11000 1/min	Reference speed

NK24/20



Figure 2

F _w	24 mm	
D	32 mm	
C	20 mm	
r _{min}	0,3 mm	
m	40 g	Mass
C _r	21400 N	Basic dynamic load rating, radial
C _{0r}	30500 N	Basic static load rating, radial
C _{ur}	5300 N	Fatigue limit load, radial
n _G	18500 1/min	Limiting speed
n _B	10700 1/min	Reference speed

NK25/16



Figure 2

F _w	25 mm	
D	33 mm	
C	16 mm	
r _{min}	0,3 mm	
m	32,6 g	Mass
C _r	16800 N	Basic dynamic load rating, radial
C _{0r}	22400 N	Basic static load rating, radial
C _{ur}	4150 N	Fatigue limit load, radial
n _G	17800 1/min	Limiting speed
n _B	10700 1/min	Reference speed

NK25/20



Figure 2

F _w	25 mm	
D	33 mm	
C	20 mm	
r _{min}	0,3 mm	
m	42 g	Mass
C _r	21300 N	Basic dynamic load rating, radial
C _{0r}	30500 N	Basic static load rating, radial
C _{ur}	5300 N	Fatigue limit load, radial
n _G	17800 1/min	Limiting speed
n _B	10400 1/min	Reference speed

NK26/16



Figure 2

F _w	26 mm	
D	34 mm	
C	16 mm	
r _{min}	0,3 mm	
m	34 g	Mass
C _r	17300 N	Basic dynamic load rating, radial
C _{0r}	23600 N	Basic static load rating, radial
C _{ur}	4350 N	Fatigue limit load, radial
n _G	17200 1/min	Limiting speed
n _B	10300 1/min	Reference speed

NK26/20



Figure 2

F _w	26 mm	
D	34 mm	
C	20 mm	
r _{min}	0,3 mm	
m	42 g	Mass
C _r	22000 N	Basic dynamic load rating, radial
C _{0r}	32000 N	Basic static load rating, radial
C _{ur}	5600 N	Fatigue limit load, radial
n _G	17200 1/min	Limiting speed
n _B	10100 1/min	Reference speed

NK28/20



Figure 2

F _w	28 mm	
D	37 mm	
C	20 mm	
r _{min}	0,3 mm	
m	52,2 g	Mass
C _r	24800 N	Basic dynamic load rating, radial
C _{0r}	34000 N	Basic static load rating, radial
C _{ur}	5900 N	Fatigue limit load, radial
n _G	15800 1/min	Limiting speed
n _B	9300 1/min	Reference speed

NK28/30



Figure 2

F _w	28 mm	
D	37 mm	
C	30 mm	
r _{min}	0,3 mm	
m	82 g	Mass
C _r	37000 N	Basic dynamic load rating, radial
C _{0r}	57000 N	Basic static load rating, radial
C _{ur}	10500 N	Fatigue limit load, radial
n _G	15800 1/min	Limiting speed
n _B	9000 1/min	Reference speed

NK29/20-TV



Figure 2

F _w	29 mm	
D	38 mm	
C	20 mm	
r _{min}	0,3 mm	
m	50 g	Mass
C _r	27500 N	Basic dynamic load rating, radial
C _{0r}	39000 N	Basic static load rating, radial
C _{ur}	6900 N	Fatigue limit load, radial
n _G	15300 1/min	Limiting speed
n _B	8700 1/min	Reference speed

NK29/30



Figure 2

F _w	29 mm	
D	38 mm	
C	30 mm	
r _{min}	0,3 mm	
m	84,3 g	Mass
C _r	37000 N	Basic dynamic load rating, radial
C _{0r}	57000 N	Basic static load rating, radial
C _{ur}	10600 N	Fatigue limit load, radial
n _G	15300 1/min	Limiting speed
n _B	8800 1/min	Reference speed

NK30/20-TV



Figure 2

F _w	30 mm	
D	40 mm	
C	20 mm	
r _{min}	0,3 mm	
m	61 g	Mass
C _r	28000 N	Basic dynamic load rating, radial
C _{0r}	41000 N	Basic static load rating, radial
C _{ur}	7200 N	Fatigue limit load, radial
n _G	14800 1/min	Limiting speed
n _B	8500 1/min	Reference speed

NK30/30-TV



Figure 2

F _w	30 mm	
D	40 mm	
C	30 mm	
r _{min}	0,3 mm	
m	92,4 g	Mass
C _r	42000 N	Basic dynamic load rating, radial
C _{0r}	69000 N	Basic static load rating, radial
C _{ur}	12700 N	Fatigue limit load, radial
n _G	14800 1/min	Limiting speed
n _B	8200 1/min	Reference speed

NK32/20-TV



Figure 2

F _w	32 mm	
D	42 mm	
C	20 mm	
r _{min}	0,3 mm	
m	64 g	Mass
C _r	29500 N	Basic dynamic load rating, radial
C _{0r}	44500 N	Basic static load rating, radial
C _{ur}	7800 N	Fatigue limit load, radial
n _G	14000 1/min	Limiting speed
n _B	8000 1/min	Reference speed

NK32/30



Figure 2

F _w	32 mm	
D	42 mm	
C	30 mm	
r _{min}	0,3 mm	
m	102 g	Mass
C _r	39000 N	Basic dynamic load rating, radial
C _{0r}	63000 N	Basic static load rating, radial
C _{ur}	11700 N	Fatigue limit load, radial
n _G	14000 1/min	Limiting speed
n _B	9300 1/min	Reference speed

NK35/20-TV



Figure 2

F _w	35 mm	
D	45 mm	
C	20 mm	
r _{min}	0,3 mm	
m	69,4 g	Mass
C _r	31000 N	Basic dynamic load rating, radial
C _{0r}	48500 N	Basic static load rating, radial
C _{ur}	8500 N	Fatigue limit load, radial
n _G	12900 1/min	Limiting speed
n _B	7400 1/min	Reference speed

NK35/30-TV



Figure 2

F _w	35 mm	
D	45 mm	
C	30 mm	
r _{min}	0,3 mm	
m	106 g	Mass
C _r	46000 N	Basic dynamic load rating, radial
C _{0r}	81000 N	Basic static load rating, radial
C _{ur}	15000 N	Fatigue limit load, radial
n _G	12300 1/min	Limiting speed
n _B	6600 1/min	Reference speed

NK37/20



Figure 2

F _w	37 mm	
D	47 mm	
C	20 mm	
r _{min}	0,3 mm	
m	77 g	Mass
C _r	28000 N	Basic dynamic load rating, radial
C _{0r}	43500 N	Basic static load rating, radial
C _{ur}	7600 N	Fatigue limit load, radial
n _G	12300 1/min	Limiting speed
n _B	7400 1/min	Reference speed

NK37/30



Figure 2

F _w	37 mm	
D	47 mm	
C	30 mm	
r _{min}	0,3 mm	
m	113 g	Mass
C _r	42000 N	Basic dynamic load rating, radial
C _{0r}	73000 N	Basic static load rating, radial
C _{ur}	13500 N	Fatigue limit load, radial
n _G	12300 1/min	Limiting speed
n _B	7200 1/min	Reference speed

NK38/20



Figure 2

F _w	38 mm	
D	48 mm	
C	20 mm	
r _{min}	0,3 mm	
m	79,4 g	Mass
C _r	29000 N	Basic dynamic load rating, radial
C _{0r}	45000 N	Basic static load rating, radial
C _{ur}	7900 N	Fatigue limit load, radial
n _G	12000 1/min	Limiting speed
n _B	7200 1/min	Reference speed

NK38/30



Figure 2

F _w	38 mm	
D	48 mm	
C	30 mm	
r _{min}	0,3 mm	
m	116 g	Mass
C _r	43000 N	Basic dynamic load rating, radial
C _{0r}	76000 N	Basic static load rating, radial
C _{ur}	14000 N	Fatigue limit load, radial
n _G	12000 1/min	Limiting speed
n _B	7000 1/min	Reference speed

NK40/20-TV



Figure 2

F _w	40 mm	
D	50 mm	
C	20 mm	
r _{min}	0,3 mm	
m	78 g	Mass
C _r	33500 N	Basic dynamic load rating, radial
C _{0r}	56000 N	Basic static load rating, radial
C _{ur}	9800 N	Fatigue limit load, radial
n _G	11400 1/min	Limiting speed
n _B	6500 1/min	Reference speed

NK40/30



Figure 2

F _w	40 mm	
D	50 mm	
C	30 mm	
r _{min}	0,3 mm	
m	125 g	Mass
C _r	44000 N	Basic dynamic load rating, radial
C _{0r}	79000 N	Basic static load rating, radial
C _{ur}	14600 N	Fatigue limit load, radial
n _G	11400 1/min	Limiting speed
n _B	6700 1/min	Reference speed

NK42/20



Figure 2

F _w	42 mm	
D	52 mm	
C	20 mm	
r _{min}	0,3 mm	
m	85,8 g	Mass
C _r	30000 N	Basic dynamic load rating, radial
C _{0r}	49000 N	Basic static load rating, radial
C _{ur}	8600 N	Fatigue limit load, radial
n _G	10900 1/min	Limiting speed
n _B	6600 1/min	Reference speed

NK42/30



Figure 2

F _w	42 mm	
D	52 mm	
C	30 mm	
r _{min}	0,3 mm	
m	130 g	Mass
C _r	44500 N	Basic dynamic load rating, radial
C _{0r}	82000 N	Basic static load rating, radial
C _{ur}	15200 N	Fatigue limit load, radial
n _G	10900 1/min	Limiting speed
n _B	6400 1/min	Reference speed

NK43/20



Figure 2

F _w	43 mm	
D	53 mm	
C	20 mm	
r _{min}	0,3 mm	
m	86 g	Mass
C _r	30500 N	Basic dynamic load rating, radial
C _{0r}	51000 N	Basic static load rating, radial
C _{ur}	8900 N	Fatigue limit load, radial
n _G	10700 1/min	Limiting speed
n _B	6500 1/min	Reference speed

NK43/30



Figure 2

F _w	43 mm	
D	53 mm	
C	30 mm	
r _{min}	0,3 mm	
m	133 g	Mass
C _r	45500 N	Basic dynamic load rating, radial
C _{0r}	85000 N	Basic static load rating, radial
C _{ur}	15800 N	Fatigue limit load, radial
n _G	10700 1/min	Limiting speed
n _B	6300 1/min	Reference speed

NK45/20-TV



Figure 2

F _w	45 mm	
D	55 mm	
C	20 mm	
r _{min}	0,3 mm	
m	85,3 g	Mass
C _r	35000 N	Basic dynamic load rating, radial
C _{0r}	62000 N	Basic static load rating, radial
C _{ur}	10800 N	Fatigue limit load, radial
n _G	10200 1/min	Limiting speed
n _B	5900 1/min	Reference speed

NK45/30-TV



Figure 2

F _w	45 mm	
D	55 mm	
C	30 mm	
r _{min}	0,3 mm	
m	132 g	Mass
C _r	52000 N	Basic dynamic load rating, radial
C _{0r}	103000 N	Basic static load rating, radial
C _{ur}	19100 N	Fatigue limit load, radial
n _G	9800 1/min	Limiting speed
n _B	5400 1/min	Reference speed

NK47/20



Figure 2

F _w	47 mm	
D	57 mm	
C	20 mm	
r _{min}	0,3 mm	
m	94,5 g	Mass
C _r	32500 N	Basic dynamic load rating, radial
C _{0r}	56000 N	Basic static load rating, radial
C _{ur}	9900 N	Fatigue limit load, radial
n _G	9800 1/min	Limiting speed
n _B	6000 1/min	Reference speed

NK47/30



Figure 2

F _w	47 mm	
D	57 mm	
C	30 mm	
r _{min}	0,3 mm	
m	142 g	Mass
C _r	48500 N	Basic dynamic load rating, radial
C _{0r}	94000 N	Basic static load rating, radial
C _{ur}	17500 N	Fatigue limit load, radial
n _G	9800 1/min	Limiting speed
n _B	5800 1/min	Reference speed

NK50/25-TV



Figure 2

F _w	50 mm	
D	62 mm	
C	25 mm	
r _{min}	0,6 mm	
m	146 g	Mass
C _r	48500 N	Basic dynamic load rating, radial
C _{0r}	87000 N	Basic static load rating, radial
C _{ur}	14800 N	Fatigue limit load, radial
n _G	9200 1/min	Limiting speed
n _B	5700 1/min	Reference speed

NK50/35-TV



Figure 2

F _w	50 mm	
D	62 mm	
C	35 mm	
r _{min}	0,6 mm	
m	207 g	Mass
C _r	67000 N	Basic dynamic load rating, radial
C _{0r}	132000 N	Basic static load rating, radial
C _{ur}	23900 N	Fatigue limit load, radial
n _G	8800 1/min	Limiting speed
n _B	4900 1/min	Reference speed

NK55/25



Figure 2

F _w	55 mm	
D	68 mm	
C	25 mm	
r _{min}	0,6 mm	
m	180 g	Mass
C _r	45500 N	Basic dynamic load rating, radial
C _{0r}	82000 N	Basic static load rating, radial
C _{ur}	14000 N	Fatigue limit load, radial
n _G	8400 1/min	Limiting speed
n _B	5200 1/min	Reference speed

NK55/35



Figure 2

F _w	55 mm	
D	68 mm	
C	35 mm	
r _{min}	0,6 mm	
m	250 g	Mass
C _r	60000 N	Basic dynamic load rating, radial
C _{0r}	118000 N	Basic static load rating, radial
C _{ur}	21300 N	Fatigue limit load, radial
n _G	8400 1/min	Limiting speed
n _B	5200 1/min	Reference speed

NK60/25-TV



Figure 2

F _w	60 mm	
D	72 mm	
C	25 mm	
r _{min}	0,6 mm	
m	170 g	Mass
C _r	53000 N	Basic dynamic load rating, radial
C _{0r}	103000 N	Basic static load rating, radial
C _{ur}	17500 N	Fatigue limit load, radial
n _G	7400 1/min	Limiting speed
n _B	4350 1/min	Reference speed

NK60/35



Figure 2

F _w	60 mm	
D	72 mm	
C	35 mm	
r _{min}	0,6 mm	
m	258 g	Mass
C _r	63000 N	Basic dynamic load rating, radial
C _{0r}	130000 N	Basic static load rating, radial
C _{ur}	23500 N	Fatigue limit load, radial
n _G	7700 1/min	Limiting speed
n _B	4800 1/min	Reference speed

NK65/25



Figure 2

F _w	65 mm	
D	78 mm	
C	25 mm	
r _{min}	0,6 mm	
m	221 g	Mass
C _r	50000 N	Basic dynamic load rating, radial
C _{0r}	98000 N	Basic static load rating, radial
C _{ur}	16700 N	Fatigue limit load, radial
n _G	7200 1/min	Limiting speed
n _B	4500 1/min	Reference speed

NK65/35



Figure 2

F _w	65 mm	
D	78 mm	
C	35 mm	
r _{min}	0,6 mm	
m	310 g	Mass
C _r	66000 N	Basic dynamic load rating, radial
C _{0r}	142000 N	Basic static load rating, radial
C _{ur}	25500 N	Fatigue limit load, radial
n _G	7200 1/min	Limiting speed
n _B	4450 1/min	Reference speed

NK68/25



Figure 2

F _w	68 mm	
D	82 mm	
C	25 mm	
r _{min}	0,6 mm	
m	241 g	Mass
C _r	49500 N	Basic dynamic load rating, radial
C _{0r}	89000 N	Basic static load rating, radial
C _{ur}	15200 N	Fatigue limit load, radial
n _G	6800 1/min	Limiting speed
n _B	4500 1/min	Reference speed

NK68/35



Figure 2

F _w	68 mm	
D	82 mm	
C	35 mm	
r _{min}	0,6 mm	
m	338 g	Mass
C _r	70000 N	Basic dynamic load rating, radial
C _{0r}	139000 N	Basic static load rating, radial
C _{ur}	25500 N	Fatigue limit load, radial
n _G	6800 1/min	Limiting speed
n _B	4350 1/min	Reference speed

NK70/25



Figure 2

F _w	70 mm	
D	85 mm	
C	25 mm	
r _{min}	0,6 mm	
m	260 g	Mass
C _r	50000 N	Basic dynamic load rating, radial
C _{0r}	92000 N	Basic static load rating, radial
C _{ur}	15700 N	Fatigue limit load, radial
n _G	6600 1/min	Limiting speed
n _B	4450 1/min	Reference speed

NK70/35



Figure 2

F _w	70 mm	
D	85 mm	
C	35 mm	
r _{min}	0,6 mm	
m	370 g	Mass
C _r	71000 N	Basic dynamic load rating, radial
C _{0r}	144000 N	Basic static load rating, radial
C _{ur}	26500 N	Fatigue limit load, radial
n _G	6600 1/min	Limiting speed
n _B	4300 1/min	Reference speed

NK73/25



Figure 2

F _w	73 mm	
D	90 mm	
C	25 mm	
r _{min}	1 mm	
m	302 g	Mass
C _r	60000 N	Basic dynamic load rating, radial
C _{0r}	100000 N	Basic static load rating, radial
C _{ur}	17500 N	Fatigue limit load, radial
n _G	6300 1/min	Limiting speed
n _B	4150 1/min	Reference speed

NK73/35



Figure 2

F _w	73 mm	
D	90 mm	
C	35 mm	
r _{min}	1 mm	
m	428 g	Mass
C _r	85000 N	Basic dynamic load rating, radial
C _{0r}	156000 N	Basic static load rating, radial
C _{ur}	27000 N	Fatigue limit load, radial
n _G	6300 1/min	Limiting speed
n _B	4050 1/min	Reference speed

NK75/25



Figure 2

F _w	75 mm	
D	92 mm	
C	25 mm	
r _{min}	1 mm	
m	315 g	Mass
C _r	61000 N	Basic dynamic load rating, radial
C _{0r}	104000 N	Basic static load rating, radial
C _{ur}	18200 N	Fatigue limit load, radial
n _G	6100 1/min	Limiting speed
n _B	4050 1/min	Reference speed

NK75/35



Figure 2

F _w	75 mm	
D	92 mm	
C	35 mm	
r _{min}	1 mm	
m	445 g	Mass
C _r	87000 N	Basic dynamic load rating, radial
C _{0r}	162000 N	Basic static load rating, radial
C _{ur}	28000 N	Fatigue limit load, radial
n _G	6100 1/min	Limiting speed
n _B	3950 1/min	Reference speed

NK80/25



Figure 2

F _w	80 mm	
D	95 mm	
C	25 mm	
r _{min}	1 mm	
m	301 g	Mass
C _r	63000 N	Basic dynamic load rating, radial
C _{0r}	119000 N	Basic static load rating, radial
C _{ur}	19700 N	Fatigue limit load, radial
n _G	5800 1/min	Limiting speed
n _B	3750 1/min	Reference speed

NK80/35



Figure 2

F _w	80 mm	
D	95 mm	
C	35 mm	
r _{min}	1 mm	
m	425 g	Mass
C _r	89000 N	Basic dynamic load rating, radial
C _{0r}	184000 N	Basic static load rating, radial
C _{ur}	32500 N	Fatigue limit load, radial
n _G	5800 1/min	Limiting speed
n _B	3650 1/min	Reference speed

NK85/25



Figure 2

F _w	85 mm	
D	105 mm	
C	25 mm	
r _{min}	1 mm	
m	425 g	Mass
C _r	78000 N	Basic dynamic load rating, radial
C _{0r}	123000 N	Basic static load rating, radial
C _{ur}	21700 N	Fatigue limit load, radial
n _G	5400 1/min	Limiting speed
n _B	3550 1/min	Reference speed

NK85/35



Figure 2

F _w	85 mm	
D	105 mm	
C	35 mm	
r _{min}	1 mm	
m	600 g	Mass
C _r	111000 N	Basic dynamic load rating, radial
C _{0r}	193000 N	Basic static load rating, radial
C _{ur}	34500 N	Fatigue limit load, radial
n _G	5400 1/min	Limiting speed
n _B	3450 1/min	Reference speed

NK90/25



Figure 2

F _w	90 mm	
D	110 mm	
C	25 mm	
r _{min}	1 mm	
m	450 g	Mass
C _r	81000 N	Basic dynamic load rating, radial
C _{0r}	132000 N	Basic static load rating, radial
C _{ur}	23300 N	Fatigue limit load, radial
n _G	5100 1/min	Limiting speed
n _B	3400 1/min	Reference speed

NK90/35



Figure 2

F _w	90 mm	
D	110 mm	
C	35 mm	
r _{min}	1 mm	
m	630 g	Mass
C _r	116000 N	Basic dynamic load rating, radial
C _{0r}	208000 N	Basic static load rating, radial
C _{ur}	37000 N	Fatigue limit load, radial
n _G	5100 1/min	Limiting speed
n _B	3250 1/min	Reference speed

NK95/26



Figure 2

F _w	95 mm	
D	115 mm	
C	26 mm	
r _{min}	1 mm	
m	490 g	Mass
C _r	83000 N	Basic dynamic load rating, radial
C _{0r}	137000 N	Basic static load rating, radial
C _{ur}	24000 N	Fatigue limit load, radial
n _G	4850 1/min	Limiting speed
n _B	3300 1/min	Reference speed

NK95/36



Figure 2

F _w	95 mm	
D	115 mm	
C	36 mm	
r _{min}	1 mm	
m	680 g	Mass
C _r	121000 N	Basic dynamic load rating, radial
C _{0r}	223000 N	Basic static load rating, radial
C _{ur}	39500 N	Fatigue limit load, radial
n _G	4850 1/min	Limiting speed
n _B	3150 1/min	Reference speed

NK100/26



Figure 2

F _w	100 mm	
D	120 mm	
C	26 mm	
r _{min}	1 mm	
m	515 g	Mass
C _r	86000 N	Basic dynamic load rating, radial
C _{0r}	146000 N	Basic static load rating, radial
C _{ur}	25000 N	Fatigue limit load, radial
n _G	4600 1/min	Limiting speed
n _B	3150 1/min	Reference speed

NK100/36



Figure 2

F _w	100 mm	
D	120 mm	
C	36 mm	
r _{min}	1 mm	
m	715 g	Mass
C _r	125000 N	Basic dynamic load rating, radial
C _{0r}	237000 N	Basic static load rating, radial
C _{ur}	41500 N	Fatigue limit load, radial
n _G	4600 1/min	Limiting speed
n _B	3000 1/min	Reference speed

NK105/26



Figure 2

F _w	105 mm	
D	125 mm	
C	26 mm	
r _{min}	1 mm	
m	540 g	Mass
C _r	89000 N	Basic dynamic load rating, radial
C _{0r}	155000 N	Basic static load rating, radial
C _{ur}	26500 N	Fatigue limit load, radial
n _G	4400 1/min	Limiting speed
n _B	3050 1/min	Reference speed

NK105/36



Figure 2

F _w	105 mm	
D	125 mm	
C	36 mm	
r _{min}	1 mm	
m	713 g	Mass
C _r	129000 N	Basic dynamic load rating, radial
C _{0r}	250000 N	Basic static load rating, radial
C _{ur}	43500 N	Fatigue limit load, radial
n _G	4400 1/min	Limiting speed
n _B	2850 1/min	Reference speed

NK110/30



Figure 2

F _w	110 mm	
D	130 mm	
C	30 mm	
r _{min}	1,1 mm	
m	650 g	Mass
C _r	111000 N	Basic dynamic load rating, radial
C _{0r}	210000 N	Basic static load rating, radial
C _{ur}	35500 N	Fatigue limit load, radial
n _G	4200 1/min	Limiting speed
n _B	2800 1/min	Reference speed

NK110/40



Figure 2

F _w	110 mm	
D	130 mm	
C	40 mm	
r _{min}	1,1 mm	
m	830 g	Mass
C _r	143000 N	Basic dynamic load rating, radial
C _{0r}	290000 N	Basic static load rating, radial
C _{ur}	50000 N	Fatigue limit load, radial
n _G	4200 1/min	Limiting speed
n _B	2750 1/min	Reference speed