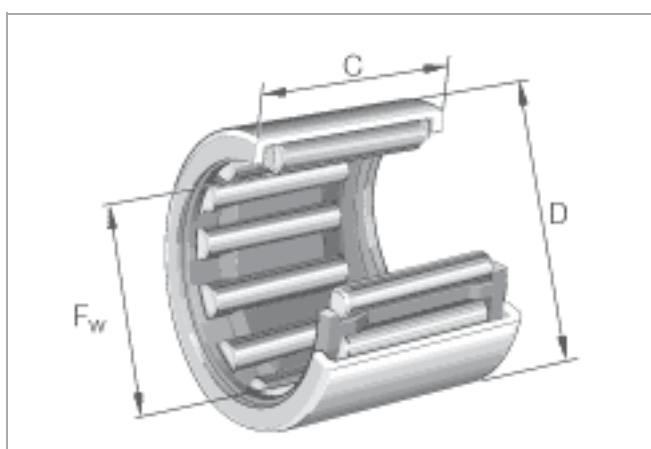




Drawn cup needle roller bearings with open ends HK

to DIN 618-1/ISO 3245

The datasheet is only an overview of dimensions and basic load ratings for the selected series. Please ensure that you note all the guidance in these overview pages. Further information is given on many products under the menu item "Description". You can also obtain comprehensive information material via Catalogue selection (<http://www.ina.de/content.ina.de/en/services/mediathek/library/library.jsp>), by e-mail (kataloge@de.ina.com) or telephone +49 (91 32) 82 - 28 97.



	F _w mm	D mm	C mm
HK0205-TV	2	4,6	5
HK0306-TV	3	6,5	6
HK0408	4	8	8
HK0509	5	9	9
HK0606	6	10	6
HK0608	6	10	8
HK0609	6	10	9
HK0709	7	11	9
HK0808	8	12	8
HK0810	8	12	10
HK0908	9	13	8
HK0910	9	13	10
HK0912	9	13	12
	F _w mm	D mm	C mm



	F _w mm	D mm	C mm	
HK1010		10	14	10
HK1012		10	14	12
HK1015		10	14	15
HK1210		12	16	10
HK1212		12	18	12
HK1312		13	19	12
HK1412		14	20	12
HK1512		15	21	12
HK1516		15	21	16
HK1522-ZW		15	21	22
HK1612		16	22	12
HK1616		16	22	16
HK1622-ZW		16	22	22
HK1712		17	23	12
HK1812		18	24	12
HK1816		18	24	16
HK2010		20	26	10
HK2012		20	26	12
HK2016		20	26	16
HK2020		20	26	20
HK2030-ZW		20	26	30
HK2210		22	28	10
HK2212		22	28	12
HK2216		22	28	16
HK2220		22	28	20
HK2512		25	32	12
HK2516		25	32	16
HK2520		25	32	20
HK2526		25	32	26
HK2538-ZW		25	32	38
HK2816		28	35	16
HK2820		28	35	20
HK3012		30	37	12
	F _w mm	D mm	C mm	



	F _w mm	D mm	C mm	
HK3016		30	37	16
HK3020		30	37	20
HK3022		30	37	22
HK3026		30	37	26
HK3038-ZW		30	37	38
HK3220		32	39	20
HK3224		32	39	24
HK3512		35	42	12
HK3516		35	42	16
HK3520		35	42	20
HK4012		40	47	12
HK4016		40	47	16
HK4020		40	47	20
HK4512		45	52	12
HK4516		45	52	16
HK4520		45	52	20
HK5020		50	58	20
HK5025		50	58	25
HK5520		55	63	20
HK5528		55	63	28
HK6012		60	68	12
HK6020		60	68	20
HK6032		60	68	32
	F _w mm	D mm	C mm	

Figure 1

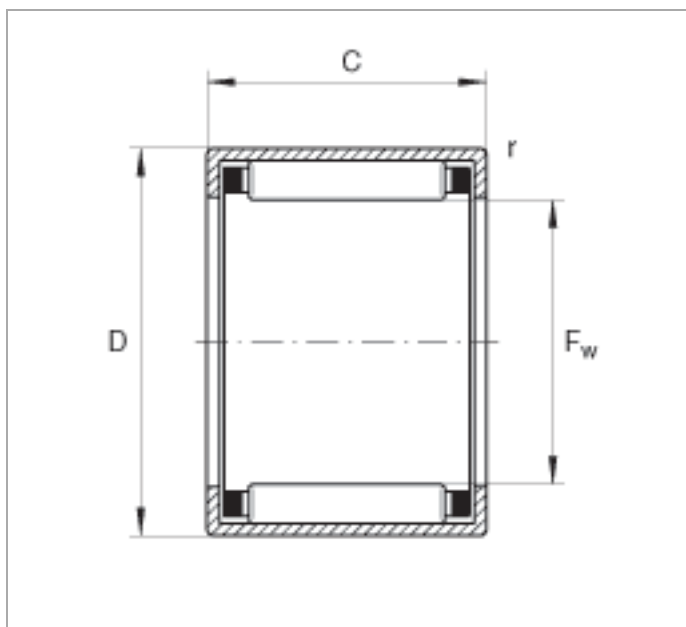
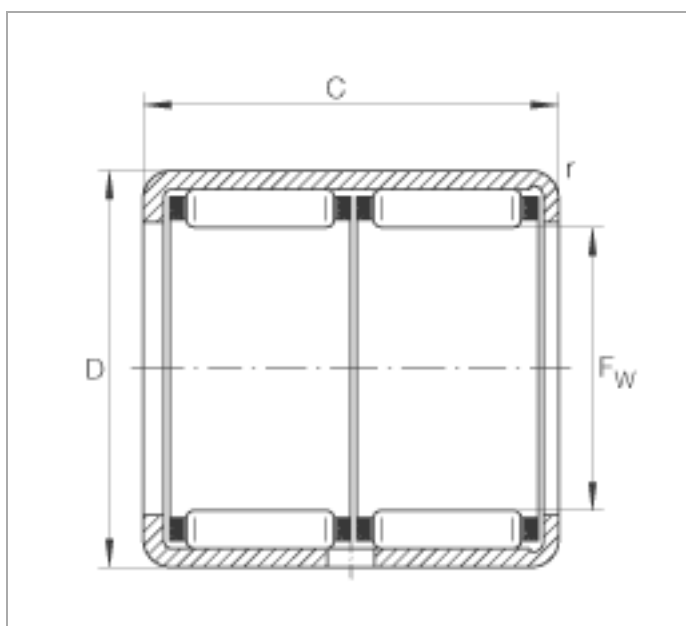


Figure 2



HK0205-TV

Figure 1

F _w	2 mm	
D	4,6 mm	
C	5 mm	Tolerance: -0,3
r _{min}	0,3 mm	
m	0,3 g	Mass
C _r	465 N	Basic dynamic load rating, radial
C _{0r}	265 N	Basic static load rating, radial
C _{ur}	28,5 N	Fatigue limit load, radial
n _G	58000 1/min	Limiting speed
n _B	93000 1/min	Reference speed
		Not available with lubrication hole.

HK0306-TV

Figure 1

F _w	3 mm	
D	6,5 mm	
C	6 mm	Tolerance: -0,3
r _{min}	0,3 mm	
m	1 g	Mass
C _r	1230 N	Basic dynamic load rating, radial
C _{0r}	840 N	Basic static load rating, radial
C _{ur}	113 N	Fatigue limit load, radial
n _G	48000 1/min	Limiting speed
n _B	57000 1/min	Reference speed
		Not available with lubrication hole.

HK0408

Figure 1

F _w	4 mm	
D	8 mm	
C	8 mm	Tolerance: -0,3
r _{min}	0,3 mm	
m	2 g	Mass
C _r	1780 N	Basic dynamic load rating, radial
C _{0r}	1310 N	Basic static load rating, radial
C _{ur}	144 N	Fatigue limit load, radial
n _G	42500 1/min	Limiting speed
n _B	44500 1/min	Reference speed
		Not available with lubrication hole.

HK0509

Figure 1

F _w	5 mm	
D	9 mm	
C	9 mm	Tolerance: -0,3
r _{min}	0,4 mm	
m	2 g	Mass
C _r	2400 N	Basic dynamic load rating, radial
C _{0r}	1990 N	Basic static load rating, radial
C _{ur}	239 N	Fatigue limit load, radial
n _G	39000 1/min	Limiting speed
n _B	36500 1/min	Reference speed
		Not available with lubrication hole.

HK0606

Figure 1

F _w	6 mm	
D	10 mm	
C	6 mm	Tolerance: -0,3
r _{min}	0,4 mm	
m	1,5 g	Mass
C _r	1610 N	Basic dynamic load rating, radial
C _{0r}	1220 N	Basic static load rating, radial
C _{ur}	167 N	Fatigue limit load, radial
n _G	36500 1/min	Limiting speed
n _B	31500 1/min	Reference speed
		Not available with lubrication hole.

HK0608

Figure 1

F _w	6 mm	
D	10 mm	
C	8 mm	Tolerance: -0,3
r _{min}	0,4 mm	
m	2,1 g	Mass
C _r	2030 N	Basic dynamic load rating, radial
C _{0r}	1650 N	Basic static load rating, radial
C _{ur}	184 N	Fatigue limit load, radial
n _G	36500 1/min	Limiting speed
n _B	31500 1/min	Reference speed
		Not available with lubrication hole.

HK0609

Figure 1

F _w	6 mm	
D	10 mm	
C	9 mm	Tolerance: -0,3
r _{min}	0,4 mm	
m	2,5 g	Mass
C _r	2850 N	Basic dynamic load rating, radial
C _{0r}	2600 N	Basic static load rating, radial
C _{ur}	310 N	Fatigue limit load, radial
n _G	36500 1/min	Limiting speed
n _B	30500 1/min	Reference speed

HK0709

Figure 1

F _w	7 mm	
D	11 mm	
C	9 mm	Tolerance: -0,3
r _{min}	0,4 mm	
m	2,6 g	Mass
C _r	3100 N	Basic dynamic load rating, radial
C _{0r}	2950 N	Basic static load rating, radial
C _{ur}	355 N	Fatigue limit load, radial
n _G	33000 1/min	Limiting speed
n _B	26500 1/min	Reference speed

HK0808

Figure 1

F _w	8 mm	
D	12 mm	
C	8 mm	Tolerance: -0,3
r _{min}	0,4 mm	
m	2,7 g	Mass
C _r	2750 N	Basic dynamic load rating, radial
C _{0r}	2600 N	Basic static load rating, radial
C _{ur}	290 N	Fatigue limit load, radial
n _G	29500 1/min	Limiting speed
n _B	23800 1/min	Reference speed

HK0810

Figure 1

F _w	8 mm	
D	12 mm	
C	10 mm	Tolerance: -0,3
r _{min}	0,4 mm	
m	3 g	Mass
C _r	3800 N	Basic dynamic load rating, radial
C _{0r}	3950 N	Basic static load rating, radial
C _{ur}	500 N	Fatigue limit load, radial
n _G	29500 1/min	Limiting speed
n _B	23200 1/min	Reference speed
	IR5X8x12	Suitable inner ring

HK0908

Figure 1

F _w	9 mm	
D	13 mm	
C	8 mm	Tolerance: -0,3
r _{min}	0,4 mm	
m	3 g	Mass
C _r	3550 N	Basic dynamic load rating, radial
C _{0r}	3750 N	Basic static load rating, radial
C _{ur}	440 N	Fatigue limit load, radial
n _G	26500 1/min	Limiting speed
n _B	20600 1/min	Reference speed

HK0910

Figure 1

F _w	9 mm	
D	13 mm	
C	10 mm	Tolerance: -0,3
r _{min}	0,4 mm	
m	4 g	Mass
C _r	4250 N	Basic dynamic load rating, radial
C _{0r}	4650 N	Basic static load rating, radial
C _{ur}	600 N	Fatigue limit load, radial
n _G	26500 1/min	Limiting speed
n _B	20600 1/min	Reference speed

HK0912

Figure 1

F _w	9 mm	
D	13 mm	
C	12 mm	Tolerance: -0,3
r _{min}	0,4 mm	
m	4,6 g	Mass
C _r	5300 N	Basic dynamic load rating, radial
C _{0r}	6300 N	Basic static load rating, radial
C _{ur}	860 N	Fatigue limit load, radial
n _G	26500 1/min	Limiting speed
n _B	20200 1/min	Reference speed
	IR6X9x12	Suitable inner ring

HK1010

Figure 1

F _w	10 mm	
D	14 mm	
C	10 mm	Tolerance: -0,3
r _{min}	0,4 mm	
m	4,1 g	Mass
C _r	4400 N	Basic dynamic load rating, radial
C _{0r}	5100 N	Basic static load rating, radial
C _{ur}	650 N	Fatigue limit load, radial
n _G	24300 1/min	Limiting speed
n _B	18700 1/min	Reference speed
	LR7X10x10,5	Suitable inner ring
	IR7X10x10,5	Suitable inner ring

HK1012

Figure 1

F _w	10 mm	
D	14 mm	
C	12 mm	Tolerance: -0,3
r _{min}	0,4 mm	
m	4,8 g	Mass
C _r	5500 N	Basic dynamic load rating, radial
C _{0r}	6800 N	Basic static load rating, radial
C _{ur}	930 N	Fatigue limit load, radial
n _G	24300 1/min	Limiting speed
n _B	18400 1/min	Reference speed
	IR7X10x12	Suitable inner ring

HK1015

Figure 1

F _w	10 mm	
D	14 mm	
C	15 mm	Tolerance: -0,3
r _{min}	0,4 mm	
m	6 g	Mass
C _r	6800 N	Basic dynamic load rating, radial
C _{0r}	8800 N	Basic static load rating, radial
C _{ur}	1210 N	Fatigue limit load, radial
n _G	24300 1/min	Limiting speed
n _B	18200 1/min	Reference speed
	IR7X10x16	Suitable inner ring

HK1210

Figure 1

F _w	12 mm	
D	16 mm	
C	10 mm	Tolerance: -0,3
r _{min}	0,4 mm	
m	4,6 g	Mass
C _r	4950 N	Basic dynamic load rating, radial
C _{0r}	6200 N	Basic static load rating, radial
C _{ur}	800 N	Fatigue limit load, radial
n _G	20700 1/min	Limiting speed
n _B	15700 1/min	Reference speed
	LR8X12x10,5	Suitable inner ring
	IR8X12x10,5	Suitable inner ring

HK1212

Figure 1

F _w	12 mm	
D	18 mm	
C	12 mm	Tolerance: -0,3
r _{min}	0,8 mm	
m	9 g	Mass
C _r	6500 N	Basic dynamic load rating, radial
C _{0r}	7300 N	Basic static load rating, radial
C _{ur}	860 N	Fatigue limit load, radial
n _G	20000 1/min	Limiting speed
n _B	15500 1/min	Reference speed
	LR8X12x12,5	Suitable inner ring
	IR8X12x12,5	Suitable inner ring

HK1312

Figure 1

F _w	13 mm	
D	19 mm	
C	12 mm	Tolerance: -0,3
r _{min}	0,8 mm	
m	10 g	Mass
C _r	6800 N	Basic dynamic load rating, radial
C _{0r}	7900 N	Basic static load rating, radial
C _{ur}	940 N	Fatigue limit load, radial
n _G	18700 1/min	Limiting speed
n _B	14400 1/min	Reference speed
	LR10X13x12,5	Suitable inner ring
	IR10X13x12,5	Suitable inner ring

HK1412

Figure 1

F _w	14 mm	
D	20 mm	
C	12 mm	Tolerance: -0,3
r _{min}	0,8 mm	
m	10,5 g	Mass
C _r	7100 N	Basic dynamic load rating, radial
C _{0r}	8500 N	Basic static load rating, radial
C _{ur}	1010 N	Fatigue limit load, radial
n _G	17500 1/min	Limiting speed
n _B	13500 1/min	Reference speed
	IR10X14x13	Suitable inner ring

HK1512

Figure 1

F _w	15 mm	
D	21 mm	
C	12 mm	Tolerance: -0,3
r _{min}	0,8 mm	
m	11 g	Mass
C _r	7900 N	Basic dynamic load rating, radial
C _{0r}	9400 N	Basic static load rating, radial
C _{ur}	1150 N	Fatigue limit load, radial
n _G	16300 1/min	Limiting speed
n _B	12300 1/min	Reference speed
	LR12X15x12,5	Suitable inner ring
	IR12X15x12,5	Suitable inner ring

HK1516

Figure 1

F _w	15 mm	
D	21 mm	
C	16 mm	Tolerance: -0,3
r _{min}	0,8 mm	
m	15 g	Mass
C _r	10500 N	Basic dynamic load rating, radial
C _{0r}	14400 N	Basic static load rating, radial
C _{ur}	1780 N	Fatigue limit load, radial
n _G	16500 1/min	Limiting speed
n _B	12300 1/min	Reference speed
	LR12X15x16,5	Suitable inner ring
	IR12X15x16,5	Suitable inner ring

HK1522-ZW

Figure 2

F _w	15 mm	
D	21 mm	
C	22 mm	Tolerance: -0,3
r _{min}	0,8 mm	
m	20 g	Mass
C _r	13400 N	Basic dynamic load rating, radial
C _{0r}	19500 N	Basic static load rating, radial
C _{ur}	2380 N	Fatigue limit load, radial
n _G	16500 1/min	Limiting speed
n _B	12300 1/min	Reference speed
	LR12X15x22,5	Suitable inner ring
	IR12X15x22,5	Suitable inner ring

HK1612

Figure 1

F _w	16 mm	
D	22 mm	
C	12 mm	Tolerance: -0,3
r _{min}	0,8 mm	
m	12 g	Mass
C _r	7600 N	Basic dynamic load rating, radial
C _{0r}	9700 N	Basic static load rating, radial
C _{ur}	1160 N	Fatigue limit load, radial
n _G	15600 1/min	Limiting speed
n _B	11900 1/min	Reference speed
	IR12X16x13	Suitable inner ring

HK1616

Figure 1

F _w	16 mm	
D	22 mm	
C	16 mm	Tolerance: -0,3
r _{min}	0,8 mm	
m	16 g	Mass
C _r	10900 N	Basic dynamic load rating, radial
C _{0r}	15300 N	Basic static load rating, radial
C _{ur}	1900 N	Fatigue limit load, radial
n _G	15600 1/min	Limiting speed
n _B	11600 1/min	Reference speed
	IR12X16x16	Suitable inner ring

HK1622-ZW

Figure 2

F _w	16 mm	
D	22 mm	
C	22 mm	Tolerance: -0,3
r _{min}	0,8 mm	
m	22 g	Mass
C _r	13100 N	Basic dynamic load rating, radial
C _{0r}	19400 N	Basic static load rating, radial
C _{ur}	2310 N	Fatigue limit load, radial
n _G	15600 1/min	Limiting speed
n _B	11700 1/min	Reference speed
	IR12X16x22	Suitable inner ring

HK1712

Figure 1

F _w	17 mm	
D	23 mm	
C	12 mm	Tolerance: -0,3
r _{min}	0,8 mm	
m	12 g	Mass
C _r	7900 N	Basic dynamic load rating, radial
C _{0r}	10300 N	Basic static load rating, radial
C _{ur}	1230 N	Fatigue limit load, radial
n _G	14700 1/min	Limiting speed
n _B	11200 1/min	Reference speed

HK1812

Figure 1

F _w	18 mm	
D	24 mm	
C	12 mm	Tolerance: -0,3
r _{min}	0,8 mm	
m	13 g	Mass
C _r	8100 N	Basic dynamic load rating, radial
C _{0r}	10900 N	Basic static load rating, radial
C _{ur}	1300 N	Fatigue limit load, radial
n _G	14000 1/min	Limiting speed
n _B	10700 1/min	Reference speed
	LR15X18x12,5	Suitable inner ring

HK1816

Figure 1

F _w	18 mm	
D	24 mm	
C	16 mm	Tolerance: -0,3
r _{min}	0,8 mm	
m	18 g	Mass
C _r	11600 N	Basic dynamic load rating, radial
C _{0r}	17300 N	Basic static load rating, radial
C _{ur}	2140 N	Fatigue limit load, radial
n _G	14000 1/min	Limiting speed
n _B	10400 1/min	Reference speed
	LR15X18x16,5	Suitable inner ring
	IR15X18x16,5	Suitable inner ring

HK2010

Figure 1

F _w	20 mm	
D	26 mm	
C	10 mm	Tolerance: -0,3
r _{min}	0,8 mm	
m	12 g	Mass
C _r	6400 N	Basic dynamic load rating, radial
C _{0r}	8200 N	Basic static load rating, radial
C _{ur}	1040 N	Fatigue limit load, radial
n _G	12700 1/min	Limiting speed
n _B	10000 1/min	Reference speed

HK2012

Figure 1

F _w	20 mm	
D	26 mm	
C	12 mm	Tolerance: -0,3
r _{min}	0,8 mm	
m	14 g	Mass
C _r	8600 N	Basic dynamic load rating, radial
C _{0r}	12100 N	Basic static load rating, radial
C _{ur}	1450 N	Fatigue limit load, radial
n _G	12700 1/min	Limiting speed
n _B	9700 1/min	Reference speed
	IR15X20x13	Suitable inner ring

HK2016

Figure 1

F _w	20 mm	
D	26 mm	
C	16 mm	Tolerance: -0,3
r _{min}	0,8 mm	
m	19 g	Mass
C _r	12700 N	Basic dynamic load rating, radial
C _{0r}	20100 N	Basic static load rating, radial
C _{ur}	2500 N	Fatigue limit load, radial
n _G	12700 1/min	Limiting speed
n _B	9300 1/min	Reference speed
	LR17X20x16,5	Suitable inner ring
	IR17X20x16,5	Suitable inner ring

HK2020

Figure 1

F _w	20 mm	
D	26 mm	
C	20 mm	Tolerance: -0,3
r _{min}	0,8 mm	
m	24 g	Mass
C _r	15700 N	Basic dynamic load rating, radial
C _{0r}	26000 N	Basic static load rating, radial
C _{ur}	3500 N	Fatigue limit load, radial
n _G	12700 1/min	Limiting speed
n _B	9300 1/min	Reference speed
	LR17X20x20,5	Suitable inner ring
	IR17X20x20,5	Suitable inner ring

HK2030-ZW

Figure 2

F _w	20 mm	
D	26 mm	
C	30 mm	Tolerance: -0,3
r _{min}	0,8 mm	
m	35 g	Mass
C _r	21800 N	Basic dynamic load rating, radial
C _{0r}	40000 N	Basic static load rating, radial
C _{ur}	5000 N	Fatigue limit load, radial
n _G	12700 1/min	Limiting speed
n _B	9200 1/min	Reference speed
	LR17X20x30,5	Suitable inner ring
	IR17X20x30,5	Suitable inner ring

HK2210

Figure 1

F _w	22 mm	
D	28 mm	
C	10 mm	Tolerance: -0,3
r _{min}	0,8 mm	
m	13 g	Mass
C _r	7500 N	Basic dynamic load rating, radial
C _{0r}	10500 N	Basic static load rating, radial
C _{ur}	1360 N	Fatigue limit load, radial
n _G	11700 1/min	Limiting speed
n _B	9000 1/min	Reference speed

HK2212

Figure 1

F _w	22 mm	
D	28 mm	
C	12 mm	Tolerance: -0,3
r _{min}	0,8 mm	
m	15 g	Mass
C _r	9100 N	Basic dynamic load rating, radial
C _{0r}	13400 N	Basic static load rating, radial
C _{ur}	1600 N	Fatigue limit load, radial
n _G	11700 1/min	Limiting speed
n _B	8900 1/min	Reference speed
	IR17X22x13	Suitable inner ring

HK2216

Figure 1

F _w	22 mm	
D	28 mm	
C	16 mm	Tolerance: -0,3
r _{min}	0,8 mm	
m	21 g	Mass
C _r	13400 N	Basic dynamic load rating, radial
C _{0r}	22100 N	Basic static load rating, radial
C _{ur}	2800 N	Fatigue limit load, radial
n _G	11700 1/min	Limiting speed
n _B	8500 1/min	Reference speed
	IR17X22x16	Suitable inner ring

HK2220

Figure 1

F _w	22 mm	
D	28 mm	
C	20 mm	Tolerance: -0,3
r _{min}	0,8 mm	
m	26 g	Mass
C _r	16500 N	Basic dynamic load rating, radial
C _{0r}	29000 N	Basic static load rating, radial
C _{ur}	3850 N	Fatigue limit load, radial
n _G	11700 1/min	Limiting speed
n _B	8500 1/min	Reference speed
	IR17X22x23	Suitable inner ring

HK2512

Figure 1

F _w	25 mm	
D	32 mm	
C	12 mm	Tolerance: -0,3
r _{min}	0,8 mm	
m	20 g	Mass
C _r	11000 N	Basic dynamic load rating, radial
C _{0r}	15200 N	Basic static load rating, radial
C _{ur}	1990 N	Fatigue limit load, radial
n _G	10200 1/min	Limiting speed
n _B	7800 1/min	Reference speed
	LR20X25x12,5	Suitable inner ring

HK2516

Figure 1

F _w	25 mm	
D	32 mm	
C	16 mm	Tolerance: -0,3
r _{min}	0,8 mm	
m	27 g	Mass
C _r	15600 N	Basic dynamic load rating, radial
C _{0r}	24000 N	Basic static load rating, radial
C _{ur}	3150 N	Fatigue limit load, radial
n _G	10200 1/min	Limiting speed
n _B	7500 1/min	Reference speed
	LR20X25x16,5	Suitable inner ring
	IR20X25x17	Suitable inner ring

HK2520

Figure 1

F _w	25 mm	
D	32 mm	
C	20 mm	Tolerance: -0,3
r _{min}	0,8 mm	
m	33 g	Mass
C _r	19900 N	Basic dynamic load rating, radial
C _{0r}	33000 N	Basic static load rating, radial
C _{ur}	4200 N	Fatigue limit load, radial
n _G	10200 1/min	Limiting speed
n _B	7400 1/min	Reference speed
	LR20X25x20,5	Suitable inner ring
	IR20X25x20,5	Suitable inner ring

HK2526

Figure 1

F _w	25 mm	
D	32 mm	
C	26 mm	Tolerance: -0,3
r _{min}	0,8 mm	
m	44 g	Mass
C _r	25500 N	Basic dynamic load rating, radial
C _{0r}	45000 N	Basic static load rating, radial
C _{ur}	6200 N	Fatigue limit load, radial
n _G	10200 1/min	Limiting speed
n _B	7300 1/min	Reference speed
	LR20X25x26,5	Suitable inner ring
	IR20X25x26,5	Suitable inner ring

HK2538-ZW

Figure 2

F _w	25 mm	
D	32 mm	
C	38 mm	Tolerance: -0,3
r _{min}	0,8 mm	
m	64 g	Mass
C _r	34000 N	Basic dynamic load rating, radial
C _{0r}	66000 N	Basic static load rating, radial
C _{ur}	8400 N	Fatigue limit load, radial
n _G	10200 1/min	Limiting speed
n _B	7300 1/min	Reference speed
	LR20X25x38,5	Suitable inner ring
	IR20X25x38,5	Suitable inner ring

HK2816

Figure 1

F _w	28 mm	
D	35 mm	
C	16 mm	Tolerance: -0,3
r _{min}	0,8 mm	
m	29 g	Mass
C _r	16400 N	Basic dynamic load rating, radial
C _{0r}	26500 N	Basic static load rating, radial
C _{ur}	3450 N	Fatigue limit load, radial
n _G	9200 1/min	Limiting speed
n _B	6800 1/min	Reference speed
	IR22X28x17	Suitable inner ring

HK2820

Figure 1

F _w	28 mm	
D	35 mm	
C	20 mm	Tolerance: -0,3
r _{min}	0,8 mm	
m	36 g	Mass
C _r	20900 N	Basic dynamic load rating, radial
C _{0r}	36000 N	Basic static load rating, radial
C _{ur}	4650 N	Fatigue limit load, radial
n _G	9200 1/min	Limiting speed
n _B	6700 1/min	Reference speed
	LR22X28x20,5	Suitable inner ring
	IR22X28x20,5	Suitable inner ring

HK3012

Figure 1

F _w	30 mm	
D	37 mm	
C	12 mm	Tolerance: -0,3
r _{min}	0,8 mm	
m	23 g	Mass
C _r	12100 N	Basic dynamic load rating, radial
C _{0r}	18200 N	Basic static load rating, radial
C _{ur}	2390 N	Fatigue limit load, radial
n _G	8600 1/min	Limiting speed
n _B	6600 1/min	Reference speed
	LR25X30x12,5	Suitable inner ring

HK3016

Figure 1

F _w	30 mm	
D	37 mm	
C	16 mm	Tolerance: -0,3
r _{min}	0,8 mm	
m	31 g	Mass
C _r	17200 N	Basic dynamic load rating, radial
C _{0r}	29000 N	Basic static load rating, radial
C _{ur}	3750 N	Fatigue limit load, radial
n _G	8600 1/min	Limiting speed
n _B	6400 1/min	Reference speed
	LR25X30x16,5	Suitable inner ring
	IR25X30x17	Suitable inner ring

HK3020

Figure 1

F _w	30 mm	
D	37 mm	
C	20 mm	Tolerance: -0,3
r _{min}	0,8 mm	
m	39 g	Mass
C _r	22000 N	Basic dynamic load rating, radial
C _{0r}	39500 N	Basic static load rating, radial
C _{ur}	5100 N	Fatigue limit load, radial
n _G	8600 1/min	Limiting speed
n _B	6300 1/min	Reference speed
	LR25X30x20,5	Suitable inner ring
	IR25X30x20,5	Suitable inner ring

HK3022

Figure 1

F _w	30 mm	
D	37 mm	
C	22 mm	Tolerance: -0,3
r _{min}	0,8 mm	
m	42 g	Mass
C _r	24800 N	Basic dynamic load rating, radial
C _{0r}	46000 N	Basic static load rating, radial
C _{ur}	6100 N	Fatigue limit load, radial
n _G	8600 1/min	Limiting speed
n _B	6200 1/min	Reference speed

HK3026

Figure 1

F _w	30 mm	
D	37 mm	
C	26 mm	Tolerance: -0,3
r _{min}	0,8 mm	
m	51 g	Mass
C _r	28000 N	Basic dynamic load rating, radial
C _{0r}	54000 N	Basic static load rating, radial
C _{ur}	7400 N	Fatigue limit load, radial
n _G	8600 1/min	Limiting speed
n _B	6200 1/min	Reference speed
	LR25X30x26,5	Suitable inner ring
	IR25X30x26,5	Suitable inner ring

HK3038-ZW

Figure 2

F _w	30 mm	
D	37 mm	
C	38 mm	Tolerance: -0,3
r _{min}	0,8 mm	
m	76 g	Mass
C _r	37500 N	Basic dynamic load rating, radial
C _{0r}	79000 N	Basic static load rating, radial
C _{ur}	10100 N	Fatigue limit load, radial
n _G	8600 1/min	Limiting speed
n _B	6200 1/min	Reference speed
	LR25X30x38,5	Suitable inner ring
	IR25X30x38,5	Suitable inner ring

HK3220

Figure 1

F _w	32 mm	
D	39 mm	
C	20 mm	Tolerance: -0,3
r _{min}	0,8 mm	
m	40,6 g	Mass
C _r	23000 N	Basic dynamic load rating, radial
C _{0r}	42500 N	Basic static load rating, radial
C _{ur}	5500 N	Fatigue limit load, radial
n _G	8100 1/min	Limiting speed
n _B	5900 1/min	Reference speed
	IR28X32X20	Suitable inner ring

HK3224

Figure 1

F _w	32 mm	
D	39 mm	
C	24 mm	Tolerance: -0,3
r _{min}	0,8 mm	
m	49 g	Mass
C _r	27500 N	Basic dynamic load rating, radial
C _{0r}	54000 N	Basic static load rating, radial
C _{ur}	7300 N	Fatigue limit load, radial
n _G	8100 1/min	Limiting speed
n _B	5800 1/min	Reference speed

HK3512

Figure 1

F _w	35 mm	
D	42 mm	
C	12 mm	Tolerance: -0,3
r _{min}	0,8 mm	
m	27 g	Mass
C _r	13100 N	Basic dynamic load rating, radial
C _{0r}	21300 N	Basic static load rating, radial
C _{ur}	2800 N	Fatigue limit load, radial
n _G	7500 1/min	Limiting speed
n _B	5800 1/min	Reference speed
	LR30X35x12,5	Suitable inner ring

HK3516

Figure 1

F _w	35 mm	
D	42 mm	
C	16 mm	Tolerance: -0,3
r _{min}	0,8 mm	
m	36 g	Mass
C _r	18700 N	Basic dynamic load rating, radial
C _{0r}	33500 N	Basic static load rating, radial
C _{ur}	4400 N	Fatigue limit load, radial
n _G	7500 1/min	Limiting speed
n _B	5600 1/min	Reference speed
	LR30X35x16,5	Suitable inner ring
	IR30X35x17	Suitable inner ring

HK3520

Figure 1

F _w	35 mm	
D	42 mm	
C	20 mm	Tolerance: -0,3
r _{min}	0,8 mm	
m	44 g	Mass
C _r	23800 N	Basic dynamic load rating, radial
C _{0r}	46000 N	Basic static load rating, radial
C _{ur}	5900 N	Fatigue limit load, radial
n _G	7500 1/min	Limiting speed
n _B	5500 1/min	Reference speed
	LR30X35x20,5	Suitable inner ring
	IR30X35x20,5	Suitable inner ring

HK4012

Figure 1

F _w	40 mm	
D	47 mm	
C	12 mm	Tolerance: -0,3
r _{min}	0,8 mm	
m	30 g	Mass
C _r	14000 N	Basic dynamic load rating, radial
C _{0r}	24300 N	Basic static load rating, radial
C _{ur}	3200 N	Fatigue limit load, radial
n _G	6600 1/min	Limiting speed
n _B	5200 1/min	Reference speed
	LR35X40x12,5	Suitable inner ring

HK4016

Figure 1

F _w	40 mm	
D	47 mm	
C	16 mm	Tolerance: -0,3
r _{min}	0,8 mm	
m	39 g	Mass
C _r	20000 N	Basic dynamic load rating, radial
C _{0r}	38500 N	Basic static load rating, radial
C _{ur}	5000 N	Fatigue limit load, radial
n _G	6600 1/min	Limiting speed
n _B	5000 1/min	Reference speed
	LR35X40x16,5	Suitable inner ring
	IR35X40x17	Suitable inner ring

HK4020

Figure 1

F _w	40 mm	
D	47 mm	
C	20 mm	Tolerance: -0,3
r _{min}	0,8 mm	
m	54 g	Mass
C _r	25500 N	Basic dynamic load rating, radial
C _{0r}	52000 N	Basic static load rating, radial
C _{ur}	6800 N	Fatigue limit load, radial
n _G	6600 1/min	Limiting speed
n _B	4900 1/min	Reference speed
	LR35X40x20,5	Suitable inner ring
	IR35X40x20,5	Suitable inner ring

HK4512

Figure 1

F _w	45 mm	
D	52 mm	
C	12 mm	Tolerance: -0,3
r _{min}	0,8 mm	
m	33 g	Mass
C _r	14900 N	Basic dynamic load rating, radial
C _{0r}	27500 N	Basic static load rating, radial
C _{ur}	3600 N	Fatigue limit load, radial
n _G	5900 1/min	Limiting speed
n _B	4650 1/min	Reference speed

HK4516

Figure 1

F _w	45 mm	
D	52 mm	
C	16 mm	Tolerance: -0,3
r _{min}	0,8 mm	
m	46 g	Mass
C _r	21300 N	Basic dynamic load rating, radial
C _{0r}	43000 N	Basic static load rating, radial
C _{ur}	5700 N	Fatigue limit load, radial
n _G	5900 1/min	Limiting speed
n _B	4550 1/min	Reference speed
	LR40X45x16,5	Suitable inner ring
	IR40X45x17	Suitable inner ring

HK4520

Figure 1

F _w	45 mm	
D	52 mm	
C	20 mm	Tolerance: -0,3
r _{min}	0,8 mm	
m	56 g	Mass
C _r	27000 N	Basic dynamic load rating, radial
C _{0r}	59000 N	Basic static load rating, radial
C _{ur}	7600 N	Fatigue limit load, radial
n _G	5900 1/min	Limiting speed
n _B	4450 1/min	Reference speed
	LR40X45x20,5	Suitable inner ring
	IR40X45x20,5	Suitable inner ring

HK5020

Figure 1

F _w	50 mm	
D	58 mm	
C	20 mm	Tolerance: -0,3
r _{min}	0,8 mm	
m	70 g	Mass
C _r	31000 N	Basic dynamic load rating, radial
C _{0r}	63000 N	Basic static load rating, radial
C _{ur}	8200 N	Fatigue limit load, radial
n _G	5300 1/min	Limiting speed
n _B	4050 1/min	Reference speed
	LR45X50x20,5	Suitable inner ring

HK5025

Figure 1

F _w	50 mm	
D	58 mm	
C	25 mm	Tolerance: -0,3
r _{min}	0,8 mm	
m	90 g	Mass
C _r	38500 N	Basic dynamic load rating, radial
C _{0r}	84000 N	Basic static load rating, radial
C _{ur}	11700 N	Fatigue limit load, radial
n _G	5300 1/min	Limiting speed
n _B	4000 1/min	Reference speed
	LR45X50x25,5	Suitable inner ring
	IR45X50x25,5	Suitable inner ring

HK5520

Figure 1

F _w	55 mm	
D	63 mm	
C	20 mm	Tolerance: -0,3
r _{min}	0,8 mm	
m	74 g	Mass
C _r	31500 N	Basic dynamic load rating, radial
C _{0r}	67000 N	Basic static load rating, radial
C _{ur}	8700 N	Fatigue limit load, radial
n _G	4850 1/min	Limiting speed
n _B	3800 1/min	Reference speed
	LR50X55x20,5	Suitable inner ring

HK5528

Figure 1

F _w	55 mm	
D	63 mm	
C	28 mm	Tolerance: -0,3
r _{min}	0,8 mm	
m	105 g	Mass
C _r	44000 N	Basic dynamic load rating, radial
C _{0r}	103000 N	Basic static load rating, radial
C _{ur}	14700 N	Fatigue limit load, radial
n _G	4850 1/min	Limiting speed
n _B	3700 1/min	Reference speed

HK6012

Figure 1

F _w	60 mm	
D	68 mm	
C	12 mm	Tolerance: -0,3
r _{min}	0,8 mm	
m	49 g	Mass
C _r	17400 N	Basic dynamic load rating, radial
C _{0r}	32000 N	Basic static load rating, radial
C _{ur}	4250 N	Fatigue limit load, radial
n _G	4450 1/min	Limiting speed
n _B	3750 1/min	Reference speed

HK6020

Figure 1

F _w	60 mm	
D	68 mm	
C	20 mm	Tolerance: -0,3
r _{min}	0,8 mm	
m	81 g	Mass
C _r	33500 N	Basic dynamic load rating, radial
C _{0r}	75000 N	Basic static load rating, radial
C _{ur}	9800 N	Fatigue limit load, radial
n _G	4450 1/min	Limiting speed
n _B	3500 1/min	Reference speed

HK6032

Figure 1

F _w	60 mm	
D	68 mm	
C	32 mm	Tolerance: -0,3
r _{min}	0,8 mm	
m	136 g	Mass
C _r	53000 N	Basic dynamic load rating, radial
C _{0r}	135000 N	Basic static load rating, radial
C _{ur}	19700 N	Fatigue limit load, radial
n _G	4450 1/min	Limiting speed
n _B	3400 1/min	Reference speed