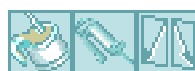
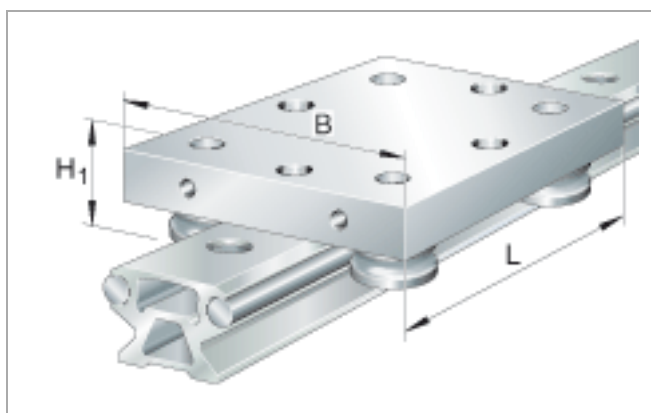




## Carriage LFL..-SF

open carriage, standard design, clearance-free;  
corrosion-resistant design possible

The datasheet is only an overview of dimensions and basic load ratings for the selected series. Please ensure that you note all the guidance in these overview pages. Further information is given on many products under the menu item "Description". You can also obtain comprehensive information material via Catalogue selection (<http://www.ina.de/content.ina.de/en/services/mediathek/library/library.jsp>), by e-mail ([kataloge@de.ina.com](mailto:kataloge@de.ina.com)) or telephone +49 (91 32) 82 - 28 97.



	H <sub>1</sub> mm	B mm	L mm
LFL20-SF	20,5	55	50
LFL32-SF	30	80	90
LFL52-SF	43,2	120	100

Figure 1

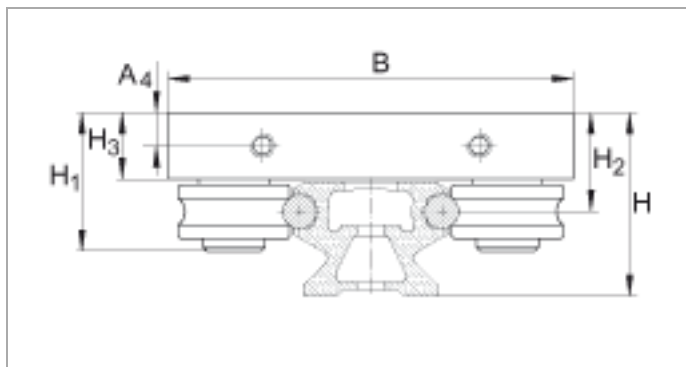


Figure 2

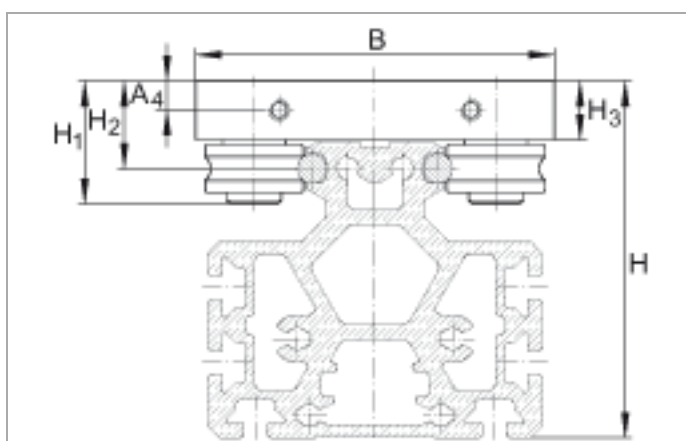


Figure 3

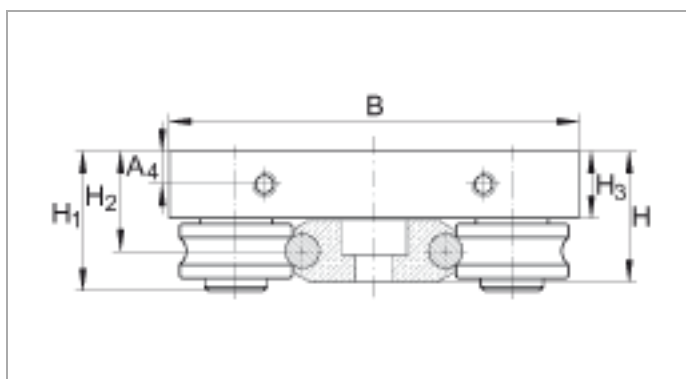


Figure 4

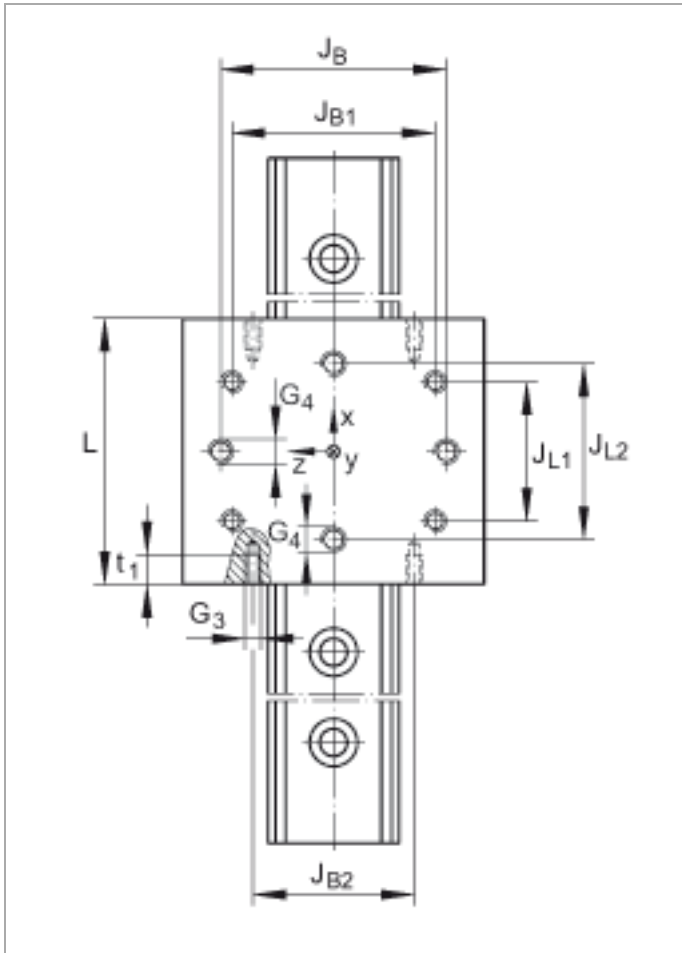
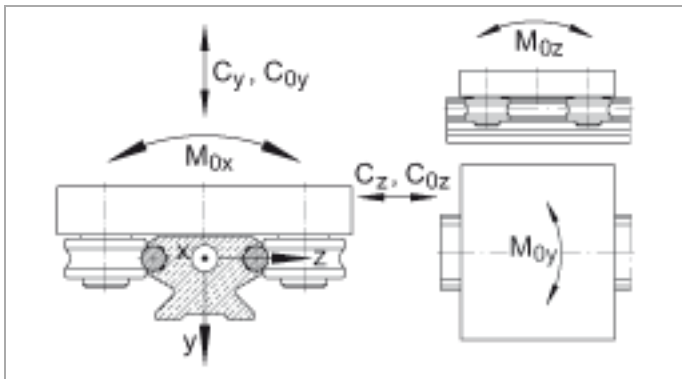


Figure 5





## LFL20-SF

Figure 1 , Figure 2 , Figure 3 , Figure 4 , Figure 5

H <sub>1</sub>	20,5 mm	
B	55 mm	
L	50 mm	
G <sub>3</sub>	M3	Hole in underside for cap wiper AB.LFL20
G <sub>4</sub>	M5	
H		Total height of carriage and guideway: H = 22 mm For LFS, -C, -CE, -CEE, -E, -EE, -N, -NZZ
H <sub>2</sub>	13 mm	Tolerance: +0,3
H <sub>3</sub>	9 mm	
J <sub>B</sub>	40 mm	Tolerance: +/-0,2
J <sub>B1</sub>	34 mm	
J <sub>B2</sub>		Hole in underside for cap wiper AB.LFL20
J <sub>L1</sub>	24 mm	
J <sub>L2</sub>	38 mm	Tolerance: +/-0,2
m <sub>w</sub>	160 g	Mass of carriage
MA	2,5 Nm	Valid for standard design. Tightening torque for track roller bolts, concentric bolts are supplied tightened to MA.
MA	2,5 Nm	Valid for corrosion-resistant design "RB". Tightening torque for track roller bolts, concentric bolts are supplied tightened to MA. The basic load ratings are not valid for "-RB" designs.
C <sub>y</sub>	1350 N	Basic dynamic load rating in y direction
C <sub>0y</sub>	870 N	Basic static load rating in y direction
C <sub>z</sub>	2400 N	Basic dynamic load rating in z direction
C <sub>0z</sub>	1700 N	Basic static load rating in z direction
M <sub>0x</sub>	7 Nm	Static moment rating about X axis
M <sub>0y</sub>	20 Nm	Static moment rating about Y axis
M <sub>0z</sub>	10 Nm	Static moment rating about Z axis
		Ordering designation: - Corrosion-resistant design: Carriage: LFCL...-RB Guideway: LFS...-RB Track roller: LFR...-2RSR-RB - Guideway without holes: LFS...-OL
	LFR50/5-4-2Z	Track roller used



For shaft diameter: 4 mm

For ordering of replacement parts, please contact us.

LFS20

The calculation of basic load ratings and moment ratings is based on the use of this  
guideway

## LFL32-SF

Figure 1 , Figure 2 , Figure 3 , Figure 4 , Figure 5

H <sub>1</sub>	30 mm	
B	80 mm	
L	90 mm	
A <sub>4</sub>	7 mm	
G <sub>3</sub>	M6	
G <sub>4</sub>	M8	
H		<p>Total height of carriage and guideway:  H = 35,5 mm  For LFS, -C, -CE, -CEE, -E, -EE, -N, -NZZ  H = 25,5 mm  For LFS..-F, -FE  H = 81,5 mm  For LFS..-M  The guideway LFS..-M can only be combined with carriages with adjustable clearance.  If SF and LFKL carriages are to be used, please contact us first</p>
H <sub>2</sub>	20,5 mm	Tolerance: +0,3
H <sub>3</sub>	14 mm	
J <sub>B</sub>	59 mm	Tolerance: +/-0,2
J <sub>B1</sub>	54 mm	
J <sub>B2</sub>	56 mm	
J <sub>L1</sub>	60 mm	
J <sub>L2</sub>	70 mm	Tolerance: +/-0,2
t <sub>1</sub>	7 mm	
m <sub>w</sub>	400 g	Mass of carriage
MA	15 Nm	Valid for standard design. Tightening torque for track roller bolts, concentric bolts are supplied tightened to MA.
MA	12 Nm	Valid for corrosion-resistant design "RB". Tightening torque for track roller bolts, concentric bolts are supplied tightened to MA. The basic load ratings are not valid for "-RB" designs.
C <sub>y</sub>	4100 N	Basic dynamic load rating in y direction
C <sub>0y</sub>	2400 N	Basic static load rating in y direction
C <sub>z</sub>	6600 N	Basic dynamic load rating in z direction
C <sub>0z</sub>	4200 N	Basic static load rating in z direction
M <sub>0x</sub>	30 Nm	Static moment rating about X axis
M <sub>0y</sub>	130 Nm	Static moment rating about Y axis
M <sub>0z</sub>	70 Nm	Static moment rating about Z axis



Ordering designation:

- Corrosion-resistant design:

Carriage: LFCL..-RB

Guideway: LFS..-RB

Track roller: LFR..-2RSR-RB

- Guideway without holes:

LFS..-OL

LFR50/8-6-2Z

Track roller used

For shaft diameter: 6 mm

For ordering of replacement parts, please contact us.

LFS32

The calculation of basic load ratings and moment ratings is based on the use of this guideway



## LFL52-SF

Figure 1 , Figure 2 , Figure 3 , Figure 4 , Figure 5

H <sub>1</sub>	43,2 mm	
B	120 mm	
L	100 mm	
A <sub>4</sub>	9,75 mm	
G <sub>3</sub>	M6	
G <sub>4</sub>	M10	
H		<p>Total height of carriage and guideway:  H = 54,3 mm  For LFS, -C, -CE, -CEE, -E, -EE, -N, -NZZ  H = 38,2 mm  For LFS..-F, -FE  H = 118,9 mm  For LFS..-M  The guideway LFS..-M can only be combined with carriages with adjustable clearance.  If SF and LFCL carriages are to be used, please contact us first</p>
H <sub>2</sub>	29,2 mm	Tolerance: +0,3
H <sub>3</sub>	19,5 mm	
J <sub>B</sub>	90 mm	Tolerance: +/-0,2
J <sub>B1</sub>	83,2 mm	
J <sub>B2</sub>	65 mm	
J <sub>L1</sub>	60 mm	
J <sub>L2</sub>	70 mm	Tolerance: +/-0,2
t <sub>1</sub>	12 mm	
m <sub>w</sub>	1000 g	Mass of carriage
MA	40 Nm	Valid for standard design. Tightening torque for track roller bolts, concentric bolts are supplied tightened to MA.
MA	23 Nm	Valid for corrosion-resistant design "RB". Tightening torque for track roller bolts, concentric bolts are supplied tightened to MA. The basic load ratings are not valid for "-RB" designs.
C <sub>y</sub>	10000 N	Basic dynamic load rating in y direction
C <sub>0y</sub>	5200 N	Basic static load rating in y direction
C <sub>z</sub>	16800 N	Basic dynamic load rating in z direction
C <sub>0z</sub>	10000 N	Basic static load rating in z direction
M <sub>0x</sub>	110 Nm	Static moment rating about X axis
M <sub>0y</sub>	290 Nm	Static moment rating about Y axis
M <sub>0z</sub>	150 Nm	Static moment rating about Z axis



Ordering designation:

- Corrosion-resistant design:

Carriage: LFCL..-RB

Guideway: LFS..-RB

Track roller: LFR..-2RSR-RB

- Guideway without holes:

LFS..-OL

LFR5201-10-2Z

Track roller used

For shaft diameter: 10 mm

For ordering of replacement parts, please contact us.

LFS52

The calculation of basic load ratings and moment ratings is based on the use of this guideway