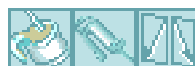
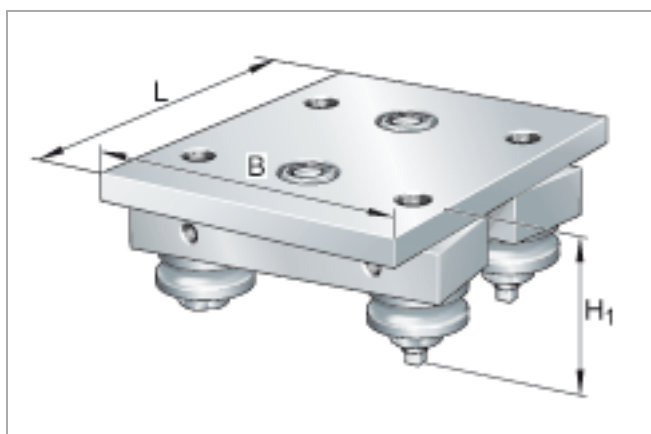




Carriage LFDL..-B

bogie carriage; corrosion-resistant design possible

The datasheet is only an overview of dimensions and basic load ratings for the selected series. Please ensure that you note all the guidance in these overview pages. Further information is given on many products under the menu item "Description". You can also obtain comprehensive information material via Catalogue selection (<http://www.ina.de/content.ina.de/en/services/mediathek/library/library.jsp>), by e-mail (kataloge@de.ina.com) or telephone +49 (91 32) 82 - 28 97.



	H ₁ mm	B mm	L mm
LFDL32-B	43	80	100
LFDL52-B	65,1	120	150

Figure 1

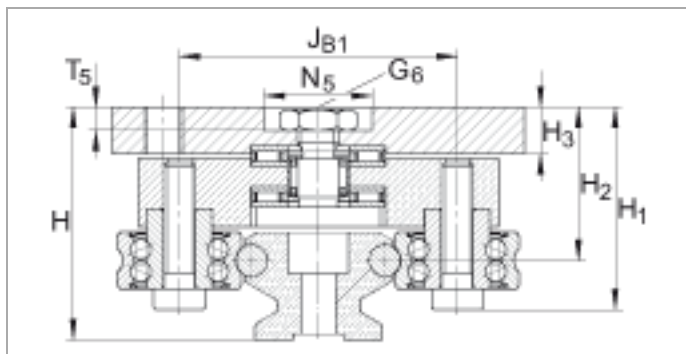


Figure 2

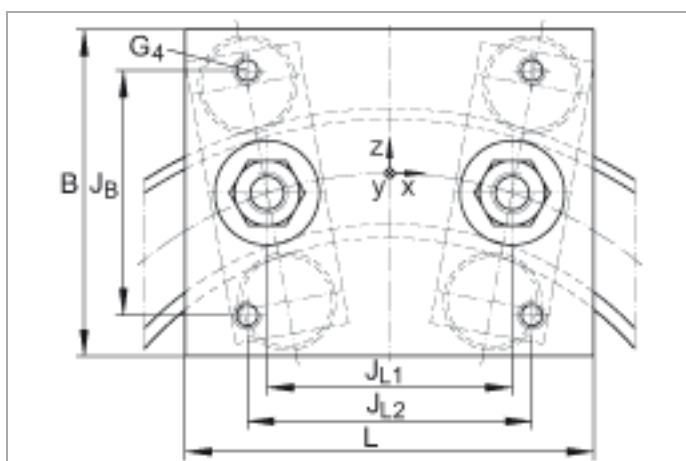


Figure 3

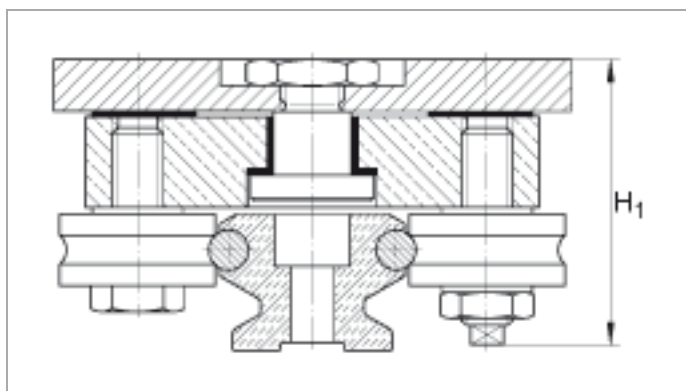
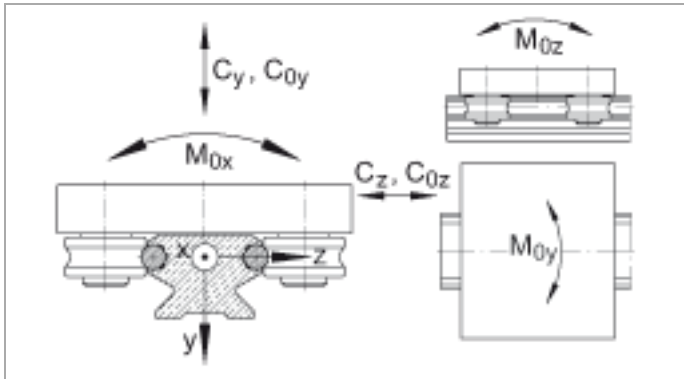


Figure 4





LFDL32-B

Figure 1 , Figure 2 , Figure 3 , Figure 4

H ₁	43 mm	
B	80 mm	
L	100 mm	
G ₄	M8	
G ₆	M8	
H		Total height of carriage and guideway: H = 44,2 mm For LFS, -C, -CE, -CEE, -E, -EE, -N, -NZZ
H ₂	29,2 mm	Tolerance: +0,3
H ₃	9 mm	
J _B	60 mm	
J _{B1}	54 mm	
J _{L1}	60 mm	
J _{L2}	70 mm	
N ₅	21 mm	
T ₅	5 mm	
mw	1000 g	Mass of carriage
MA	15 Nm	Tightening torque for track roller bolts, concentric bolts are supplied tightened to MA. The load carrying capacity table is not valid for "RB" designs. Corrosion-resistant design available by agreement
C _y	4100 N	Basic dynamic load rating in y direction
C _{0y}	2400 N	Basic static load rating in y direction
C _z	6600 N	Basic dynamic load rating in z direction
C _{0z}	4200 N	Basic static load rating in z direction
M _{0x}	30 Nm	Static moment rating about X axis
M _{0y}	130 Nm	Static moment rating about Y axis
M _{0z}	70 Nm	Static moment rating about Z axis
		The carriages can also be fitted with lubrication and wiper units AB (special accessories) to protect the raceways. Please ask for further information.
	LFR50/8-6-2Z	Track roller used For shaft diameter: 6 mm For ordering of replacement parts, please contact us.
	LFS32	The calculation of basic load ratings and moment ratings is based on the use of this guideway



LFDL52-B

Figure 1 , Figure 2 , Figure 3 , Figure 4

H ₁	65,1 mm	
B	120 mm	
L	150 mm	
G ₄	M10	
G ₆	M10	
H		Total height of carriage and guideway: H = 66,1 mm For LFS, -C, -CE, -CEE, -E, -EE, -N, -NZZ
H ₂	41 mm	Tolerance: +0,3
H ₃	11 mm	
J _B	90 mm	
J _{B1}	83 mm	
J _{L1}	76 mm	
J _{L2}	90 mm	
N ₅	26 mm	
T ₅	6 mm	
mw	2500 g	Mass of carriage
MA	40 Nm	Tightening torque for track roller bolts, concentric bolts are supplied tightened to MA. The load carrying capacity table is not valid for "RB" designs. Corrosion-resistant design available by agreement
C _y	10000 N	Basic dynamic load rating in y direction
C _{0y}	5200 N	Basic static load rating in y direction
C _z	16800 N	Basic dynamic load rating in z direction
C _{0z}	10000 N	Basic static load rating in z direction
M _{0x}	110 Nm	Static moment rating about X axis
M _{0y}	380 Nm	Static moment rating about Y axis
M _{0z}	200 Nm	Static moment rating about Z axis
		The carriages can also be fitted with lubrication and wiper units AB (special accessories) to protect the raceways. Please ask for further information.
	LFR5201-10-2Z	Track roller used For shaft diameter: 10 mm For ordering of replacement parts, please contact us.
	LFS52	The calculation of basic load ratings and moment ratings is based on the use of this guideway

