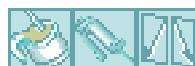
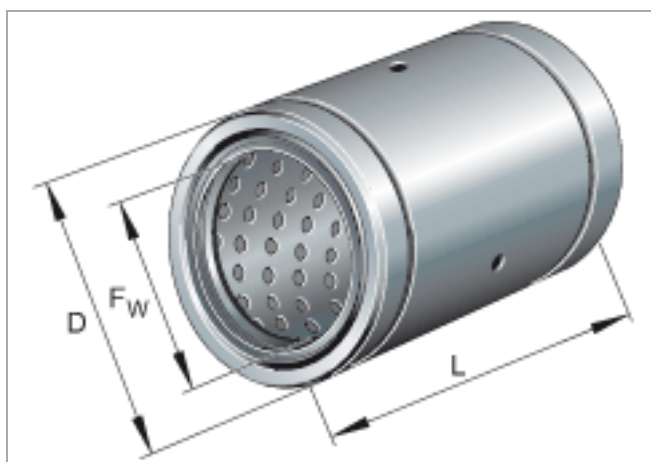




Linear plain bearings PAB..-PP-AS

sealed on all sides, with relubrication facility

The datasheet is only an overview of dimensions and basic load ratings for the selected series. Please ensure that you note all the guidance in these overview pages. Further information is given on many products under the menu item "Description". You can also obtain comprehensive information material via Catalogue selection (<http://www.ina.de/content.ina.de/en/services/mediathek/library/library.jsp>), by e-mail (kataloge@de.ina.com) or telephone +49 (91 32) 82 - 28 97.



	F _w mm	D mm	L mm
PAB12-PP-AS	12	22	32
PAB16-PP-AS	16	26	36
PAB20-PP-AS	20	32	45
PAB25-PP-AS	25	40	58
PAB30-PP-AS	30	47	68
PAB40-PP-AS	40	62	80
PAB50-PP-AS	50	75	100

Figure 1

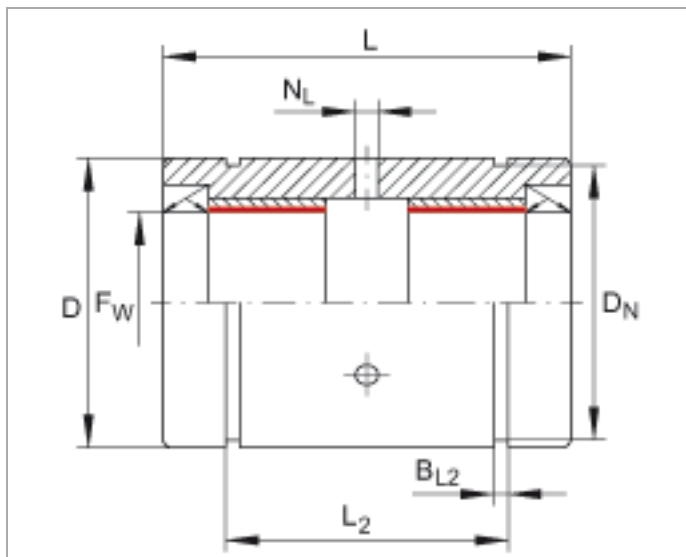
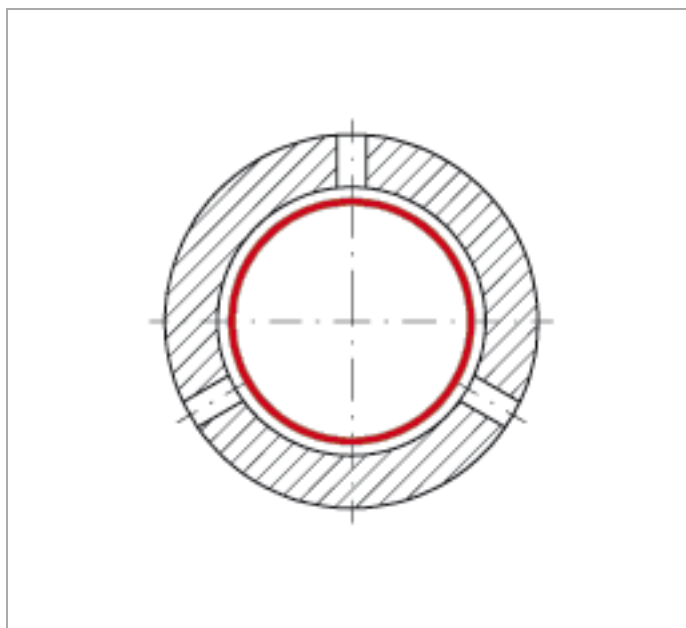


Figure 2



PAB12-PP-AS

Figure 1 , Figure 2

F _w	12 mm	
D	22 mm	Tolerance: h7
L	32 mm	Tolerance: h12
B _{L2}	1,3 mm	Tolerance: H13 Slot dimensions suitable for retaining rings to DIN 471.
D _N	21 mm	
L ₂	22,6 mm	Tolerance: H13 Holes symmetrical to bearing length L.
N _L	2,5 mm	Tolerance: H13
m	26 g	Mass of bearing
C ₀	60000 N	The basic static load ratings stated here are no longer valid if the bearings are mounted in housings.

PAB16-PP-AS

Figure 1 , Figure 2

F _w	16 mm	
D	26 mm	Tolerance: h7
L	36 mm	Tolerance: h12
B _{L2}	1,3 mm	Tolerance: H13 Slot dimensions suitable for retaining rings to DIN 471.
D _N	24,9 mm	
L ₂	24,6 mm	Tolerance: H13 Holes symmetrical to bearing length L.
N _L	2,5 mm	Tolerance: H13
m	34 g	Mass of bearing
C ₀	96000 N	The basic static load ratings stated here are no longer valid if the bearings are mounted in housings.

PAB20-PP-AS

Figure 1 , Figure 2

F _w	20 mm	
D	32 mm	Tolerance: h7
L	45 mm	Tolerance: h12
BL ₂	1,6 mm	Tolerance: H13 Slot dimensions suitable for retaining rings to DIN 471.
DN	30,3 mm	
L ₂	31,2 mm	Tolerance: H13 Holes symmetrical to bearing length L.
NL	2,5 mm	Tolerance: H13
m	68 g	Mass of bearing
C ₀	150000 N	The basic static load ratings stated here are no longer valid if the bearings are mounted in housings.

PAB25-PP-AS

Figure 1 , Figure 2

F _w	25 mm	
D	40 mm	Tolerance: h7
L	58 mm	Tolerance: h12
BL ₂	1,85 mm	Tolerance: H13 Slot dimensions suitable for retaining rings to DIN 471.
DN	37,5 mm	
L ₂	43,7 mm	Tolerance: H13 Holes symmetrical to bearing length L.
NL	2,5 mm	Tolerance: H13
m	132 g	Mass of bearing
C ₀	250000 N	The basic static load ratings stated here are no longer valid if the bearings are mounted in housings.

PAB30-PP-AS

Figure 1 , Figure 2

F _w	30 mm	
D	47 mm	Tolerance: h7
L	68 mm	Tolerance: h12
BL ₂	1,85 mm	Tolerance: H13 Slot dimensions suitable for retaining rings to DIN 471.
DN	44,5 mm	
L ₂	51,7 mm	Tolerance: H13 Holes symmetrical to bearing length L.
NL	3 mm	Tolerance: H13
m	169 g	Mass of bearing
C ₀	375000 N	The basic static load ratings stated here are no longer valid if the bearings are mounted in housings.

PAB40-PP-AS

Figure 1 , Figure 2

F _w	40 mm	
D	62 mm	Tolerance: h7
L	80 mm	Tolerance: h12
BL ₂	2,15 mm	Tolerance: H13 Slot dimensions suitable for retaining rings to DIN 471.
DN	59 mm	
L ₂	60,3 mm	Tolerance: H13 Holes symmetrical to bearing length L.
NL	3 mm	Tolerance: H13
m	426 g	Mass of bearing
C ₀	600000 N	The basic static load ratings stated here are no longer valid if the bearings are mounted in housings.

PAB50-PP-AS

Figure 1 , Figure 2

F _w	50 mm	
D	75 mm	Tolerance: h7
L	100 mm	Tolerance: h12
BL ₂	2,65 mm	Tolerance: H13 Slot dimensions suitable for retaining rings to DIN 471.
D _N	72 mm	
L ₂	77,3 mm	Tolerance: H13 Holes symmetrical to bearing length L.
NL	4 mm	Tolerance: H13
m	773 g	Mass of bearing
C ₀	1000000 N	The basic static load ratings stated here are no longer valid if the bearings are mounted in housings.