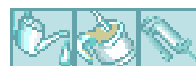
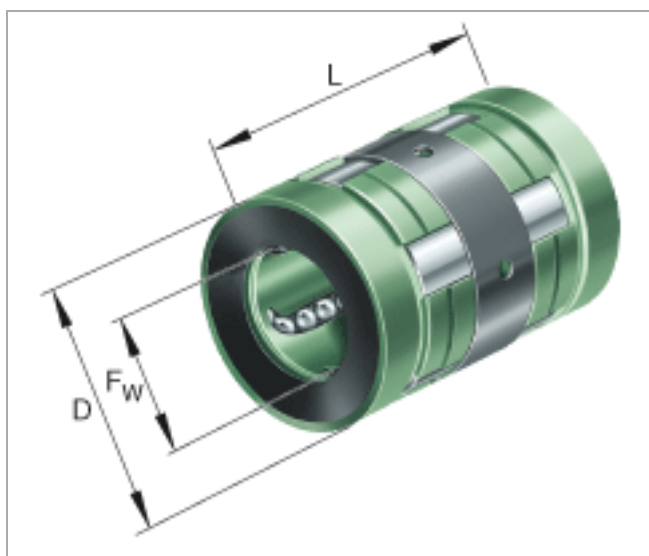




# Linear ball bearings KN..-B

closed design, with relubrication facility, adjustable angle

The datasheet is only an overview of dimensions and basic load ratings for the selected series. Please ensure that you note all the guidance in these overview pages. Further information is given on many products under the menu item "Description". You can also obtain comprehensive information material via Catalogue selection (<http://www.ina.de/content.ina.de/en/services/mediathek/library/library.jsp>), by e-mail ([kataloge@de.ina.com](mailto:kataloge@de.ina.com)) or telephone +49 (91 32) 82 - 28 97.



	F <sub>w</sub> mm	D mm	L mm
KN12-B	12	22	32
KN16-B	16	26	36
KN20-B	20	32	45
KN25-B	25	40	58
KN30-B	30	47	68
KN40-B	40	62	80
KN50-B	50	75	100

Figure 1

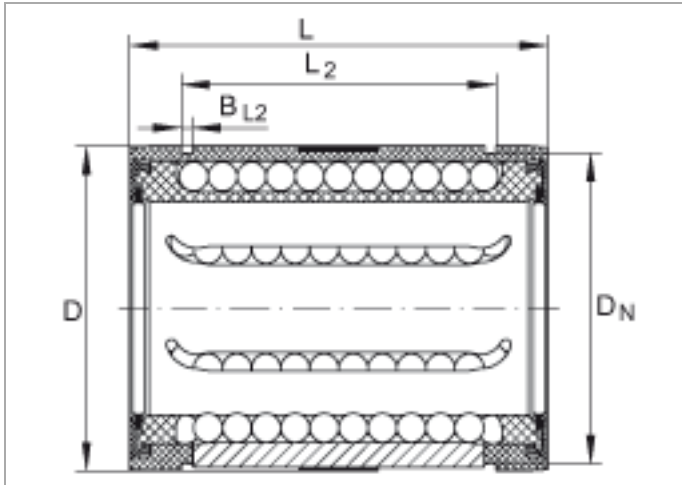


Figure 2

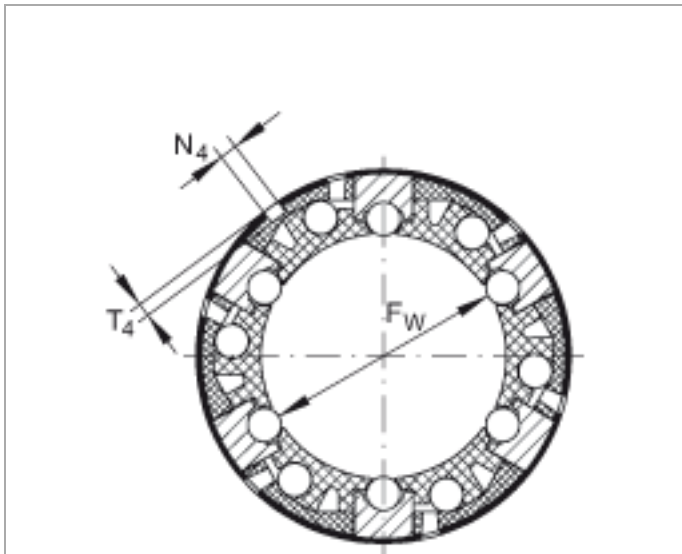
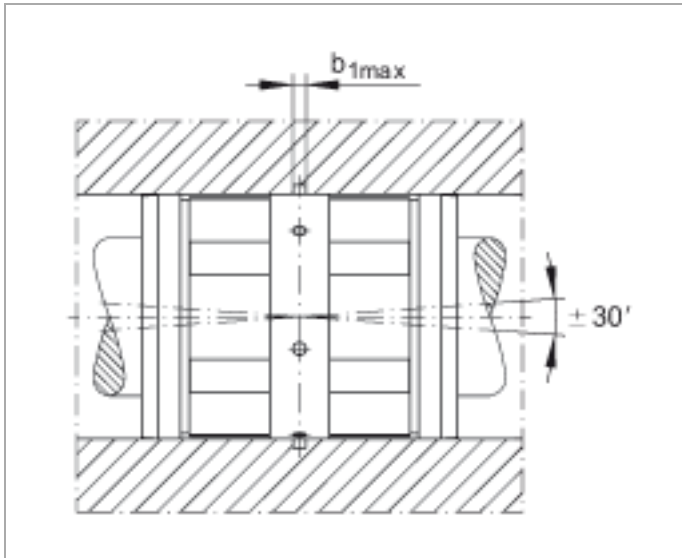


Figure 3



## KN12-B

Figure 1 , Figure 2 , Figure 3

Fw	12 mm	
D	22 mm	
L	32 mm	
	5	Number of rows of balls
1)		Main load direction
b1 max	1,5 mm	
BL2	1,3 mm	
DN	21 mm	
L2	22,6 mm	Tolerance: H13
N4	3 mm	Hole position symmetrical to bearing length L
T4	0,7 mm	
m	0,02 kg	Mass of bearing
		The basic load ratings are only valid for hardened (670+170 HV) and ground shaft raceways.
C <sub>min</sub>	730 N	Basic dynamic load rating
C <sub>0 min</sub>	510 N	Basic static load rating
C <sub>max</sub>	870 N	Basic dynamic load rating
C <sub>0 max</sub>	740 N	Basic static load rating
	22X1,2	Suitable retaining ring to DIN 471. Not included in delivery, must be ordered separately.

## KN16-B

Figure 1 , Figure 2 , Figure 3

F <sub>w</sub>	16 mm	
D	26 mm	
L	36 mm	
	5	Number of rows of balls
1)		Main load direction
b <sub>1 max</sub>	1,5 mm	
BL <sub>2</sub>	1,3 mm	
DN	25 mm	
L <sub>2</sub>	24,6 mm	Tolerance: H13
N <sub>4</sub>	3 mm	Hole position symmetrical to bearing width L
T <sub>4</sub>	0,7 mm	
m	0,03 kg	Mass of bearing
		The basic load ratings are only valid for hardened (670+170 HV) and ground shaft raceways.
C <sub>min</sub>	870 N	Basic dynamic load rating
C <sub>0 min</sub>	620 N	Basic static load rating
C <sub>max</sub>	1040 N	Basic dynamic load rating
C <sub>0 max</sub>	910 N	Basic static load rating
	26X1,2	Suitable retaining ring to DIN 471. Not included in delivery, must be ordered separately.

## KN20-B

Figure 1 , Figure 2 , Figure 3

Fw	20 mm	
D	32 mm	
L	45 mm	
	6	Number of rows of balls
1)		Main load direction
b1 max	2,5 mm	
BL2	1,6 mm	
DN	30,7 mm	
L2	31,2 mm	Tolerance: H13
N4	3 mm	Hole position symmetrical to bearing width L
T4	0,9 mm	
m	0,06 kg	Mass of bearing
		The basic load ratings are only valid for hardened (670+170 HV) and ground shaft raceways.
C <sub>min</sub>	1730 N	Basic dynamic load rating
C <sub>0 min</sub>	1230 N	Basic static load rating
C <sub>max</sub>	1830 N	Basic dynamic load rating
C <sub>0 max</sub>	1570 N	Basic static load rating
	32X1,5	Suitable retaining ring to DIN 471. Not included in delivery, must be ordered separately.

## KN25-B

Figure 1 , Figure 2 , Figure 3

F <sub>w</sub>	25 mm	
D	40 mm	
L	58 mm	
	6	Number of rows of balls
1)		Main load direction
b <sub>1 max</sub>	2,5 mm	
BL <sub>2</sub>	1,85 mm	
DN	38,5 mm	
L <sub>2</sub>	43,7 mm	Tolerance: H13
N <sub>4</sub>	3 mm	Hole position symmetrical to bearing width L
T <sub>4</sub>	1,4 mm	
m	0,13 kg	Mass of bearing
		The basic load ratings are only valid for hardened (670+170 HV) and ground shaft raceways.
C <sub>min</sub>	3100 N	Basic dynamic load rating
C <sub>0 min</sub>	2220 N	Basic static load rating
C <sub>max</sub>	3250 N	Basic dynamic load rating
C <sub>0 max</sub>	2850 N	Basic static load rating
	42X1,75	Suitable retaining ring to DIN 471. Not included in delivery, must be ordered separately.

## KN30-B

Figure 1 , Figure 2 , Figure 3

Fw	30 mm	
D	47 mm	
L	68 mm	
	6	Number of rows of balls
1)		Main load direction
b1 max	2,5 mm	
BL2	1,85 mm	
DN	44,7 mm	
L2	51,7 mm	Tolerance: H13
N4	3 mm	Hole position symmetrical to bearing width L
T4	2,2 mm	
m	0,19 kg	Mass of bearing
		The basic load ratings are only valid for hardened (670+170 HV) and ground shaft raceways.
C <sub>min</sub>	3750 N	Basic dynamic load rating
C <sub>0 min</sub>	2850 N	Basic static load rating
C <sub>max</sub>	3950 N	Basic dynamic load rating
C <sub>0 max</sub>	3650 N	Basic static load rating
	48X1,75	Suitable retaining ring to DIN 471. Not included in delivery, must be ordered separately.



## KN40-B

Figure 1 , Figure 2 , Figure 3

F <sub>w</sub>	40 mm	
D	62 mm	
L	80 mm	
	6	Number of rows of balls
1)		Main load direction
b <sub>1 max</sub>	3 mm	
BL <sub>2</sub>	2,15 mm	
DN	59,4 mm	
L <sub>2</sub>	60,3 mm	Tolerance: H13
N <sub>4</sub>	3 mm	Hole position symmetrical to bearing width L
T <sub>4</sub>	2,2 mm	
m	0,35 kg	Mass of bearing
		The basic load ratings are only valid for hardened (670+170 HV) and ground shaft raceways.
C <sub>min</sub>	6300 N	Basic dynamic load rating
C <sub>0 min</sub>	4350 N	Basic static load rating
C <sub>max</sub>	6700 N	Basic dynamic load rating
C <sub>0 max</sub>	5600 N	Basic static load rating
	63X2	Suitable retaining ring to DIN 471. Not included in delivery, must be ordered separately.

## KN50-B

Figure 1 , Figure 2 , Figure 3

F <sub>w</sub>	50 mm	
D	75 mm	
L	100 mm	
	6	Number of rows of balls
1)		Main load direction
b <sub>1 max</sub>	3 mm	
BL <sub>2</sub>	2,65 mm	
DN	71,4 mm	
L <sub>2</sub>	77,3 mm	Tolerance: H13
N <sub>4</sub>	5 mm	Hole position symmetrical to bearing width L
T <sub>4</sub>	2,3 mm	
m	0,67 kg	Mass of bearing
		The basic load ratings are only valid for hardened (670+170 HV) and ground shaft raceways.
C <sub>min</sub>	9300 N	Basic dynamic load rating
C <sub>0 min</sub>	6500 N	Basic static load rating
C <sub>max</sub>	9800 N	Basic dynamic load rating
C <sub>0 max</sub>	8300 N	Basic static load rating
	75X2,5	Suitable retaining ring to DIN 471. Not included in delivery, must be ordered separately.