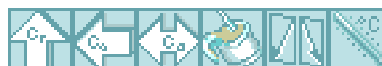
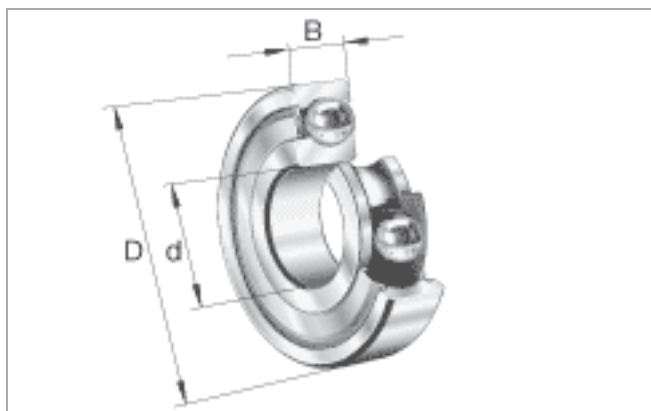




Deep groove ball bearings 60..-2Z

main dimensions to DIN 625-1, gap seals on both sides

The datasheet is only an overview of dimensions and basic load ratings for the selected series. Please ensure that you note all the guidance in these overview pages. Further information is given on many products under the menu item "Description". You can also request comprehensive information material via Catalogue selection (<http://www.fag.de/content.fag.de/en/services/mediathek/library/library.jsp>), by e-mail (sales_promotion@fag.de) or by telephone +49 (91 32) 82 - 28 97.



	d mm	D mm	B mm	
607-2Z		7	19	6
608-2Z		8	22	7
609-2Z		9	24	7
6000-2Z		10	26	8
6001-2Z		12	28	8
6002-2Z		15	32	9
6003-2Z		17	35	10
6004-2Z		20	42	12
6005-2Z		25	47	12
6006-2Z		30	55	13
6007-2Z		35	62	14
6008-2Z		40	68	15
6009-2Z		45	75	16
6010-2Z		50	80	16
6011-2Z		55	90	18
	d mm	D mm	B mm	

	d mm	D mm	B mm
6012-2Z	60	95	18
6013-2Z	65	100	18
6014-2Z	70	110	20
6015-2Z	75	115	20
6016-2Z	80	125	22
6017-2Z	85	130	22
6018-2Z	90	140	24
6020-2Z	100	150	24
6021-2Z	105	160	26
6022-2Z	110	170	28
6024-2Z	120	180	28
6026-2Z	130	200	33
6028-2Z	140	210	33
	d mm	D mm	B mm

Figure 1

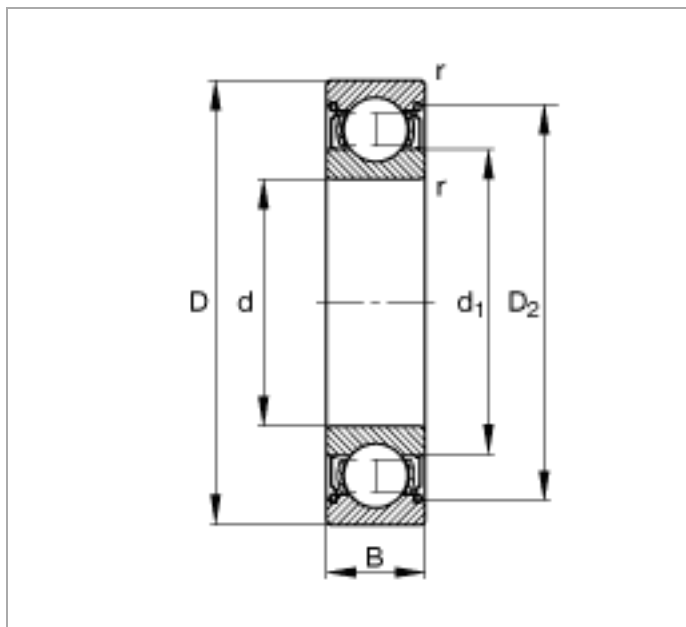
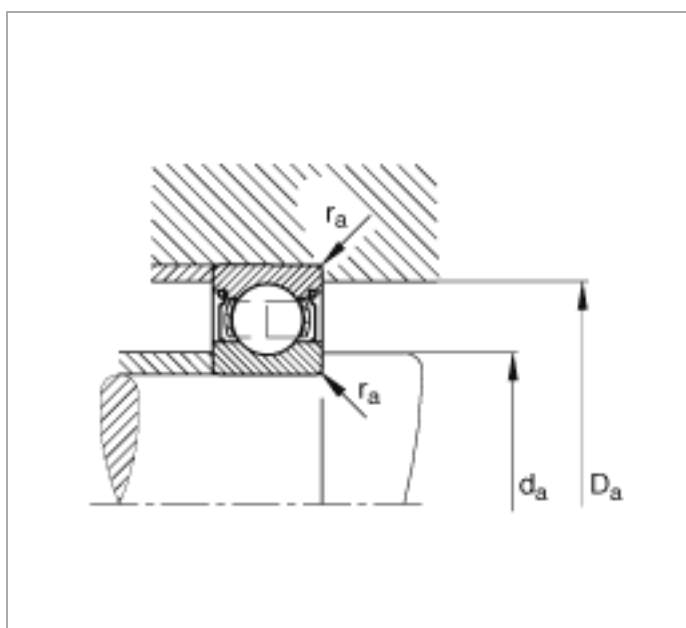


Figure 2



607-2Z

Figure 1 , Figure 2

d	7 mm	
D	19 mm	
B	6 mm	
d ₁	10,6 mm	
D ₂	16,7 mm	
D _{a max}	17 mm	
d _{a min}	9 mm	
r _{a max}	0,3 mm	
r _{min}	0,3 mm	
m	0,0080 kg	Mass
C _r	2600 N	Basic dynamic load rating, radial
C _{0r}	1060 N	Basic static load rating, radial
n _G	32000 1/min	Limiting speed
n _B	35000 1/min	Reference speed
C _{ur}	53 N	Fatigue limit load, radial

608-2Z

Figure 1 , Figure 2

d	8 mm	
D	22 mm	
B	7 mm	
d ₁	12,4 mm	
D ₂	19,1 mm	
D _{a max}	20 mm	
d _{a min}	10 mm	
r _{a max}	0,3 mm	
r _{min}	0,3 mm	
m	0,011 kg	Mass
C _r	3250 N	Basic dynamic load rating, radial
C _{0r}	1370 N	Basic static load rating, radial
n _G	30000 1/min	Limiting speed
n _B	31500 1/min	Reference speed
C _{ur}	72 N	Fatigue limit load, radial

609-2Z

Figure 1 , Figure 2

d	9 mm	
D	24 mm	
B	7 mm	
d ₁	14 mm	
D ₂	20,5 mm	
D _{a max}	22 mm	
d _{a min}	11 mm	
r _{a max}	0,3 mm	
r _{min}	0,3 mm	
m	0,016 kg	Mass
C _r	3650 N	Basic dynamic load rating, radial
C _{0r}	1630 N	Basic static load rating, radial
n _G	30000 1/min	Limiting speed
n _B	28000 1/min	Reference speed
C _{ur}	89 N	Fatigue limit load, radial

6000-2Z

Figure 1 , Figure 2

d	10 mm	
D	26 mm	
B	8 mm	
d ₁	14,7 mm	
D ₂	22,5 mm	
D _{a max}	24 mm	
d _{a min}	12 mm	
r _{a max}	0,3 mm	
r _{min}	0,3 mm	
m	0,02 kg	Mass
C _r	4550 N	Basic dynamic load rating, radial
C _{0r}	1960 N	Basic static load rating, radial
n _G	28000 1/min	Limiting speed
n _B	27500 1/min	Reference speed
C _{ur}	93 N	Fatigue limit load, radial

6001-2Z

Figure 1 , Figure 2

d	12 mm	
D	28 mm	
B	8 mm	
d ₁	16,7 mm	
D ₂	24,5 mm	
D _{a max}	26 mm	
d _{a min}	14 mm	
r _{a max}	0,3 mm	
r _{min}	0,3 mm	
m	0,02 kg	Mass
C _r	5100 N	Basic dynamic load rating, radial
C _{0r}	2360 N	Basic static load rating, radial
n _G	26000 1/min	Limiting speed
n _B	24200 1/min	Reference speed
C _{ur}	130 N	Fatigue limit load, radial

6002-2Z

Figure 1 , Figure 2

d	15 mm	
D	32 mm	
B	9 mm	
d ₁	20,5 mm	
D ₂	28,4 mm	
D _{a max}	30 mm	
d _{a min}	17 mm	
r _{a max}	0,3 mm	
r _{min}	0,3 mm	
m	0,033 kg	Mass
C _r	5600 N	Basic dynamic load rating, radial
C _{0r}	2850 N	Basic static load rating, radial
n _G	24000 1/min	Limiting speed
n _B	21500 1/min	Reference speed
C _{ur}	134 N	Fatigue limit load, radial

6003-2Z

Figure 1 , Figure 2

d	17 mm	
D	35 mm	
B	10 mm	
d ₁	22,7 mm	
D ₂	30,8 mm	
D _{a max}	33 mm	
d _{a min}	19 mm	
r _{a max}	0,3 mm	
r _{min}	0,3 mm	
m	0,04 kg	Mass
C _r	6000 N	Basic dynamic load rating, radial
C _{0r}	3250 N	Basic static load rating, radial
n _G	22000 1/min	Limiting speed
n _B	20300 1/min	Reference speed
C _{ur}	157 N	Fatigue limit load, radial

6004-2Z

Figure 1 , Figure 2

d	20 mm	
D	42 mm	
B	12 mm	
d ₁	26,6 mm	
D ₂	37,4 mm	
D _{a max}	38,8 mm	
d _{a min}	23,2 mm	
r _{a max}	0,6 mm	
r _{min}	0,6 mm	
m	0,071 kg	Mass
C _r	9300 N	Basic dynamic load rating, radial
C _{0r}	5000 N	Basic static load rating, radial
n _G	17000 1/min	Limiting speed
n _B	18200 1/min	Reference speed
C _{ur}	285 N	Fatigue limit load, radial

6005-2Z

Figure 1 , Figure 2

d	25 mm	
D	47 mm	
B	12 mm	
d ₁	32 mm	
D ₂	42,5 mm	
D _{a max}	43,8 mm	
d _{a min}	28,2 mm	
r _{a max}	0,6 mm	
r _{min}	0,6 mm	
m	0,083 kg	Mass
C _r	10000 N	Basic dynamic load rating, radial
C _{0r}	5850 N	Basic static load rating, radial
n _G	15000 1/min	Limiting speed
n _B	15200 1/min	Reference speed
C _{ur}	305 N	Fatigue limit load, radial

6006-2Z

Figure 1 , Figure 2

d	30 mm	
D	55 mm	
B	13 mm	
d ₁	38,3 mm	
D ₂	49,2 mm	
D _{a max}	50,4 mm	
d _{a min}	34,6 mm	
r _{a max}	1 mm	
r _{min}	1 mm	
m	0,126 kg	Mass
C _r	12700 N	Basic dynamic load rating, radial
C _{0r}	8000 N	Basic static load rating, radial
n _G	13000 1/min	Limiting speed
n _B	13100 1/min	Reference speed
C _{ur}	390 N	Fatigue limit load, radial

6007-2Z

Figure 1 , Figure 2

d	35 mm	
D	62 mm	
B	14 mm	
d ₁	43,2 mm	
D ₂	55,4 mm	
D _{a max}	57,4 mm	
d _{a min}	39,6 mm	
r _{a max}	1 mm	
r _{min}	1 mm	
m	0,163 kg	Mass
C _r	16000 N	Basic dynamic load rating, radial
C _{0r}	10200 N	Basic static load rating, radial
n _G	11000 1/min	Limiting speed
n _B	11700 1/min	Reference speed
C _{ur}	550 N	Fatigue limit load, radial

6008-2Z

Figure 1 , Figure 2

d	40 mm	
D	68 mm	
B	15 mm	
d ₁	49,3 mm	
D ₂	61,6 mm	
D _{a max}	63,4 mm	
d _{a min}	44,6 mm	
r _{a max}	1 mm	
r _{min}	1 mm	
m	0,2 kg	Mass
C _r	16600 N	Basic dynamic load rating, radial
C _{0r}	11600 N	Basic static load rating, radial
n _G	10000 1/min	Limiting speed
n _B	10600 1/min	Reference speed
C _{ur}	580 N	Fatigue limit load, radial

6009-2Z

Figure 1 , Figure 2

d	45 mm	
D	75 mm	
B	16 mm	
d ₁	54,2 mm	
D ₂	68 mm	
D _{a max}	70,4 mm	
d _{a min}	49,6 mm	
r _{a max}	1 mm	
r _{min}	1 mm	
m	0,253 kg	Mass
C _r	20000 N	Basic dynamic load rating, radial
C _{0r}	14300 N	Basic static load rating, radial
n _G	9000 1/min	Limiting speed
n _B	9700 1/min	Reference speed
C _{ur}	730 N	Fatigue limit load, radial

6010-2Z

Figure 1 , Figure 2

d	50 mm	
D	80 mm	
B	16 mm	
d ₁	59,8 mm	
D ₂	72,9 mm	
D _{a max}	75,4 mm	
d _{a min}	54,6 mm	
r _{a max}	1 mm	
r _{min}	1 mm	
m	0,282 kg	Mass
C _r	20800 N	Basic dynamic load rating, radial
C _{0r}	15600 N	Basic static load rating, radial
n _G	8500 1/min	Limiting speed
n _B	8900 1/min	Reference speed
C _{ur}	770 N	Fatigue limit load, radial

6011-2Z

Figure 1 , Figure 2

d	55 mm	
D	90 mm	
B	18 mm	
d ₁	66,2 mm	
D ₂	81,5 mm	
D _{a max}	84 mm	
d _{a min}	61 mm	
r _{a max}	1 mm	
r _{min}	1,1 mm	
m	0,409 kg	Mass
C _r	28500 N	Basic dynamic load rating, radial
C _{0r}	21200 N	Basic static load rating, radial
n _G	7500 1/min	Limiting speed
n _B	8300 1/min	Reference speed
C _{ur}	1120 N	Fatigue limit load, radial

6012-2Z

Figure 1 , Figure 2

d	60 mm	
D	95 mm	
B	18 mm	
d ₁	71,3 mm	
D ₂	86 mm	
D _{a max}	89 mm	
d _{a min}	66 mm	
r _{a max}	1 mm	
r _{min}	1,1 mm	
m	0,431 kg	Mass
C _r	29000 N	Basic dynamic load rating, radial
C _{0r}	23200 N	Basic static load rating, radial
n _G	7000 1/min	Limiting speed
n _B	7600 1/min	Reference speed
C _{ur}	1190 N	Fatigue limit load, radial

6013-2Z

Figure 1 , Figure 2

d	65 mm	
D	100 mm	
B	18 mm	
d ₁	76,2 mm	
D ₂	91,5 mm	
D _{a max}	94 mm	
d _{a min}	71 mm	
r _{a max}	1 mm	
r _{min}	1,1 mm	
m	0,464 kg	Mass
C _r	30500 N	Basic dynamic load rating, radial
C _{0r}	25000 N	Basic static load rating, radial
n _G	6300 1/min	Limiting speed
n _B	7100 1/min	Reference speed
C _{ur}	1270 N	Fatigue limit load, radial

6014-2Z

Figure 1 , Figure 2

d	70 mm	
D	110 mm	
B	20 mm	
d ₁	82,8 mm	
D ₂	100 mm	
D _{a max}	104 mm	
d _{a min}	76 mm	
r _{a max}	1 mm	
r _{min}	1,1 mm	
m	0,642 kg	Mass
C _r	38000 N	Basic dynamic load rating, radial
C _{0r}	31000 N	Basic static load rating, radial
n _G	6000 1/min	Limiting speed
n _B	6800 1/min	Reference speed
C _{ur}	1850 N	Fatigue limit load, radial

6015-2Z

Figure 1 , Figure 2

d	75 mm	
D	115 mm	
B	20 mm	
d ₁	88,1 mm	
D ₂	105,3 mm	
D _{a max}	109 mm	
d _{a min}	81 mm	
r _{a max}	1 mm	
r _{min}	1,1 mm	
m	0,676 kg	Mass
C _r	39000 N	Basic dynamic load rating, radial
C _{0r}	33500 N	Basic static load rating, radial
n _G	5600 1/min	Limiting speed
n _B	6300 1/min	Reference speed
C _{ur}	1960 N	Fatigue limit load, radial

6016-2Z

Figure 1 , Figure 2

d	80 mm	
D	125 mm	
B	22 mm	
d ₁	93,7 mm	
D ₂	113,7 mm	
D _{a max}	119 mm	
d _{a min}	86 mm	
r _{a max}	1 mm	
r _{min}	1,1 mm	
m	0,893 kg	Mass
C _r	47500 N	Basic dynamic load rating, radial
C _{0r}	40000 N	Basic static load rating, radial
n _G	5000 1/min	Limiting speed
n _B	6100 1/min	Reference speed
C _{ur}	2340 N	Fatigue limit load, radial

6017-2Z

Figure 1 , Figure 2

d	85 mm	
D	130 mm	
B	22 mm	
d ₁	99,2 mm	
D ₂	119,2 mm	
D _{a max}	124 mm	
d _{a min}	91 mm	
r _{a max}	1 mm	
r _{min}	1,1 mm	
m	0,94 kg	Mass
C _r	49000 N	Basic dynamic load rating, radial
C _{0r}	43000 N	Basic static load rating, radial
n _G	4800 1/min	Limiting speed
n _B	5800 1/min	Reference speed
C _{ur}	2430 N	Fatigue limit load, radial

6018-2Z

Figure 1 , Figure 2

d	90 mm	
D	140 mm	
B	24 mm	
d ₁	106,2 mm	
D ₂	126,8 mm	
D _{a max}	133 mm	
d _{a min}	97 mm	
r _{a max}	1,5 mm	
r _{min}	1,5 mm	
m	1,23 kg	Mass
C _r	58500 N	Basic dynamic load rating, radial
C _{0r}	50000 N	Basic static load rating, radial
n _G	4500 1/min	Limiting speed
n _B	5600 1/min	Reference speed
C _{ur}	2650 N	Fatigue limit load, radial

6020-2Z

Figure 1 , Figure 2

d	100 mm	
D	150 mm	
B	24 mm	
d ₁	116,2 mm	
D ₂	137,3 mm	
D _{a max}	143 mm	
d _{a min}	107 mm	
r _{a max}	1,5 mm	
r _{min}	1,5 mm	
m	1,35 kg	Mass
C _r	60000 N	Basic dynamic load rating, radial
C _{0r}	54000 N	Basic static load rating, radial
n _G	4000 1/min	Limiting speed
n _B	5100 1/min	Reference speed
C _{ur}	2700 N	Fatigue limit load, radial

6021-2Z

Figure 1 , Figure 2

d	105 mm	
D	160 mm	
B	26 mm	
d ₁	121,7 mm	
D ₂	145,3 mm	
D _{a max}	151,2 mm	
d _{a min}	113,8 mm	
r _{a max}	2 mm	
r _{min}	2 mm	
m	1,7 kg	Mass
C _r	71000 N	Basic dynamic load rating, radial
C _{0r}	64000 N	Basic static load rating, radial
n _G	3800 1/min	Limiting speed
n _B	5000 1/min	Reference speed
C _{ur}	3100 N	Fatigue limit load, radial

6022-2Z

Figure 1 , Figure 2

d	110 mm	
D	170 mm	
B	28 mm	
d ₁	128,7 mm	
D ₂	155 mm	
D _{a max}	161,2 mm	
d _{a min}	118,8 mm	
r _{a max}	2 mm	
r _{min}	2 mm	
m	2,11 kg	Mass
C _r	80000 N	Basic dynamic load rating, radial
C _{0r}	71000 N	Basic static load rating, radial
n _G	3600 1/min	Limiting speed
n _B	4850 1/min	Reference speed
C _{ur}	3450 N	Fatigue limit load, radial

6024-2Z

Figure 1 , Figure 2

d	120 mm	
D	180 mm	
B	28 mm	
d ₁	139,4 mm	
D ₂	165,4 mm	
D _{a max}	171,2 mm	
d _{a min}	128,8 mm	
r _{a max}	2 mm	
r _{min}	2 mm	
m	2,23 kg	Mass
C _r	83000 N	Basic dynamic load rating, radial
C _{0r}	78000 N	Basic static load rating, radial
n _G	3400 1/min	Limiting speed
n _B	4450 1/min	Reference speed
C _{ur}	3550 N	Fatigue limit load, radial

6026-2Z

Figure 1 , Figure 2

d	130 mm	
D	200 mm	
B	33 mm	
d ₁	152,9 mm	
D ₂	182,1 mm	
D _{a max}	191,2 mm	
d _{a min}	138,8 mm	
r _{a max}	2 mm	
r _{min}	2 mm	
m	3,4 kg	Mass
C _r	106000 N	Basic dynamic load rating, radial
C _{0r}	100000 N	Basic static load rating, radial
n _G	3000 1/min	Limiting speed
n _B	4350 1/min	Reference speed
C _{ur}	4850 N	Fatigue limit load, radial

6028-2Z

Figure 1 , Figure 2

d	140 mm	
D	210 mm	
B	33 mm	
d ₁	161,9 mm	
D ₂	191,3 mm	
D _{a max}	201,2 mm	
d _{a min}	148,8 mm	
r _{a max}	2 mm	
r _{min}	2 mm	
m	3,65 kg	Mass
C _r	108000 N	Basic dynamic load rating, radial
C _{0r}	108000 N	Basic static load rating, radial
n _G	2800 1/min	Limiting speed
n _B	4050 1/min	Reference speed
C _{ur}	4950 N	Fatigue limit load, radial