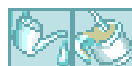
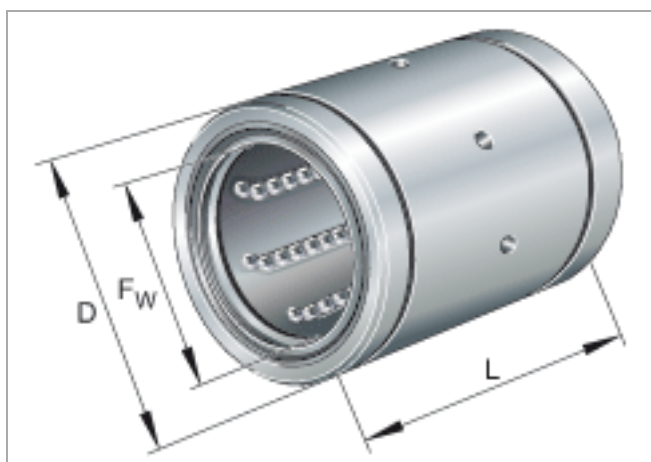




Linear ball bearings KB

corrosion-resistant design possible

The datasheet is only an overview of dimensions and basic load ratings for the selected series. Please ensure that you note all the guidance in these overview pages. Further information is given on many products under the menu item "Description". You can also obtain comprehensive information material via Catalogue selection (<http://www.ina.de/content.ina.de/en/services/mediathek/library/library.jsp>), by e-mail (kataloge@de.ina.com) or telephone +49 (91 32) 82 - 28 97.



	F _w mm	D mm	L mm
KB12	12	22	32
KB16	16	26	36
KB20	20	32	45
KB25	25	40	58
KB30	30	47	68
KB40	40	62	80
KB50	50	75	100

Figure 1

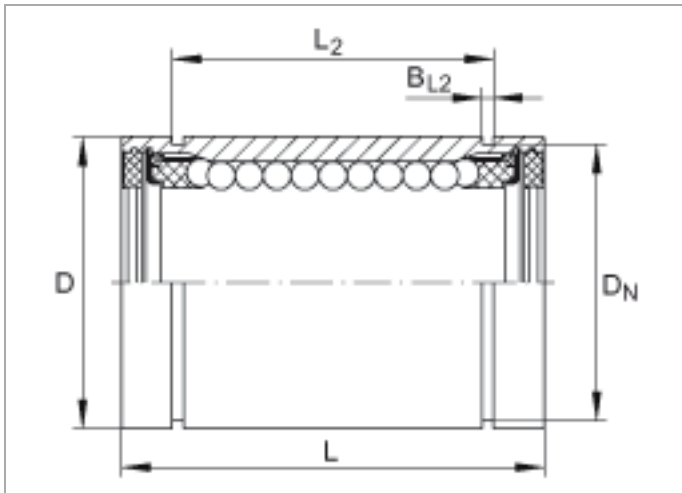
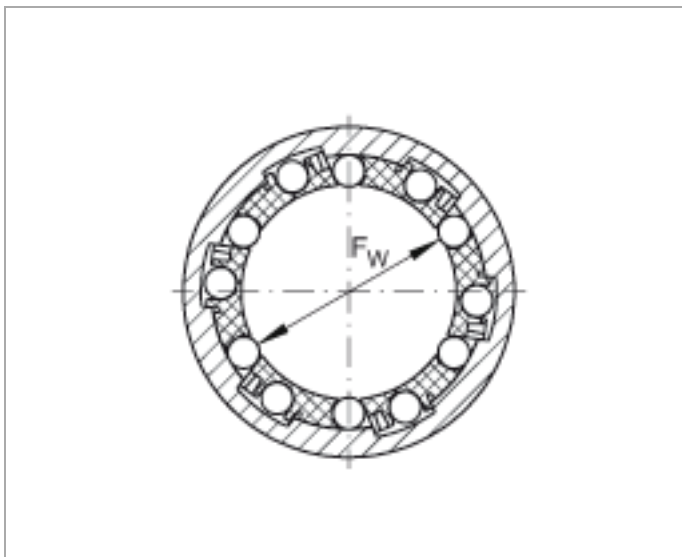


Figure 2



KB12

Figure 1 , Figure 2

F _w	12 mm	Tolerance: +0,008 / 0
D	22 mm	Tolerance: h5
L	32 mm	Tolerance: h12
	5	Number of rows of balls
BL ₂	1,3 mm	Slot dimensions suitable for retaining rings to DIN 471.
DN	21 mm	Slot dimensions suitable for retaining rings to DIN 471.
L ₂	22,6 mm	Tolerance: H13
		Supplied coated with a preservative
m	0,04 kg	Mass of bearing
C _{min}	540 N	The basic load ratings are only valid for hardened (670+170 HV) and ground shaft raceways.
C _{0 min}	385 N	The basic load ratings are only valid for hardened (670+170 HV) and ground shaft raceways.
C _{max}	640 N	The basic load ratings are only valid for hardened (670+170 HV) and ground shaft raceways.
C _{0 max}	570 N	The basic load ratings are only valid for hardened (670+170 HV) and ground shaft raceways.

KB16

Figure 1 , Figure 2

F _w	16 mm	Tolerance: +0,009 / -0,001
D	26 mm	Tolerance: h5
L	36 mm	Tolerance: h12
	5	Number of rows of balls
BL ₂	1,3 mm	Slot dimensions suitable for retaining rings to DIN 471.
DN	24,9 mm	Slot dimensions suitable for retaining rings to DIN 471.
L ₂	24,6 mm	Tolerance: H13
		Supplied coated with a preservative
m	0,05 kg	Mass of bearing
C _{min}	710 N	The basic load ratings are only valid for hardened (670+170 HV) and ground shaft raceways.
C _{0 min}	530 N	The basic load ratings are only valid for hardened (670+170 HV) and ground shaft raceways.
C _{max}	840 N	The basic load ratings are only valid for hardened (670+170 HV) and ground shaft raceways.
C _{0 max}	780 N	The basic load ratings are only valid for hardened (670+170 HV) and ground shaft raceways.

KB20

Figure 1 , Figure 2

F _w	20 mm	Tolerance: +0,009 / -0,001
D	32 mm	Tolerance: h5
L	45 mm	Tolerance: h12
	6	Number of rows of balls
BL ₂	1,6 mm	Slot dimensions suitable for retaining rings to DIN 471.
DN	30,3 mm	Slot dimensions suitable for retaining rings to DIN 471.
L ₂	31,2 mm	Tolerance: H13
		Supplied coated with a preservative
m	0,09 kg	Mass of bearing
C _{min}	1570 N	The basic load ratings are only valid for hardened (670+170 HV) and ground shaft raceways.
C _{0 min}	1230 N	The basic load ratings are only valid for hardened (670+170 HV) and ground shaft raceways.
C _{max}	1660 N	The basic load ratings are only valid for hardened (670+170 HV) and ground shaft raceways.
C _{0 max}	1570 N	The basic load ratings are only valid for hardened (670+170 HV) and ground shaft raceways.

KB25

Figure 1 , Figure 2

Fw	25 mm	Tolerance: +0,011 / -0,001
D	40 mm	Tolerance: h5
L	58 mm	Tolerance: h12
	6	Number of rows of balls
BL2	1,85 mm	Slot dimensions suitable for retaining rings to DIN 471.
DN	37,5 mm	Slot dimensions suitable for retaining rings to DIN 471.
L2	43,7 mm	Tolerance: H13
		Supplied coated with a preservative
m	0,19 kg	Mass of bearing
C _{min}	2800 N	The basic load ratings are only valid for hardened (670+170 HV) and ground shaft raceways.
C _{0 min}	2220 N	The basic load ratings are only valid for hardened (670+170 HV) and ground shaft raceways.
C _{max}	2950 N	The basic load ratings are only valid for hardened (670+170 HV) and ground shaft raceways.
C _{0 max}	2850 N	The basic load ratings are only valid for hardened (670+170 HV) and ground shaft raceways.

KB30

Figure 1 , Figure 2

F _w	30 mm	Tolerance: +0,011 / -0,001
D	47 mm	Tolerance: h5
L	68 mm	Tolerance: h12
	6	Number of rows of balls
BL ₂	1,85 mm	Slot dimensions suitable for retaining rings to DIN 471.
DN	44,5 mm	Slot dimensions suitable for retaining rings to DIN 471.
L ₂	51,7 mm	Tolerance: H13
		Supplied coated with a preservative
m	0,3 kg	Mass of bearing
C _{min}	3600 N	The basic load ratings are only valid for hardened (670+170 HV) and ground shaft raceways.
C _{0 min}	2850 N	The basic load ratings are only valid for hardened (670+170 HV) and ground shaft raceways.
C _{max}	3800 N	The basic load ratings are only valid for hardened (670+170 HV) and ground shaft raceways.
C _{0 max}	3600 N	The basic load ratings are only valid for hardened (670+170 HV) and ground shaft raceways.

KB40

Figure 1 , Figure 2

F _w	40 mm	Tolerance: +0,013 / -0,002
D	62 mm	Tolerance: h5
L	80 mm	Tolerance: h12
	6	Number of rows of balls
BL ₂	2,15 mm	Slot dimensions suitable for retaining rings to DIN 471.
DN	59 mm	Slot dimensions suitable for retaining rings to DIN 471.
L ₂	60,3 mm	Tolerance: H13
		Supplied coated with a preservative
m	0,6 kg	Mass of bearing
C _{min}	6000 N	The basic load ratings are only valid for hardened (670+170 HV) and ground shaft raceways.
C _{0 min}	4400 N	The basic load ratings are only valid for hardened (670+170 HV) and ground shaft raceways.
C _{max}	6400 N	The basic load ratings are only valid for hardened (670+170 HV) and ground shaft raceways.
C _{0 max}	5600 N	The basic load ratings are only valid for hardened (670+170 HV) and ground shaft raceways.

KB50

Figure 1 , Figure 2

F _w	50 mm	Tolerance: +0,013 / -0,002
D	75 mm	Tolerance: h5
L	100 mm	Tolerance: h12
	6	Number of rows of balls
BL ₂	2,65 mm	Slot dimensions suitable for retaining rings to DIN 471.
DN	72 mm	Slot dimensions suitable for retaining rings to DIN 471.
L ₂	77,3 mm	Tolerance: H13
		Supplied coated with a preservative
m	1 kg	Mass of bearing
C _{min}	8700 N	The basic load ratings are only valid for hardened (670+170 HV) and ground shaft raceways.
C _{0 min}	6300 N	The basic load ratings are only valid for hardened (670+170 HV) and ground shaft raceways.
C _{max}	9200 N	The basic load ratings are only valid for hardened (670+170 HV) and ground shaft raceways.
C _{0 max}	8000 N	The basic load ratings are only valid for hardened (670+170 HV) and ground shaft raceways.