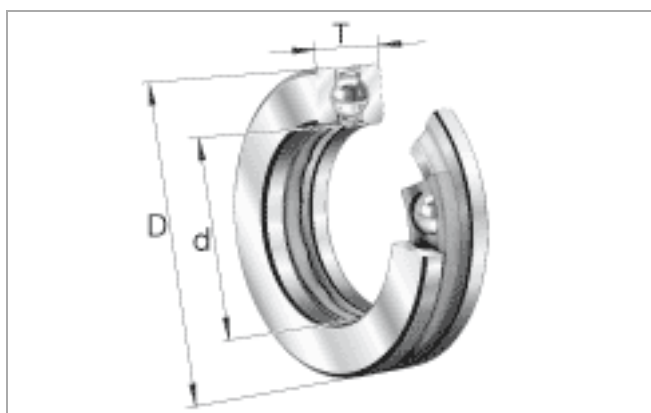




Axial deep groove ball bearings 512

main dimensions to DIN 711/ISO 104, single direction,
separable

The datasheet is only an overview of dimensions and basic load ratings for the selected series. Please ensure that you note all the guidance in these overview pages. Further information is given on many products under the menu item "Description". You can also request comprehensive information material via Catalogue selection (<http://www.fag.de/content.fag.de/en/services/mediathek/library/library.jsp>), by e-mail (sales_promotion@fag.de) or by telephone +49 (91 32) 82 - 28 97.



| | d mm | D mm | T mm |
|-------|---------|---------|---------|
| 51200 | 10 | 26 | 11 |
| 51201 | 12 | 28 | 11 |
| 51202 | 15 | 32 | 12 |
| 51203 | 17 | 35 | 12 |
| 51204 | 20 | 40 | 14 |
| 51205 | 25 | 47 | 15 |
| 51206 | 30 | 52 | 16 |
| 51207 | 35 | 62 | 18 |
| 51208 | 40 | 68 | 19 |
| 51209 | 45 | 73 | 20 |
| 51210 | 50 | 78 | 22 |
| 51211 | 55 | 90 | 25 |
| 51212 | 60 | 95 | 26 |
| 51213 | 65 | 100 | 27 |
| | d mm | D mm | T mm |

| | d mm | D mm | T mm |
|----------|---------|---------|---------|
| 51214 | 70 | 105 | 27 |
| 51215 | 75 | 110 | 27 |
| 51216 | 80 | 115 | 28 |
| 51217 | 85 | 125 | 31 |
| 51218 | 90 | 135 | 35 |
| 51220 | 100 | 150 | 38 |
| 51222 | 110 | 160 | 38 |
| 51224 | 120 | 170 | 39 |
| 51226 | 130 | 190 | 45 |
| 51228 | 140 | 200 | 46 |
| 51230-MP | 150 | 215 | 50 |
| 51232-MP | 160 | 225 | 51 |
| 51234-MP | 170 | 240 | 55 |
| 51236-MP | 180 | 250 | 56 |
| 51238-MP | 190 | 270 | 62 |
| 51240-MP | 200 | 280 | 62 |
| 51244-MP | 220 | 300 | 63 |
| 51248-MP | 240 | 340 | 78 |
| 51252-MP | 260 | 360 | 79 |
| 51256-MP | 280 | 380 | 80 |
| 51260-MP | 300 | 420 | 95 |
| 51264-MP | 320 | 440 | 95 |
| 51268-MP | 340 | 460 | 96 |
| 51272-MP | 360 | 500 | 110 |
| | d mm | D mm | T mm |

Figure 1

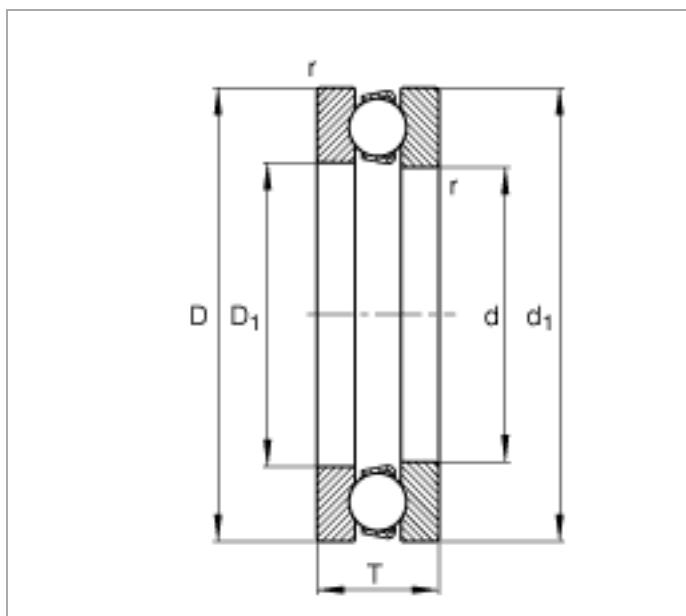
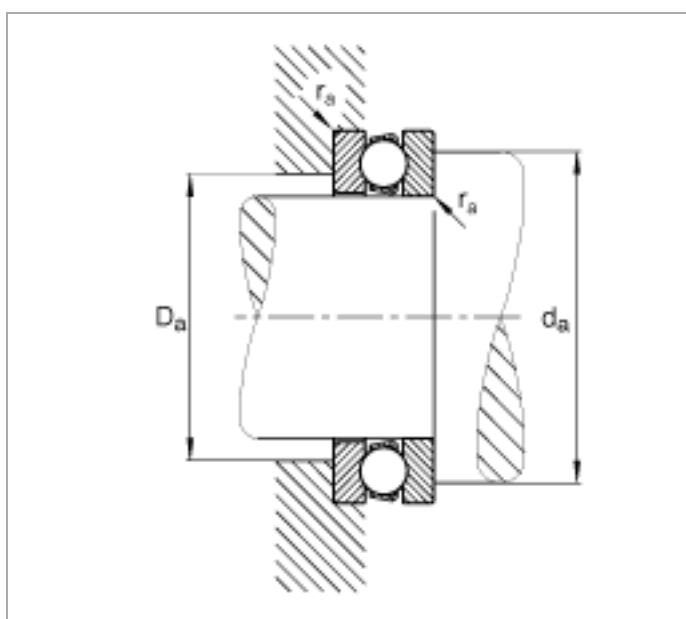


Figure 2



51200

Figure 1 , Figure 2

| | | |
|--------------------|------------|----------------------------------|
| d | 10 mm | |
| D | 26 mm | |
| T | 11 mm | |
| D ₁ | 12 mm | |
| d ₁ | 26 mm | |
| D _{a max} | 16 mm | |
| d _{a min} | 20 mm | |
| r _{a max} | 0,6 mm | |
| r _{min} | 0,6 mm | |
| m | 0,029 kg | Mass |
| C _a | 12700 N | Basic dynamic load rating, axial |
| C _{0a} | 17000 N | Basic static load rating, axial |
| M | 0,0020 | Minimum load constant |
| n _G | 8000 1/min | Limiting speed |
| C _{ua} | 760 N | Fatigue limit load, axial |

51201

Figure 1, Figure 2

| | | |
|--------------------|------------|----------------------------------|
| d | 12 mm | |
| D | 28 mm | |
| T | 11 mm | |
| D ₁ | 14 mm | |
| d ₁ | 28 mm | |
| D _{a max} | 18 mm | |
| d _{a min} | 22 mm | |
| r _{a max} | 0,6 mm | |
| r _{min} | 0,6 mm | |
| m | 0,032 kg | Mass |
| C _a | 13200 N | Basic dynamic load rating, axial |
| C _{0a} | 19000 N | Basic static load rating, axial |
| M | 0,0020 | Minimum load constant |
| n _G | 8000 1/min | Limiting speed |
| C _{ua} | 840 N | Fatigue limit load, axial |

51202

Figure 1, Figure 2

| | | |
|--------------------|------------|----------------------------------|
| d | 15 mm | |
| D | 32 mm | |
| T | 12 mm | |
| D ₁ | 17 mm | |
| d ₁ | 32 mm | |
| D _{a max} | 22 mm | |
| d _{a min} | 25 mm | |
| r _{a max} | 0,6 mm | |
| r _{min} | 0,6 mm | |
| m | 0,043 kg | Mass |
| C _a | 16600 N | Basic dynamic load rating, axial |
| C _{0a} | 25000 N | Basic static load rating, axial |
| M | 0,0030 | Minimum load constant |
| n _G | 6700 1/min | Limiting speed |
| C _{ua} | 1100 N | Fatigue limit load, axial |

51203

Figure 1, Figure 2

| | | |
|--------------------|------------|----------------------------------|
| d | 17 mm | |
| D | 35 mm | |
| T | 12 mm | |
| D ₁ | 19 mm | |
| d ₁ | 35 mm | |
| D _{a max} | 24 mm | |
| d _{a min} | 28 mm | |
| r _{a max} | 0,6 mm | |
| r _{min} | 0,6 mm | |
| m | 0,05 kg | Mass |
| C _a | 17300 N | Basic dynamic load rating, axial |
| C _{0a} | 27500 N | Basic static load rating, axial |
| M | 0,0040 | Minimum load constant |
| n _G | 6700 1/min | Limiting speed |
| C _{ua} | 1210 N | Fatigue limit load, axial |

51204

Figure 1, Figure 2

| | | |
|--------------------|------------|----------------------------------|
| d | 20 mm | |
| D | 40 mm | |
| T | 14 mm | |
| D ₁ | 22 mm | |
| d ₁ | 40 mm | |
| D _{a max} | 28 mm | |
| d _{a min} | 32 mm | |
| r _{a max} | 0,6 mm | |
| r _{min} | 0,6 mm | |
| m | 0,082 kg | Mass |
| C _a | 22400 N | Basic dynamic load rating, axial |
| C _{0a} | 37500 N | Basic static load rating, axial |
| M | 0,0080 | Minimum load constant |
| n _G | 5600 1/min | Limiting speed |
| C _{ua} | 1660 N | Fatigue limit load, axial |

51205

Figure 1 , Figure 2

| | | |
|--------------------|------------|----------------------------------|
| d | 25 mm | |
| D | 47 mm | |
| T | 15 mm | |
| D ₁ | 27 mm | |
| d ₁ | 47 mm | |
| D _{a max} | 34 mm | |
| d _{a min} | 38 mm | |
| r _{a max} | 0,6 mm | |
| r _{min} | 0,6 mm | |
| m | 0,114 kg | Mass |
| C _a | 28000 N | Basic dynamic load rating, axial |
| C _{0a} | 50000 N | Basic static load rating, axial |
| M | 0,013 | Minimum load constant |
| n _G | 5000 1/min | Limiting speed |
| C _{ua} | 2220 N | Fatigue limit load, axial |

51206

Figure 1, Figure 2

| | | |
|--------------------|------------|----------------------------------|
| d | 30 mm | |
| D | 52 mm | |
| T | 16 mm | |
| D ₁ | 32 mm | |
| d ₁ | 52 mm | |
| D _{a max} | 39 mm | |
| d _{a min} | 43 mm | |
| r _{a max} | 0,6 mm | |
| r _{min} | 0,6 mm | |
| m | 0,136 kg | Mass |
| C _a | 25000 N | Basic dynamic load rating, axial |
| C _{0a} | 46500 N | Basic static load rating, axial |
| M | 0,014 | Minimum load constant |
| n _G | 4800 1/min | Limiting speed |
| C _{ua} | 2040 N | Fatigue limit load, axial |

51207

Figure 1, Figure 2

| | | |
|--------------------|------------|----------------------------------|
| d | 35 mm | |
| D | 62 mm | |
| T | 18 mm | |
| D ₁ | 37 mm | |
| d ₁ | 62 mm | |
| D _{a max} | 46 mm | |
| d _{a min} | 51 mm | |
| r _{a max} | 1 mm | |
| r _{min} | 1 mm | |
| m | 0,198 kg | Mass |
| C _a | 35500 N | Basic dynamic load rating, axial |
| C _{0a} | 67000 N | Basic static load rating, axial |
| M | 0,028 | Minimum load constant |
| n _G | 4000 1/min | Limiting speed |
| C _{ua} | 3000 N | Fatigue limit load, axial |

51208

Figure 1 , Figure 2

| | | |
|--------------------|------------|----------------------------------|
| d | 40 mm | |
| D | 68 mm | |
| T | 19 mm | |
| D ₁ | 42 mm | |
| d ₁ | 68 mm | |
| D _{a max} | 51 mm | |
| d _{a min} | 57 mm | |
| r _{a max} | 1 mm | |
| r _{min} | 1 mm | |
| m | 0,257 kg | Mass |
| C _a | 46500 N | Basic dynamic load rating, axial |
| C _{0a} | 98000 N | Basic static load rating, axial |
| M | 0,05 | Minimum load constant |
| n _G | 3800 1/min | Limiting speed |
| C _{ua} | 4300 N | Fatigue limit load, axial |

51209

Figure 1 , Figure 2

| | | |
|--------------------|------------|----------------------------------|
| d | 45 mm | |
| D | 73 mm | |
| T | 20 mm | |
| D ₁ | 47 mm | |
| d ₁ | 73 mm | |
| D _{a max} | 56 mm | |
| d _{a min} | 62 mm | |
| r _{a max} | 1 mm | |
| r _{min} | 1 mm | |
| m | 0,279 kg | Mass |
| C _a | 39000 N | Basic dynamic load rating, axial |
| C _{0a} | 80000 N | Basic static load rating, axial |
| M | 0,043 | Minimum load constant |
| n _G | 3600 1/min | Limiting speed |
| C _{ua} | 3550 N | Fatigue limit load, axial |

51210

Figure 1, Figure 2

| | | |
|--------------------|------------|----------------------------------|
| d | 50 mm | |
| D | 78 mm | |
| T | 22 mm | |
| D ₁ | 52 mm | |
| d ₁ | 78 mm | |
| D _{a max} | 61 mm | |
| d _{a min} | 67 mm | |
| r _{a max} | 1 mm | |
| r _{min} | 1 mm | |
| m | 0,346 kg | Mass |
| C _a | 50000 N | Basic dynamic load rating, axial |
| C _{0a} | 106000 N | Basic static load rating, axial |
| M | 0,07 | Minimum load constant |
| n _G | 3400 1/min | Limiting speed |
| C _{ua} | 4700 N | Fatigue limit load, axial |

51211

Figure 1 , Figure 2

| | | |
|--------------------|------------|----------------------------------|
| d | 55 mm | |
| D | 90 mm | |
| T | 25 mm | |
| D ₁ | 57 mm | |
| d ₁ | 90 mm | |
| D _{a max} | 69 mm | |
| d _{a min} | 76 mm | |
| r _{a max} | 1 mm | |
| r _{min} | 1 mm | |
| m | 0,382 kg | Mass |
| C _a | 61000 N | Basic dynamic load rating, axial |
| C _{0a} | 134000 N | Basic static load rating, axial |
| M | 0,11 | Minimum load constant |
| n _G | 3200 1/min | Limiting speed |
| C _{ua} | 6100 N | Fatigue limit load, axial |

51212

Figure 1, Figure 2

| | | |
|--------------------|------------|----------------------------------|
| d | 60 mm | |
| D | 95 mm | |
| T | 26 mm | |
| D ₁ | 62 mm | |
| d ₁ | 95 mm | |
| D _{a max} | 74 mm | |
| d _{a min} | 81 mm | |
| r _{a max} | 1 mm | |
| r _{min} | 1 mm | |
| m | 0,649 kg | Mass |
| C _a | 62000 N | Basic dynamic load rating, axial |
| C _{0a} | 140000 N | Basic static load rating, axial |
| M | 0,12 | Minimum load constant |
| n _G | 3000 1/min | Limiting speed |
| C _{ua} | 6200 N | Fatigue limit load, axial |

51213

Figure 1 , Figure 2

| | | |
|--------------------|------------|----------------------------------|
| d | 65 mm | |
| D | 100 mm | |
| T | 27 mm | |
| D ₁ | 67 mm | |
| d ₁ | 100 mm | |
| D _{a max} | 79 mm | |
| d _{a min} | 86 mm | |
| r _{a max} | 1 mm | |
| r _{min} | 1 mm | |
| m | 0,684 kg | Mass |
| C _a | 64000 N | Basic dynamic load rating, axial |
| C _{0a} | 150000 N | Basic static load rating, axial |
| M | 0,14 | Minimum load constant |
| n _G | 3000 1/min | Limiting speed |
| C _{ua} | 6600 N | Fatigue limit load, axial |

51214

Figure 1, Figure 2

| | | |
|--------------------|------------|----------------------------------|
| d | 70 mm | |
| D | 105 mm | |
| T | 27 mm | |
| D ₁ | 72 mm | |
| d ₁ | 105 mm | |
| D _{a max} | 84 mm | |
| d _{a min} | 91 mm | |
| r _{a max} | 1 mm | |
| r _{min} | 1 mm | |
| m | 0,727 kg | Mass |
| C _a | 65500 N | Basic dynamic load rating, axial |
| C _{0a} | 160000 N | Basic static load rating, axial |
| M | 0,16 | Minimum load constant |
| n _G | 2800 1/min | Limiting speed |
| C _{ua} | 7000 N | Fatigue limit load, axial |

51215

Figure 1 , Figure 2

| | | |
|--------------------|------------|----------------------------------|
| d | 75 mm | |
| D | 110 mm | |
| T | 27 mm | |
| D ₁ | 77 mm | |
| d ₁ | 110 mm | |
| D _{a max} | 89 mm | |
| d _{a min} | 96 mm | |
| r _{a max} | 1 mm | |
| r _{min} | 1 mm | |
| m | 0,819 kg | Mass |
| C _a | 67000 N | Basic dynamic load rating, axial |
| C _{0a} | 170000 N | Basic static load rating, axial |
| M | 0,18 | Minimum load constant |
| n _G | 2800 1/min | Limiting speed |
| C _{ua} | 7500 N | Fatigue limit load, axial |

51216

Figure 1, Figure 2

| | | |
|--------------------|------------|----------------------------------|
| d | 80 mm | |
| D | 115 mm | |
| T | 28 mm | |
| D ₁ | 82 mm | |
| d ₁ | 115 mm | |
| D _{a max} | 94 mm | |
| d _{a min} | 101 mm | |
| r _{a max} | 1 mm | |
| r _{min} | 1 mm | |
| m | 0,908 kg | Mass |
| C _a | 75000 N | Basic dynamic load rating, axial |
| C _{0a} | 190000 N | Basic static load rating, axial |
| M | 0,22 | Minimum load constant |
| n _G | 2600 1/min | Limiting speed |
| C _{ua} | 8500 N | Fatigue limit load, axial |

51217

Figure 1, Figure 2

| | | |
|--------------------|------------|----------------------------------|
| d | 85 mm | |
| D | 125 mm | |
| T | 31 mm | |
| D ₁ | 88 mm | |
| d ₁ | 125 mm | |
| D _{a max} | 101 mm | |
| d _{a min} | 109 mm | |
| r _{a max} | 1 mm | |
| r _{min} | 1 mm | |
| m | 1,21 kg | Mass |
| C _a | 98000 N | Basic dynamic load rating, axial |
| C _{0a} | 250000 N | Basic static load rating, axial |
| M | 0,38 | Minimum load constant |
| n _G | 2200 1/min | Limiting speed |
| C _{ua} | 10900 N | Fatigue limit load, axial |

51218

Figure 1 , Figure 2

| | | |
|--------------------|------------|----------------------------------|
| d | 90 mm | |
| D | 135 mm | |
| T | 35 mm | |
| D ₁ | 93 mm | |
| d ₁ | 135 mm | |
| D _{a max} | 108 mm | |
| d _{a min} | 117 mm | |
| r _{a max} | 1 mm | |
| r _{min} | 1,1 mm | |
| m | 1,66 kg | Mass |
| C _a | 118000 N | Basic dynamic load rating, axial |
| C _{0a} | 300000 N | Basic static load rating, axial |
| M | 0,53 | Minimum load constant |
| n _G | 2000 1/min | Limiting speed |
| C _{ua} | 12300 N | Fatigue limit load, axial |

51220

Figure 1 , Figure 2

| | | |
|--------------------|------------|----------------------------------|
| d | 100 mm | |
| D | 150 mm | |
| T | 38 mm | |
| D ₁ | 103 mm | |
| d ₁ | 150 mm | |
| D _{a max} | 120 mm | |
| d _{a min} | 130 mm | |
| r _{a max} | 1 mm | |
| r _{min} | 1,1 mm | |
| m | 2,21 kg | Mass |
| C _a | 127000 N | Basic dynamic load rating, axial |
| C _{0a} | 325000 N | Basic static load rating, axial |
| M | 0,67 | Minimum load constant |
| n _G | 1900 1/min | Limiting speed |
| C _{ua} | 14800 N | Fatigue limit load, axial |

51222

Figure 1, Figure 2

| | | |
|--------------------|------------|----------------------------------|
| d | 110 mm | |
| D | 160 mm | |
| T | 38 mm | |
| D ₁ | 113 mm | |
| d ₁ | 160 mm | |
| D _{a max} | 130 mm | |
| d _{a min} | 140 mm | |
| r _{a max} | 1 mm | |
| r _{min} | 1,1 mm | |
| m | 2,28 kg | Mass |
| C _a | 134000 N | Basic dynamic load rating, axial |
| C _{0a} | 365000 N | Basic static load rating, axial |
| M | 0,85 | Minimum load constant |
| n _G | 1800 1/min | Limiting speed |
| C _{ua} | 16000 N | Fatigue limit load, axial |

51224

Figure 1, Figure 2

| | | |
|--------------------|------------|----------------------------------|
| d | 120 mm | |
| D | 170 mm | |
| T | 39 mm | |
| D ₁ | 123 mm | |
| d ₁ | 170 mm | |
| D _{a max} | 140 mm | |
| d _{a min} | 150 mm | |
| r _{a max} | 1 mm | |
| r _{min} | 1,1 mm | |
| m | 2,66 kg | Mass |
| C _a | 134000 N | Basic dynamic load rating, axial |
| C _{0a} | 390000 N | Basic static load rating, axial |
| M | 0,95 | Minimum load constant |
| n _G | 1700 1/min | Limiting speed |
| C _{ua} | 14200 N | Fatigue limit load, axial |

51226

Figure 1 , Figure 2

| | | |
|--------------------|------------|----------------------------------|
| d | 130 mm | |
| D | 190 mm | |
| T | 45 mm | |
| D ₁ | 133 mm | |
| d ₁ | 187 mm | |
| D _{a max} | 154 mm | |
| d _{a min} | 166 mm | |
| r _{a max} | 1,5 mm | |
| r _{min} | 1,5 mm | |
| m | 3,96 kg | Mass |
| C _a | 183000 N | Basic dynamic load rating, axial |
| C _{0a} | 540000 N | Basic static load rating, axial |
| M | 1,7 | Minimum load constant |
| n _G | 1600 1/min | Limiting speed |
| C _{ua} | 18900 N | Fatigue limit load, axial |

51228

Figure 1, Figure 2

| | | |
|--------------------|------------|----------------------------------|
| d | 140 mm | |
| D | 200 mm | |
| T | 46 mm | |
| D ₁ | 143 mm | |
| d ₁ | 197 mm | |
| D _{a max} | 164 mm | |
| d _{a min} | 176 mm | |
| r _{a max} | 1,5 mm | |
| r _{min} | 1,5 mm | |
| m | 4,3 kg | Mass |
| C _a | 190000 N | Basic dynamic load rating, axial |
| C _{0a} | 570000 N | Basic static load rating, axial |
| M | 1,9 | Minimum load constant |
| n _G | 1500 1/min | Limiting speed |
| C _{ua} | 19200 N | Fatigue limit load, axial |

51230-MP

Figure 1 , Figure 2

| | | |
|--------------------|------------|----------------------------------|
| d | 150 mm | |
| D | 215 mm | |
| T | 50 mm | |
| D ₁ | 153 mm | |
| d ₁ | 212 mm | |
| D _{a max} | 176 mm | |
| d _{a min} | 189 mm | |
| r _{a max} | 1,5 mm | |
| r _{min} | 1,5 mm | |
| m | 6,08 kg | Mass |
| C _a | 236000 N | Basic dynamic load rating, axial |
| C _{0a} | 735000 N | Basic static load rating, axial |
| M | 2,8 | Minimum load constant |
| n _G | 1400 1/min | Limiting speed |
| C _{ua} | 24200 N | Fatigue limit load, axial |

51232-MP

Figure 1 , Figure 2

| | | |
|--------------------|------------|----------------------------------|
| d | 160 mm | |
| D | 225 mm | |
| T | 51 mm | |
| D ₁ | 163 mm | |
| d ₁ | 222 mm | |
| D _{a max} | 186 mm | |
| d _{a min} | 199 mm | |
| r _{a max} | 1,5 mm | |
| r _{min} | 1,5 mm | |
| m | 6,53 kg | Mass |
| C _a | 240000 N | Basic dynamic load rating, axial |
| C _{0a} | 765000 N | Basic static load rating, axial |
| M | 3,2 | Minimum load constant |
| n _G | 1400 1/min | Limiting speed |
| C _{ua} | 24700 N | Fatigue limit load, axial |

51234-MP

Figure 1 , Figure 2

| | | |
|--------------------|------------|----------------------------------|
| d | 170 mm | |
| D | 240 mm | |
| T | 55 mm | |
| D ₁ | 173 mm | |
| d ₁ | 237 mm | |
| D _{a max} | 198 mm | |
| d _{a min} | 212 mm | |
| r _{a max} | 1,5 mm | |
| r _{min} | 1,5 mm | |
| m | 8,12 kg | Mass |
| C _a | 285000 N | Basic dynamic load rating, axial |
| C _{0a} | 930000 N | Basic static load rating, axial |
| M | 4,5 | Minimum load constant |
| n _G | 1200 1/min | Limiting speed |
| C _{ua} | 28500 N | Fatigue limit load, axial |

51236-MP

Figure 1 , Figure 2

| | | |
|--------------------|------------|----------------------------------|
| d | 180 mm | |
| D | 250 mm | |
| T | 56 mm | |
| D ₁ | 183 mm | |
| d ₁ | 245 mm | |
| D _{a max} | 208 mm | |
| d _{a min} | 222 mm | |
| r _{a max} | 1,5 mm | |
| r _{min} | 1,5 mm | |
| m | 8,56 kg | Mass |
| C _a | 305000 N | Basic dynamic load rating, axial |
| C _{0a} | 1040000 N | Basic static load rating, axial |
| M | 5,3 | Minimum load constant |
| n _G | 1200 1/min | Limiting speed |
| C _{ua} | 31500 N | Fatigue limit load, axial |

51238-MP

Figure 1 , Figure 2

| | | |
|--------------------|------------|----------------------------------|
| d | 190 mm | |
| D | 270 mm | |
| T | 62 mm | |
| D ₁ | 194 mm | |
| d ₁ | 265 mm | |
| D _{a max} | 222 mm | |
| d _{a min} | 238 mm | |
| r _{a max} | 2 mm | |
| r _{min} | 2 mm | |
| m | 11,6 kg | Mass |
| C _a | 335000 N | Basic dynamic load rating, axial |
| C _{0a} | 1160000 N | Basic static load rating, axial |
| M | 7 | Minimum load constant |
| n _G | 1000 1/min | Limiting speed |
| C _{ua} | 34500 N | Fatigue limit load, axial |

51240-MP

Figure 1, Figure 2

| | | |
|--------------------|------------|----------------------------------|
| d | 200 mm | |
| D | 280 mm | |
| T | 62 mm | |
| D ₁ | 204 mm | |
| d ₁ | 275 mm | |
| D _{a max} | 232 mm | |
| d _{a min} | 248 mm | |
| r _{a max} | 2 mm | |
| r _{min} | 2 mm | |
| m | 12 kg | Mass |
| C _a | 340000 N | Basic dynamic load rating, axial |
| C _{0a} | 1220000 N | Basic static load rating, axial |
| M | 8 | Minimum load constant |
| n _G | 1000 1/min | Limiting speed |
| C _{ua} | 35000 N | Fatigue limit load, axial |

51244-MP

Figure 1 , Figure 2

| | | |
|--------------------|-----------|----------------------------------|
| d | 220 mm | |
| D | 300 mm | |
| T | 63 mm | |
| D ₁ | 224 mm | |
| d ₁ | 295 mm | |
| D _{a max} | 252 mm | |
| d _{a min} | 268 mm | |
| r _{a max} | 2 mm | |
| r _{min} | 2 mm | |
| m | 13,1 kg | Mass |
| C _a | 355000 N | Basic dynamic load rating, axial |
| C _{0a} | 1340000 N | Basic static load rating, axial |
| M | 9,5 | Minimum load constant |
| n _G | 950 1/min | Limiting speed |
| C _{ua} | 36500 N | Fatigue limit load, axial |

51248-MP

Figure 1 , Figure 2

| | | |
|--------------------|-----------|----------------------------------|
| d | 240 mm | |
| D | 340 mm | |
| T | 78 mm | |
| D ₁ | 244 mm | |
| d ₁ | 335 mm | |
| D _{a max} | 280 mm | |
| d _{a min} | 300 mm | |
| r _{a max} | 2,1 mm | |
| r _{min} | 2,1 mm | |
| m | 22,9 kg | Mass |
| C _a | 465000 N | Basic dynamic load rating, axial |
| C _{0a} | 1860000 N | Basic static load rating, axial |
| M | 18 | Minimum load constant |
| n _G | 800 1/min | Limiting speed |
| C _{ua} | 48000 N | Fatigue limit load, axial |

51252-MP

Figure 1 , Figure 2

| | | |
|--------------------|-----------|----------------------------------|
| d | 260 mm | |
| D | 360 mm | |
| T | 79 mm | |
| D ₁ | 264 mm | |
| d ₁ | 355 mm | |
| D _{a max} | 300 mm | |
| d _{a min} | 320 mm | |
| r _{a max} | 2,1 mm | |
| r _{min} | 2,1 mm | |
| m | 24,8 kg | Mass |
| C _a | 490000 N | Basic dynamic load rating, axial |
| C _{0a} | 2040000 N | Basic static load rating, axial |
| M | 22 | Minimum load constant |
| n _G | 750 1/min | Limiting speed |
| C _{ua} | 52000 N | Fatigue limit load, axial |

51256-MP

Figure 1 , Figure 2

| | | |
|--------------------|-----------|----------------------------------|
| d | 280 mm | |
| D | 380 mm | |
| T | 80 mm | |
| D ₁ | 284 mm | |
| d ₁ | 375 mm | |
| D _{a max} | 320 mm | |
| d _{a min} | 340 mm | |
| r _{a max} | 2,1 mm | |
| r _{min} | 2,1 mm | |
| m | 23,7 kg | Mass |
| C _a | 490000 N | Basic dynamic load rating, axial |
| C _{0a} | 2160000 N | Basic static load rating, axial |
| M | 24 | Minimum load constant |
| n _G | 750 1/min | Limiting speed |
| C _{ua} | 53000 N | Fatigue limit load, axial |

51260-MP

Figure 1 , Figure 2

| | | |
|--------------------|-----------|----------------------------------|
| d | 300 mm | |
| D | 420 mm | |
| T | 95 mm | |
| D ₁ | 304 mm | |
| d ₁ | 415 mm | |
| D _{a max} | 348 mm | |
| d _{a min} | 372 mm | |
| r _{a max} | 2,5 mm | |
| r _{min} | 3 mm | |
| m | 41,8 kg | Mass |
| C _a | 585000 N | Basic dynamic load rating, axial |
| C _{0a} | 2700000 N | Basic static load rating, axial |
| M | 38 | Minimum load constant |
| n _G | 630 1/min | Limiting speed |
| C _{ua} | 62000 N | Fatigue limit load, axial |

51264-MP

Figure 1 , Figure 2

| | | |
|--------------------|-----------|----------------------------------|
| d | 320 mm | |
| D | 440 mm | |
| T | 95 mm | |
| D ₁ | 325 mm | |
| d ₁ | 435 mm | |
| D _{a max} | 368 mm | |
| d _{a min} | 392 mm | |
| r _{a max} | 2,5 mm | |
| r _{min} | 3 mm | |
| m | 44,6 kg | Mass |
| C _a | 600000 N | Basic dynamic load rating, axial |
| C _{0a} | 2800000 N | Basic static load rating, axial |
| M | 43 | Minimum load constant |
| n _G | 630 1/min | Limiting speed |
| C _{ua} | 64000 N | Fatigue limit load, axial |

51268-MP

Figure 1 , Figure 2

| | | |
|--------------------|-----------|----------------------------------|
| d | 340 mm | |
| D | 460 mm | |
| T | 96 mm | |
| D ₁ | 345 mm | |
| d ₁ | 455 mm | |
| D _{a max} | 388 mm | |
| d _{a min} | 412 mm | |
| r _{a max} | 2,5 mm | |
| r _{min} | 3 mm | |
| m | 47,6 kg | Mass |
| C _a | 620000 N | Basic dynamic load rating, axial |
| C _{0a} | 3050000 N | Basic static load rating, axial |
| M | 50 | Minimum load constant |
| n _G | 600 1/min | Limiting speed |
| C _{ua} | 67000 N | Fatigue limit load, axial |

51272-MP

Figure 1 , Figure 2

| | | |
|--------------------|-----------|----------------------------------|
| d | 360 mm | |
| D | 500 mm | |
| T | 110 mm | |
| D ₁ | 365 mm | |
| d ₁ | 495 mm | |
| D _{a max} | 416 mm | |
| d _{a min} | 444 mm | |
| r _{a max} | 3 mm | |
| r _{min} | 4 mm | |
| m | 70,4 kg | Mass |
| C _a | 720000 N | Basic dynamic load rating, axial |
| C _{0a} | 3650000 N | Basic static load rating, axial |
| M | 70 | Minimum load constant |
| n _G | 530 1/min | Limiting speed |
| C _{ua} | 79000 N | Fatigue limit load, axial |