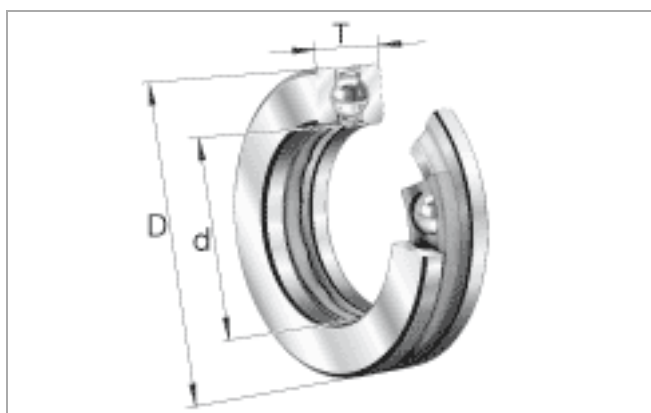




# Axial deep groove ball bearings 511

main dimensions to DIN 711/ISO 104, single direction,  
separable

The datasheet is only an overview of dimensions and basic load ratings for the selected series. Please ensure that you note all the guidance in these overview pages. Further information is given on many products under the menu item "Description". You can also request comprehensive information material via Catalogue selection (<http://www.fag.de/content.fag.de/en/services/mediathek/library/library.jsp>), by e-mail ([sales\\_promotion@fag.de](mailto:sales_promotion@fag.de)) or by telephone +49 (91 32) 82 - 28 97.



	d mm	D mm	T mm
51100	10	24	9
51101	12	26	9
51102	15	28	9
51103	17	30	9
51104	20	35	10
51105	25	42	11
51106	30	47	11
51107	35	52	12
51108	40	60	13
51109	45	65	14
51110	50	70	14
51111	55	78	16
51112	60	85	17
51113	65	90	18
	d mm	D mm	T mm

	d mm	D mm	T mm
51114	70	95	18
51115	75	100	19
51116	80	105	19
51117	85	110	19
51118	90	120	22
51120	100	135	25
51122	110	145	25
51124	120	155	25
51126	130	170	30
51128	140	180	31
51130-MP	150	190	31
51132-MP	160	200	31
51134-MP	170	215	34
51136-MP	180	225	34
51138-MP	190	240	37
51140-MP	200	250	37
51144-MP	220	270	37
51148-MP	240	300	45
51152-MP	260	320	45
51156-MP	280	350	53
51160-MP	300	380	62
51164-MP	320	400	63
51168-MP	340	420	64
51172-MP	360	440	65
51176-MP	380	460	65
51180-MP	400	480	65
51184-MP	420	500	65
51192-MP	460	560	80
511/500-MP	500	600	80
511/530-MP	530	640	85
511/560-MP	560	670	85
	d mm	D mm	T mm



Figure 1

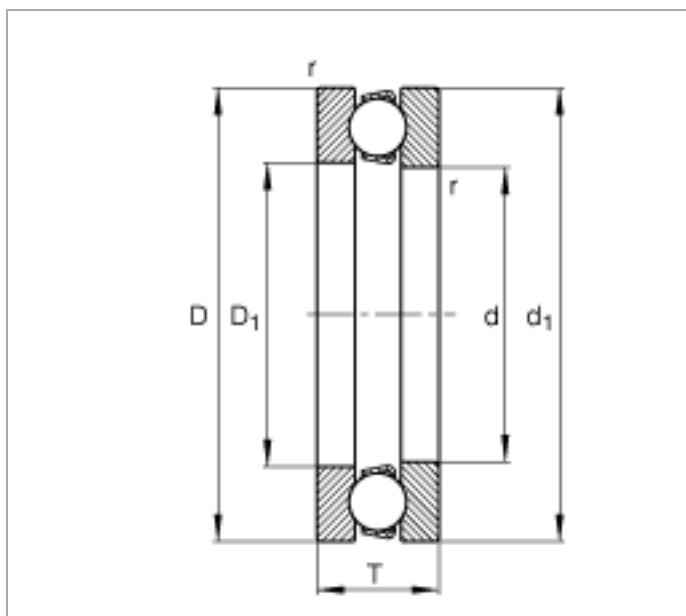
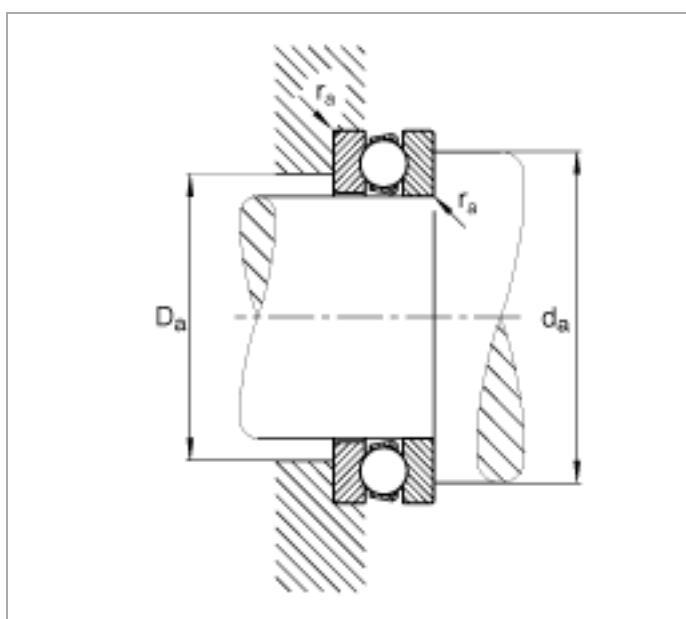


Figure 2



## 51100

Figure 1 , Figure 2

d	10 mm	
D	24 mm	
T	9 mm	
D <sub>1</sub>	11 mm	
d <sub>1</sub>	24 mm	
D <sub>a max</sub>	16 mm	
d <sub>a min</sub>	18 mm	
r <sub>a max</sub>	0,3 mm	
r <sub>min</sub>	0,3 mm	
m	0,018 kg	Mass
C <sub>a</sub>	10000 N	Basic dynamic load rating, axial
C <sub>0a</sub>	14000 N	Basic static load rating, axial
M	0,0010	Minimum load constant
n <sub>G</sub>	9500 1/min	Limiting speed
C <sub>ua</sub>	620 N	Fatigue limit load, axial

## 51101

Figure 1, Figure 2

d	12 mm	
D	26 mm	
T	9 mm	
D <sub>1</sub>	13 mm	
d <sub>1</sub>	26 mm	
D <sub>a max</sub>	18 mm	
d <sub>a min</sub>	20 mm	
r <sub>a max</sub>	0,3 mm	
r <sub>min</sub>	0,3 mm	
m	0,021 kg	Mass
C <sub>a</sub>	10400 N	Basic dynamic load rating, axial
C <sub>0a</sub>	15300 N	Basic static load rating, axial
M	0,0010	Minimum load constant
n <sub>G</sub>	9000 1/min	Limiting speed
C <sub>ua</sub>	690 N	Fatigue limit load, axial

## 51102

Figure 1, Figure 2

d	15 mm	
D	28 mm	
T	9 mm	
D <sub>1</sub>	16 mm	
d <sub>1</sub>	28 mm	
D <sub>a max</sub>	20 mm	
d <sub>a min</sub>	23 mm	
r <sub>a max</sub>	0,3 mm	
r <sub>min</sub>	0,3 mm	
m	0,024 kg	Mass
C <sub>a</sub>	10600 N	Basic dynamic load rating, axial
C <sub>0a</sub>	16600 N	Basic static load rating, axial
M	0,0020	Minimum load constant
n <sub>G</sub>	8500 1/min	Limiting speed
C <sub>ua</sub>	750 N	Fatigue limit load, axial

## 51103

Figure 1, Figure 2

d	17 mm	
D	30 mm	
T	9 mm	
D <sub>1</sub>	18 mm	
d <sub>1</sub>	30 mm	
D <sub>a max</sub>	22 mm	
d <sub>a min</sub>	25 mm	
r <sub>a max</sub>	0,3 mm	
r <sub>min</sub>	0,3 mm	
m	0,024 kg	Mass
C <sub>a</sub>	11400 N	Basic dynamic load rating, axial
C <sub>0a</sub>	19600 N	Basic static load rating, axial
M	0,0020	Minimum load constant
n <sub>G</sub>	8500 1/min	Limiting speed
C <sub>ua</sub>	870 N	Fatigue limit load, axial



## 51104

Figure 1, Figure 2

d	20 mm	
D	35 mm	
T	10 mm	
D <sub>1</sub>	21 mm	
d <sub>1</sub>	35 mm	
D <sub>a max</sub>	26 mm	
d <sub>a min</sub>	29 mm	
r <sub>a max</sub>	0,3 mm	
r <sub>min</sub>	0,3 mm	
m	0,037 kg	Mass
C <sub>a</sub>	15000 N	Basic dynamic load rating, axial
C <sub>0a</sub>	26500 N	Basic static load rating, axial
M	0,0040	Minimum load constant
n <sub>G</sub>	7000 1/min	Limiting speed
C <sub>ua</sub>	1180 N	Fatigue limit load, axial

## 51105

Figure 1, Figure 2

d	25 mm	
D	42 mm	
T	11 mm	
D <sub>1</sub>	26 mm	
d <sub>1</sub>	42 mm	
D <sub>a max</sub>	32 mm	
d <sub>a min</sub>	35 mm	
r <sub>a max</sub>	0,6 mm	
r <sub>min</sub>	0,6 mm	
m	0,055 kg	Mass
C <sub>a</sub>	18000 N	Basic dynamic load rating, axial
C <sub>0a</sub>	35500 N	Basic static load rating, axial
M	0,0060	Minimum load constant
n <sub>G</sub>	6300 1/min	Limiting speed
C <sub>ua</sub>	1570 N	Fatigue limit load, axial

## 51106

Figure 1, Figure 2

d	30 mm	
D	47 mm	
T	11 mm	
D <sub>1</sub>	32 mm	
d <sub>1</sub>	47 mm	
D <sub>a max</sub>	37 mm	
d <sub>a min</sub>	40 mm	
r <sub>a max</sub>	0,6 mm	
r <sub>min</sub>	0,6 mm	
m	0,063 kg	Mass
C <sub>a</sub>	19000 N	Basic dynamic load rating, axial
C <sub>0a</sub>	40000 N	Basic static load rating, axial
M	0,0090	Minimum load constant
n <sub>G</sub>	5600 1/min	Limiting speed
C <sub>ua</sub>	1770 N	Fatigue limit load, axial

## 51107

Figure 1, Figure 2

d	35 mm	
D	52 mm	
T	12 mm	
D <sub>1</sub>	37 mm	
d <sub>1</sub>	52 mm	
D <sub>a max</sub>	42 mm	
d <sub>a min</sub>	45 mm	
r <sub>a max</sub>	0,6 mm	
r <sub>min</sub>	0,6 mm	
m	0,08 kg	Mass
C <sub>a</sub>	20000 N	Basic dynamic load rating, axial
C <sub>0a</sub>	46500 N	Basic static load rating, axial
M	0,011	Minimum load constant
n <sub>G</sub>	5300 1/min	Limiting speed
C <sub>ua</sub>	2060 N	Fatigue limit load, axial

## 51108

Figure 1, Figure 2

d	40 mm	
D	60 mm	
T	13 mm	
D <sub>1</sub>	42 mm	
d <sub>1</sub>	60 mm	
D <sub>a max</sub>	48 mm	
d <sub>a min</sub>	52 mm	
r <sub>a max</sub>	0,6 mm	
r <sub>min</sub>	0,6 mm	
m	0,114 kg	Mass
C <sub>a</sub>	27000 N	Basic dynamic load rating, axial
C <sub>0a</sub>	63000 N	Basic static load rating, axial
M	0,02	Minimum load constant
n <sub>G</sub>	4500 1/min	Limiting speed
C <sub>ua</sub>	2750 N	Fatigue limit load, axial

## 51109

Figure 1, Figure 2

d	45 mm	
D	65 mm	
T	14 mm	
D <sub>1</sub>	47 mm	
d <sub>1</sub>	65 mm	
D <sub>a max</sub>	53 mm	
d <sub>a min</sub>	57 mm	
r <sub>a max</sub>	0,6 mm	
r <sub>min</sub>	0,6 mm	
m	0,087 kg	Mass
C <sub>a</sub>	28000 N	Basic dynamic load rating, axial
C <sub>0a</sub>	69500 N	Basic static load rating, axial
M	0,024	Minimum load constant
n <sub>G</sub>	4500 1/min	Limiting speed
C <sub>ua</sub>	3050 N	Fatigue limit load, axial

## 51110

Figure 1, Figure 2

d	50 mm	
D	70 mm	
T	14 mm	
D <sub>1</sub>	52 mm	
d <sub>1</sub>	70 mm	
D <sub>a max</sub>	58 mm	
d <sub>a min</sub>	62 mm	
r <sub>a max</sub>	0,6 mm	
r <sub>min</sub>	0,6 mm	
m	0,151 kg	Mass
C <sub>a</sub>	29000 N	Basic dynamic load rating, axial
C <sub>0a</sub>	75000 N	Basic static load rating, axial
M	0,03	Minimum load constant
n <sub>G</sub>	4300 1/min	Limiting speed
C <sub>ua</sub>	3300 N	Fatigue limit load, axial

## 51111

Figure 1, Figure 2

d	55 mm	
D	78 mm	
T	16 mm	
D <sub>1</sub>	57 mm	
d <sub>1</sub>	78 mm	
D <sub>a max</sub>	64 mm	
d <sub>a min</sub>	69 mm	
r <sub>a max</sub>	0,6 mm	
r <sub>min</sub>	0,6 mm	
m	0,208 kg	Mass
C <sub>a</sub>	30500 N	Basic dynamic load rating, axial
C <sub>0a</sub>	75000 N	Basic static load rating, axial
M	0,036	Minimum load constant
n <sub>G</sub>	3800 1/min	Limiting speed
C <sub>ua</sub>	3300 N	Fatigue limit load, axial



## 51112

Figure 1, Figure 2

d	60 mm	
D	85 mm	
T	17 mm	
D <sub>1</sub>	62 mm	
d <sub>1</sub>	85 mm	
D <sub>a max</sub>	70 mm	
d <sub>a min</sub>	75 mm	
r <sub>a max</sub>	1 mm	
r <sub>min</sub>	1 mm	
m	0,278 kg	Mass
C <sub>a</sub>	41500 N	Basic dynamic load rating, axial
C <sub>0a</sub>	112000 N	Basic static load rating, axial
M	0,063	Minimum load constant
n <sub>G</sub>	3600 1/min	Limiting speed
C <sub>ua</sub>	5000 N	Fatigue limit load, axial

## 51113

Figure 1, Figure 2

d	65 mm	
D	90 mm	
T	18 mm	
D <sub>1</sub>	67 mm	
d <sub>1</sub>	90 mm	
D <sub>a max</sub>	75 mm	
d <sub>a min</sub>	80 mm	
r <sub>a max</sub>	1 mm	
r <sub>min</sub>	1 mm	
m	0,3 kg	Mass
C <sub>a</sub>	38000 N	Basic dynamic load rating, axial
C <sub>0a</sub>	100000 N	Basic static load rating, axial
M	0,063	Minimum load constant
n <sub>G</sub>	3400 1/min	Limiting speed
C <sub>ua</sub>	4400 N	Fatigue limit load, axial

## 51114

Figure 1, Figure 2

d	70 mm	
D	95 mm	
T	18 mm	
D <sub>1</sub>	72 mm	
d <sub>1</sub>	95 mm	
D <sub>a max</sub>	80 mm	
d <sub>a min</sub>	85 mm	
r <sub>a max</sub>	1 mm	
r <sub>min</sub>	1 mm	
m	0,352 kg	Mass
C <sub>a</sub>	40000 N	Basic dynamic load rating, axial
C <sub>0a</sub>	110000 N	Basic static load rating, axial
M	0,075	Minimum load constant
n <sub>G</sub>	3400 1/min	Limiting speed
C <sub>ua</sub>	4850 N	Fatigue limit load, axial

## 51115

Figure 1 , Figure 2

d	75 mm	
D	100 mm	
T	19 mm	
D <sub>1</sub>	77 mm	
d <sub>1</sub>	100 mm	
D <sub>a max</sub>	85 mm	
d <sub>a min</sub>	90 mm	
r <sub>a max</sub>	1 mm	
r <sub>min</sub>	1 mm	
m	0,365 kg	Mass
C <sub>a</sub>	44000 N	Basic dynamic load rating, axial
C <sub>0a</sub>	122000 N	Basic static load rating, axial
M	0,095	Minimum load constant
n <sub>G</sub>	3200 1/min	Limiting speed
C <sub>ua</sub>	5500 N	Fatigue limit load, axial

## 51116

Figure 1, Figure 2

d	80 mm	
D	105 mm	
T	19 mm	
D <sub>1</sub>	82 mm	
d <sub>1</sub>	105 mm	
D <sub>a max</sub>	90 mm	
d <sub>a min</sub>	95 mm	
r <sub>a max</sub>	1 mm	
r <sub>min</sub>	1 mm	
m	0,384 kg	Mass
C <sub>a</sub>	45000 N	Basic dynamic load rating, axial
C <sub>0a</sub>	129000 N	Basic static load rating, axial
M	0,1	Minimum load constant
n <sub>G</sub>	3200 1/min	Limiting speed
C <sub>ua</sub>	5700 N	Fatigue limit load, axial

## 51117

Figure 1, Figure 2

d	85 mm	
D	110 mm	
T	19 mm	
D <sub>1</sub>	87 mm	
d <sub>1</sub>	110 mm	
D <sub>a max</sub>	95 mm	
d <sub>a min</sub>	100 mm	
r <sub>a max</sub>	1 mm	
r <sub>min</sub>	1 mm	
m	0,404 kg	Mass
C <sub>a</sub>	45500 N	Basic dynamic load rating, axial
C <sub>0a</sub>	134000 N	Basic static load rating, axial
M	0,11	Minimum load constant
n <sub>G</sub>	3000 1/min	Limiting speed
C <sub>ua</sub>	6000 N	Fatigue limit load, axial

## 51118

Figure 1, Figure 2

d	90 mm	
D	120 mm	
T	22 mm	
D <sub>1</sub>	92 mm	
d <sub>1</sub>	120 mm	
D <sub>a max</sub>	102 mm	
d <sub>a min</sub>	108 mm	
r <sub>a max</sub>	1 mm	
r <sub>min</sub>	1 mm	
m	0,617 kg	Mass
C <sub>a</sub>	45500 N	Basic dynamic load rating, axial
C <sub>0a</sub>	140000 N	Basic static load rating, axial
M	0,13	Minimum load constant
n <sub>G</sub>	3000 1/min	Limiting speed
C <sub>ua</sub>	6100 N	Fatigue limit load, axial

## 51120

Figure 1, Figure 2

d	100 mm	
D	135 mm	
T	25 mm	
D <sub>1</sub>	102 mm	
d <sub>1</sub>	135 mm	
D <sub>a max</sub>	114 mm	
d <sub>a min</sub>	121 mm	
r <sub>a max</sub>	1 mm	
r <sub>min</sub>	1 mm	
m	1,26 kg	Mass
C <sub>a</sub>	85000 N	Basic dynamic load rating, axial
C <sub>0a</sub>	270000 N	Basic static load rating, axial
M	0,36	Minimum load constant
n <sub>G</sub>	2200 1/min	Limiting speed
C <sub>ua</sub>	13000 N	Fatigue limit load, axial



## 51122

Figure 1, Figure 2

d	110 mm	
D	145 mm	
T	25 mm	
D <sub>1</sub>	112 mm	
d <sub>1</sub>	145 mm	
D <sub>a max</sub>	124 mm	
d <sub>a min</sub>	131 mm	
r <sub>a max</sub>	1 mm	
r <sub>min</sub>	1 mm	
m	1,45 kg	Mass
C <sub>a</sub>	86500 N	Basic dynamic load rating, axial
C <sub>0a</sub>	290000 N	Basic static load rating, axial
M	0,43	Minimum load constant
n <sub>G</sub>	2200 1/min	Limiting speed
C <sub>ua</sub>	13400 N	Fatigue limit load, axial

## 51124

Figure 1, Figure 2

d	120 mm	
D	155 mm	
T	25 mm	
D <sub>1</sub>	122 mm	
d <sub>1</sub>	155 mm	
D <sub>a max</sub>	134 mm	
d <sub>a min</sub>	141 mm	
r <sub>a max</sub>	1 mm	
r <sub>min</sub>	1 mm	
m	1,54 kg	Mass
C <sub>a</sub>	90000 N	Basic dynamic load rating, axial
C <sub>0a</sub>	310000 N	Basic static load rating, axial
M	0,48	Minimum load constant
n <sub>G</sub>	2000 1/min	Limiting speed
C <sub>ua</sub>	13900 N	Fatigue limit load, axial

## 51126

Figure 1 , Figure 2

d	130 mm	
D	170 mm	
T	30 mm	
D <sub>1</sub>	132 mm	
d <sub>1</sub>	170 mm	
D <sub>a max</sub>	146 mm	
d <sub>a min</sub>	154 mm	
r <sub>a max</sub>	1 mm	
r <sub>min</sub>	1 mm	
m	2,28 kg	Mass
C <sub>a</sub>	112000 N	Basic dynamic load rating, axial
C <sub>0a</sub>	390000 N	Basic static load rating, axial
M	0,75	Minimum load constant
n <sub>G</sub>	1800 1/min	Limiting speed
C <sub>ua</sub>	17200 N	Fatigue limit load, axial

## 51128

Figure 1, Figure 2

d	140 mm	
D	180 mm	
T	31 mm	
D <sub>1</sub>	142 mm	
d <sub>1</sub>	178 mm	
D <sub>a max</sub>	156 mm	
d <sub>a min</sub>	164 mm	
r <sub>a max</sub>	1 mm	
r <sub>min</sub>	1 mm	
m	2,51 kg	Mass
C <sub>a</sub>	112000 N	Basic dynamic load rating, axial
C <sub>0a</sub>	400000 N	Basic static load rating, axial
M	0,85	Minimum load constant
n <sub>G</sub>	1800 1/min	Limiting speed
C <sub>ua</sub>	16800 N	Fatigue limit load, axial

## 51130-MP

Figure 1 , Figure 2

d	150 mm	
D	190 mm	
T	31 mm	
D <sub>1</sub>	152 mm	
d <sub>1</sub>	188 mm	
D <sub>a max</sub>	166 mm	
d <sub>a min</sub>	174 mm	
r <sub>a max</sub>	1 mm	
r <sub>min</sub>	1 mm	
m	2,18 kg	Mass
C <sub>a</sub>	110000 N	Basic dynamic load rating, axial
C <sub>0a</sub>	400000 N	Basic static load rating, axial
M	0,9	Minimum load constant
n <sub>G</sub>	1700 1/min	Limiting speed
C <sub>ua</sub>	16700 N	Fatigue limit load, axial

## 51132-MP

Figure 1, Figure 2

d	160 mm	
D	200 mm	
T	31 mm	
D <sub>1</sub>	162 mm	
d <sub>1</sub>	198 mm	
D <sub>a max</sub>	176 mm	
d <sub>a min</sub>	184 mm	
r <sub>a max</sub>	1 mm	
r <sub>min</sub>	1 mm	
m	2,29 kg	Mass
C <sub>a</sub>	112000 N	Basic dynamic load rating, axial
C <sub>0a</sub>	430000 N	Basic static load rating, axial
M	1	Minimum load constant
n <sub>G</sub>	1700 1/min	Limiting speed
C <sub>ua</sub>	17200 N	Fatigue limit load, axial

## 51134-MP

Figure 1 , Figure 2

d	170 mm	
D	215 mm	
T	34 mm	
D <sub>1</sub>	172 mm	
d <sub>1</sub>	213 mm	
D <sub>a max</sub>	188 mm	
d <sub>a min</sub>	197 mm	
r <sub>a max</sub>	1 mm	
r <sub>min</sub>	1,1 mm	
m	3,08 kg	Mass
C <sub>a</sub>	132000 N	Basic dynamic load rating, axial
C <sub>0a</sub>	500000 N	Basic static load rating, axial
M	1,4	Minimum load constant
n <sub>G</sub>	1600 1/min	Limiting speed
C <sub>ua</sub>	19400 N	Fatigue limit load, axial

## 51136-MP

Figure 1 , Figure 2

d	180 mm	
D	225 mm	
T	34 mm	
D <sub>1</sub>	183 mm	
d <sub>1</sub>	222 mm	
D <sub>a max</sub>	198 mm	
d <sub>a min</sub>	207 mm	
r <sub>a max</sub>	1 mm	
r <sub>min</sub>	1,1 mm	
m	3,06 kg	Mass
C <sub>a</sub>	134000 N	Basic dynamic load rating, axial
C <sub>0a</sub>	530000 N	Basic static load rating, axial
M	1,5	Minimum load constant
n <sub>G</sub>	1500 1/min	Limiting speed
C <sub>ua</sub>	20100 N	Fatigue limit load, axial



## 51138-MP

Figure 1 , Figure 2

d	190 mm	
D	240 mm	
T	37 mm	
D <sub>1</sub>	193 mm	
d <sub>1</sub>	237 mm	
D <sub>a max</sub>	210 mm	
d <sub>a min</sub>	220 mm	
r <sub>a max</sub>	1 mm	
r <sub>min</sub>	1,1 mm	
m	3,94 kg	Mass
C <sub>a</sub>	170000 N	Basic dynamic load rating, axial
C <sub>0a</sub>	655000 N	Basic static load rating, axial
M	2,4	Minimum load constant
n <sub>G</sub>	1400 1/min	Limiting speed
C <sub>ua</sub>	23200 N	Fatigue limit load, axial

## 51140-MP

Figure 1 , Figure 2

d	200 mm	
D	250 mm	
T	37 mm	
D <sub>1</sub>	203 mm	
d <sub>1</sub>	247 mm	
D <sub>a max</sub>	220 mm	
d <sub>a min</sub>	230 mm	
r <sub>a max</sub>	1 mm	
r <sub>min</sub>	1,1 mm	
m	4,12 kg	Mass
C <sub>a</sub>	170000 N	Basic dynamic load rating, axial
C <sub>0a</sub>	655000 N	Basic static load rating, axial
M	2,4	Minimum load constant
n <sub>G</sub>	1400 1/min	Limiting speed
C <sub>ua</sub>	22700 N	Fatigue limit load, axial

## 51144-MP

Figure 1 , Figure 2

d	220 mm	
D	270 mm	
T	37 mm	
D <sub>1</sub>	223 mm	
d <sub>1</sub>	267 mm	
D <sub>a max</sub>	240 mm	
d <sub>a min</sub>	250 mm	
r <sub>a max</sub>	1 mm	
r <sub>min</sub>	1,1 mm	
m	4,54 kg	Mass
C <sub>a</sub>	176000 N	Basic dynamic load rating, axial
C <sub>0a</sub>	735000 N	Basic static load rating, axial
M	3	Minimum load constant
n <sub>G</sub>	1200 1/min	Limiting speed
C <sub>ua</sub>	24500 N	Fatigue limit load, axial

## 51148-MP

Figure 1 , Figure 2

d	240 mm	
D	300 mm	
T	45 mm	
D <sub>1</sub>	243 mm	
d <sub>1</sub>	297 mm	
D <sub>a max</sub>	264 mm	
d <sub>a min</sub>	276 mm	
r <sub>a max</sub>	1,5 mm	
r <sub>min</sub>	1,5 mm	
m	7,41 kg	Mass
C <sub>a</sub>	232000 N	Basic dynamic load rating, axial
C <sub>0a</sub>	965000 N	Basic static load rating, axial
M	5	Minimum load constant
n <sub>G</sub>	1000 1/min	Limiting speed
C <sub>ua</sub>	31000 N	Fatigue limit load, axial

## 51152-MP

Figure 1 , Figure 2

d	260 mm	
D	320 mm	
T	45 mm	
D <sub>1</sub>	263 mm	
d <sub>1</sub>	317 mm	
D <sub>a max</sub>	284 mm	
d <sub>a min</sub>	296 mm	
r <sub>a max</sub>	1,5 mm	
r <sub>min</sub>	1,5 mm	
m	7,89 kg	Mass
C <sub>a</sub>	236000 N	Basic dynamic load rating, axial
C <sub>0a</sub>	1020000 N	Basic static load rating, axial
M	5,6	Minimum load constant
n <sub>G</sub>	1000 1/min	Limiting speed
C <sub>ua</sub>	31500 N	Fatigue limit load, axial

## 51156-MP

Figure 1 , Figure 2

d	280 mm	
D	350 mm	
T	53 mm	
D <sub>1</sub>	283 mm	
d <sub>1</sub>	347 mm	
D <sub>a max</sub>	308 mm	
d <sub>a min</sub>	322 mm	
r <sub>a max</sub>	1,5 mm	
r <sub>min</sub>	1,5 mm	
m	12 kg	Mass
C <sub>a</sub>	315000 N	Basic dynamic load rating, axial
C <sub>0a</sub>	1340000 N	Basic static load rating, axial
M	10	Minimum load constant
n <sub>G</sub>	900 1/min	Limiting speed
C <sub>ua</sub>	40500 N	Fatigue limit load, axial

## 51160-MP

Figure 1 , Figure 2

d	300 mm	
D	380 mm	
T	62 mm	
D <sub>1</sub>	304 mm	
d <sub>1</sub>	376 mm	
D <sub>a max</sub>	332 mm	
d <sub>a min</sub>	348 mm	
r <sub>a max</sub>	2 mm	
r <sub>min</sub>	2 mm	
m	17,1 kg	Mass
C <sub>a</sub>	365000 N	Basic dynamic load rating, axial
C <sub>0a</sub>	1600000 N	Basic static load rating, axial
M	14	Minimum load constant
n <sub>G</sub>	800 1/min	Limiting speed
C <sub>ua</sub>	46000 N	Fatigue limit load, axial

## 51164-MP

Figure 1 , Figure 2

d	320 mm	
D	400 mm	
T	63 mm	
D <sub>1</sub>	324 mm	
d <sub>1</sub>	396 mm	
D <sub>a max</sub>	352 mm	
d <sub>a min</sub>	368 mm	
r <sub>a max</sub>	2 mm	
r <sub>min</sub>	2 mm	
m	18,5 kg	Mass
C <sub>a</sub>	375000 N	Basic dynamic load rating, axial
C <sub>0a</sub>	1700000 N	Basic static load rating, axial
M	16	Minimum load constant
n <sub>G</sub>	750 1/min	Limiting speed
C <sub>ua</sub>	47500 N	Fatigue limit load, axial



## 51168-MP

Figure 1 , Figure 2

d	340 mm	
D	420 mm	
T	64 mm	
D <sub>1</sub>	344 mm	
d <sub>1</sub>	416 mm	
D <sub>a max</sub>	372 mm	
d <sub>a min</sub>	388 mm	
r <sub>a max</sub>	2 mm	
r <sub>min</sub>	2 mm	
m	19,9 kg	Mass
C <sub>a</sub>	380000 N	Basic dynamic load rating, axial
C <sub>0a</sub>	1800000 N	Basic static load rating, axial
M	18	Minimum load constant
n <sub>G</sub>	750 1/min	Limiting speed
C <sub>ua</sub>	49000 N	Fatigue limit load, axial

## 51172-MP

Figure 1, Figure 2

d	360 mm	
D	440 mm	
T	65 mm	
D <sub>1</sub>	364 mm	
d <sub>1</sub>	436 mm	
D <sub>a max</sub>	392 mm	
d <sub>a min</sub>	408 mm	
r <sub>a max</sub>	2 mm	
r <sub>min</sub>	2 mm	
m	21,5 kg	Mass
C <sub>a</sub>	405000 N	Basic dynamic load rating, axial
C <sub>0a</sub>	2000000 N	Basic static load rating, axial
M	22	Minimum load constant
n <sub>G</sub>	700 1/min	Limiting speed
C <sub>ua</sub>	45000 N	Fatigue limit load, axial

## 51176-MP

Figure 1 , Figure 2

d	380 mm	
D	460 mm	
T	65 mm	
D <sub>1</sub>	384 mm	
d <sub>1</sub>	456 mm	
D <sub>a max</sub>	412 mm	
d <sub>a min</sub>	428 mm	
r <sub>a max</sub>	2 mm	
r <sub>min</sub>	2 mm	
m	22,4 kg	Mass
C <sub>a</sub>	430000 N	Basic dynamic load rating, axial
C <sub>0a</sub>	2240000 N	Basic static load rating, axial
M	24	Minimum load constant
n <sub>G</sub>	670 1/min	Limiting speed
C <sub>ua</sub>	48500 N	Fatigue limit load, axial

## 51180-MP

Figure 1, Figure 2

d	400 mm	
D	480 mm	
T	65 mm	
D <sub>1</sub>	404 mm	
d <sub>1</sub>	476 mm	
D <sub>a max</sub>	432 mm	
d <sub>a min</sub>	448 mm	
r <sub>a max</sub>	2 mm	
r <sub>min</sub>	2 mm	
m	23,5 kg	Mass
C <sub>a</sub>	440000 N	Basic dynamic load rating, axial
C <sub>0a</sub>	2320000 N	Basic static load rating, axial
M	28	Minimum load constant
n <sub>G</sub>	670 1/min	Limiting speed
C <sub>ua</sub>	49500 N	Fatigue limit load, axial

## 51184-MP

Figure 1 , Figure 2

d	420 mm	
D	500 mm	
T	65 mm	
D <sub>1</sub>	424 mm	
d <sub>1</sub>	495 mm	
D <sub>a max</sub>	452 mm	
d <sub>a min</sub>	468 mm	
r <sub>a max</sub>	2 mm	
r <sub>min</sub>	2 mm	
m	24,4 kg	Mass
C <sub>a</sub>	440000 N	Basic dynamic load rating, axial
C <sub>0a</sub>	2450000 N	Basic static load rating, axial
M	30	Minimum load constant
n <sub>G</sub>	630 1/min	Limiting speed
C <sub>ua</sub>	51000 N	Fatigue limit load, axial

## 51192-MP

Figure 1 , Figure 2

d	460 mm	
D	560 mm	
T	80 mm	
D <sub>1</sub>	464 mm	
d <sub>1</sub>	555 mm	
D <sub>a max</sub>	500 mm	
d <sub>a min</sub>	520 mm	
r <sub>a max</sub>	2,1 mm	
r <sub>min</sub>	2,1 mm	
m	37,2 kg	Mass
C <sub>a</sub>	530000 N	Basic dynamic load rating, axial
C <sub>0a</sub>	3100000 N	Basic static load rating, axial
M	50	Minimum load constant
n <sub>G</sub>	560 1/min	Limiting speed
C <sub>ua</sub>	61000 N	Fatigue limit load, axial

## 511/500-MP

Figure 1, Figure 2

d	500 mm	
D	600 mm	
T	80 mm	
D <sub>1</sub>	505 mm	
d <sub>1</sub>	595 mm	
D <sub>a max</sub>	540 mm	
d <sub>a min</sub>	560 mm	
r <sub>a max</sub>	2,1 mm	
r <sub>min</sub>	2,1 mm	
m	44,9 kg	Mass
C <sub>a</sub>	550000 N	Basic dynamic load rating, axial
C <sub>0a</sub>	3350000 N	Basic static load rating, axial
M	56	Minimum load constant
n <sub>G</sub>	530 1/min	Limiting speed
C <sub>ua</sub>	63000 N	Fatigue limit load, axial

## 511/530-MP

Figure 1 , Figure 2

d	530 mm	
D	640 mm	
T	85 mm	
D <sub>1</sub>	535 mm	
d <sub>1</sub>	635 mm	
D <sub>a max</sub>	574 mm	
d <sub>a min</sub>	596 mm	
r <sub>a max</sub>	2,5 mm	
r <sub>min</sub>	3 mm	
m	55,9 kg	Mass
C <sub>a</sub>	620000 N	Basic dynamic load rating, axial
C <sub>0a</sub>	3900000 N	Basic static load rating, axial
M	80	Minimum load constant
n <sub>G</sub>	480 1/min	Limiting speed
C <sub>ua</sub>	73000 N	Fatigue limit load, axial



## 511/560-MP

Figure 1, Figure 2

d	560 mm	
D	670 mm	
T	85 mm	
D <sub>1</sub>	565 mm	
d <sub>1</sub>	665 mm	
D <sub>a max</sub>	604 mm	
d <sub>a min</sub>	626 mm	
r <sub>a max</sub>	2,5 mm	
r <sub>min</sub>	3 mm	
m	58,8 kg	Mass
C <sub>a</sub>	630000 N	Basic dynamic load rating, axial
C <sub>0a</sub>	4150000 N	Basic static load rating, axial
M	85	Minimum load constant
n <sub>G</sub>	480 1/min	Limiting speed
C <sub>ua</sub>	74000 N	Fatigue limit load, axial