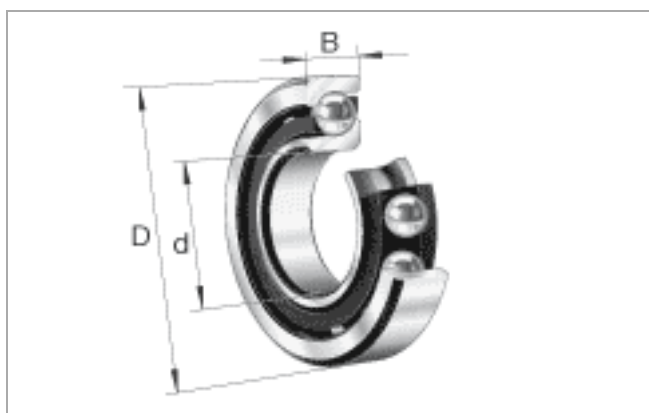




Angular contact ball bearings 73..-B

main dimensions to DIN 628-1, contact angle $\alpha = 40^\circ$

The datasheet is only an overview of dimensions and basic load ratings for the selected series. Please ensure that you note all the guidance in these overview pages. Further information is given on many products under the menu item "Description". You can also request comprehensive information material via Catalogue selection (<http://www.fag.de/content.fag.de/en/services/mediathek/library/library.jsp>), by e-mail (sales_promotion@fag.de) or by telephone +49 (91 32) 82 - 28 97.



	d mm	D mm	B mm
7301-B-JP	12	37	12
7301-B-TVP	12	37	12
7302-B-TVP	15	42	13
7302-B-JP	15	42	13
7303-B-TVP	17	47	14
7303-B-JP	17	47	14
7304-B-JP	20	52	15
7304-B-TVP	20	52	15
7305-B-TVP	25	62	17
7305-B-JP	25	62	17
7306-B-TVP	30	72	19
7306-B-JP	30	72	19
7307-B-TVP	35	80	21
7307-B-JP	35	80	21
7308-B-TVP	40	90	23
	d mm	D mm	B mm

	d mm	D mm	B mm
7308-B-JP	40	90	23
7309-B-JP	45	100	25
7309-B-TVP	45	100	25
7310-B-TVP	50	110	27
7310-B-JP	50	110	27
7311-B-TVP	55	120	29
7311-B-JP	55	120	29
7312-B-JP	60	130	31
7312-B-TVP	60	130	31
7313-B-TVP	65	140	33
7313-B-JP	65	140	33
7314-B-TVP	70	150	35
7314-B-JP	70	150	35
7315-B-TVP	75	160	37
7315-B-JP	75	160	37
7316-B-TVP	80	170	39
7316-B-JP	80	170	39
7317-B-JP	85	180	41
7317-B-TVP	85	180	41
7318-B-TVP	90	190	43
7318-B-JP	90	190	43
7319-B-TVP	95	200	45
7319-B-JP	95	200	45
7320-B-JP	100	215	47
7320-B-TVP	100	215	47
7321-B-MP	105	225	49
7322-B-TVP	110	240	50
7322-B-JP	110	240	50
7324-B-TVP	120	260	55
7326-B-TVP	130	280	58
7328-B-MP	140	300	62
7330-B-MP	150	320	65
7332-B-MP	160	340	68
	d mm	D mm	B mm

	d mm	D mm	B mm
7334-B-MP	170	360	72
	d mm	D mm	B mm

Figure 1

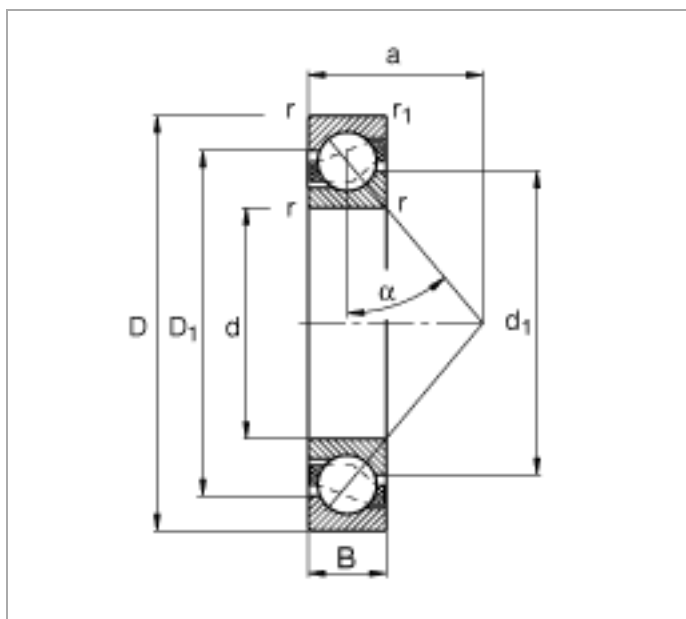
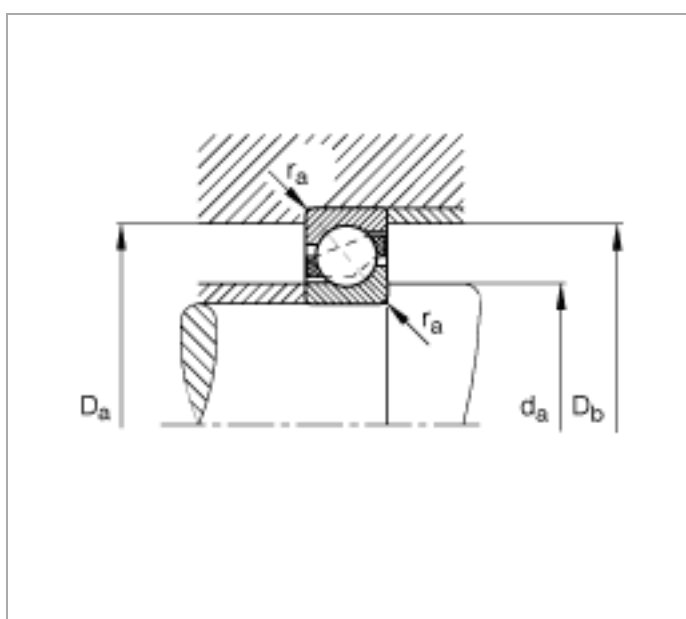


Figure 2





7301-B-JP

Figure 1 , Figure 2

d	12 mm	
D	37 mm	
B	12 mm	
a	16 mm	
D ₁	27,2 mm	
d ₁	22,3 mm	
D _{a max}	31,4 mm	
d _{a min}	17,6 mm	
D _{b max}	32,8 mm	
r _{1 min}	0,6 mm	
r _{a1 max}	0,6 mm	
r _{a max}	1 mm	
r _{min}	1 mm	
m	0,066 kg	Mass
C _r	11400 N	Basic dynamic load rating, radial
e	1,14	
X	0,35	
Y	0,57	
Y ₀	0,26	
C _{0r}	5300 N	Basic static load rating, radial
n _G	24000 1/min	Limiting speed
n _B	16300 1/min	Reference speed
C _{ur}	355 N	Fatigue limit load, radial



7301-B-TVP

Figure 1 , Figure 2

d	12 mm	
D	37 mm	
B	12 mm	
a	16 mm	
D ₁	27,2 mm	
d ₁	22,3 mm	
D _{a max}	31,4 mm	
d _{a min}	17,6 mm	
D _{b max}	32,8 mm	
r _{1 min}	0,6 mm	
r _{a1 max}	0,6 mm	
r _{a max}	1 mm	
r _{min}	1 mm	
m	0,06 kg	Mass
C _r	11400 N	Basic dynamic load rating, radial
e	1,14	
X	0,35	
Y	0,57	
Y ₀	0,26	
C _{0r}	5300 N	Basic static load rating, radial
n _G	24000 1/min	Limiting speed
n _B	16300 1/min	Reference speed
C _{ur}	355 N	Fatigue limit load, radial

7302-B-TVP



Figure 1 , Figure 2

d	15 mm	
D	42 mm	
B	13 mm	
a	18 mm	
D ₁	31,7 mm	
d ₁	26 mm	
D _{a max}	36,4 mm	
d _{a min}	20,6 mm	
D _{b max}	37,8 mm	
r _{1 min}	0,6 mm	
r _{a1 max}	0,6 mm	
r _{a max}	1 mm	
r _{min}	1 mm	
m	0,081 kg	Mass
C _r	14200 N	Basic dynamic load rating, radial
e	1,14	
X	0,35	
Y	0,57	
Y ₀	0,26	
C _{0r}	7200 N	Basic static load rating, radial
n _G	20000 1/min	Limiting speed
n _B	14200 1/min	Reference speed
C _{ur}	485 N	Fatigue limit load, radial



7302-B-JP

Figure 1 , Figure 2

d	15 mm	
D	42 mm	
B	13 mm	
a	18 mm	
D ₁	31,7 mm	
d ₁	26 mm	
D _{a max}	36,4 mm	
d _{a min}	20,6 mm	
D _{b max}	37,8 mm	
r _{1 min}	0,6 mm	
r _{a1 max}	0,6 mm	
r _{a max}	1 mm	
r _{min}	1 mm	
m	0,084 kg	Mass
C _r	14200 N	Basic dynamic load rating, radial
e	1,14	
X	0,35	
Y	0,57	
Y ₀	0,26	
C _{0r}	7200 N	Basic static load rating, radial
n _G	20000 1/min	Limiting speed
n _B	14200 1/min	Reference speed
C _{ur}	485 N	Fatigue limit load, radial

7303-B-TVP



Figure 1 , Figure 2

d	17 mm	
D	47 mm	
B	14 mm	
a	20 mm	
D ₁	35,5 mm	
d ₁	29,2 mm	
D _{a max}	41,4 mm	
d _{a min}	22,6 mm	
D _{b max}	42,8 mm	
r _{1 min}	0,6 mm	
r _{a1 max}	0,6 mm	
r _{a max}	1 mm	
r _{min}	1 mm	
m	0,11 kg	Mass
C _r	17600 N	Basic dynamic load rating, radial
e	1,14	
X	0,35	
Y	0,57	
Y ₀	0,26	
C _{0r}	9000 N	Basic static load rating, radial
n _G	18000 1/min	Limiting speed
n _B	12800 1/min	Reference speed
C _{ur}	610 N	Fatigue limit load, radial

7303-B-JP



Figure 1 , Figure 2

d	17 mm	
D	47 mm	
B	14 mm	
a	20 mm	
D ₁	35,5 mm	
d ₁	29,2 mm	
D _{a max}	41,4 mm	
d _{a min}	22,6 mm	
D _{b max}	42,8 mm	
r _{1 min}	0,6 mm	
r _{a1 max}	0,6 mm	
r _{a max}	1 mm	
r _{min}	1 mm	
m	0,117 kg	Mass
C _r	17600 N	Basic dynamic load rating, radial
e	1,14	
X	0,35	
Y	0,57	
Y ₀	0,26	
C _{0r}	9000 N	Basic static load rating, radial
n _G	18000 1/min	Limiting speed
n _B	12800 1/min	Reference speed
C _{ur}	610 N	Fatigue limit load, radial

7304-B-JP



Figure 1 , Figure 2

d	20 mm	
D	52 mm	
B	15 mm	
a	23 mm	
D ₁	39,7 mm	
d ₁	33 mm	
D _{a max}	45 mm	
d _{a min}	27 mm	
D _{b max}	47,8 mm	
r _{1 min}	0,6 mm	
r _{a1 max}	0,6 mm	
r _{a max}	1 mm	
r _{min}	1,1 mm	
m	0,149 kg	Mass
C _r	20400 N	Basic dynamic load rating, radial
e	1,14	
X	0,35	
Y	0,57	
Y ₀	0,26	
C _{0r}	11100 N	Basic static load rating, radial
n _G	17000 1/min	Limiting speed
n _B	11500 1/min	Reference speed
C _{ur}	750 N	Fatigue limit load, radial



7304-B-TVP

Figure 1 , Figure 2

d	20 mm	
D	52 mm	
B	15 mm	
a	23 mm	
D ₁	39,7 mm	
d ₁	33 mm	
D _{a max}	45 mm	
d _{a min}	27 mm	
D _{b max}	47,8 mm	
r _{1 min}	0,6 mm	
r _{a1 max}	0,6 mm	
r _{a max}	1 mm	
r _{min}	1,1 mm	
m	0,143 kg	Mass
C _r	20400 N	Basic dynamic load rating, radial
e	1,14	
X	0,35	
Y	0,57	
Y ₀	0,26	
C _{0r}	11100 N	Basic static load rating, radial
n _G	17000 1/min	Limiting speed
n _B	11500 1/min	Reference speed
C _{ur}	750 N	Fatigue limit load, radial

7305-B-TVP



Figure 1 , Figure 2

d	25 mm	
D	62 mm	
B	17 mm	
a	27 mm	
D ₁	48,1 mm	
d ₁	39,5 mm	
D _{a max}	55 mm	
d _{a min}	32 mm	
D _{b max}	57,8 mm	
r _{1 min}	0,6 mm	
r _{a1 max}	0,6 mm	
r _{a max}	1 mm	
r _{min}	1,1 mm	
m	0,223 kg	Mass
C _r	28000 N	Basic dynamic load rating, radial
e	1,14	
X	0,35	
Y	0,57	
Y ₀	0,26	
C _{0r}	15800 N	Basic static load rating, radial
n _G	14000 1/min	Limiting speed
n _B	9800 1/min	Reference speed
C _{ur}	1070 N	Fatigue limit load, radial

7305-B-JP



Figure 1 , Figure 2

d	25 mm	
D	62 mm	
B	17 mm	
a	27 mm	
D ₁	48,1 mm	
d ₁	39,5 mm	
D _{a max}	55 mm	
d _{a min}	32 mm	
D _{b max}	57,8 mm	
r _{1 min}	0,6 mm	
r _{a1 max}	0,6 mm	
r _{a max}	1 mm	
r _{min}	1,1 mm	
m	0,242 kg	Mass
C _r	28000 N	Basic dynamic load rating, radial
e	1,14	
X	0,35	
Y	0,57	
Y ₀	0,26	
C _{0r}	15800 N	Basic static load rating, radial
n _G	14000 1/min	Limiting speed
n _B	9800 1/min	Reference speed
C _{ur}	1070 N	Fatigue limit load, radial

7306-B-TVP



Figure 1 , Figure 2

d	30 mm	
D	72 mm	
B	19 mm	
a	31 mm	
D ₁	56 mm	
d ₁	46,8 mm	
D _{a max}	65 mm	
d _{a min}	37 mm	
D _{b max}	67,8 mm	
r _{1 min}	0,6 mm	
r _{a1 max}	0,6 mm	
r _{a max}	1 mm	
r _{min}	1,1 mm	
m	0,341 kg	Mass
C _r	35500 N	Basic dynamic load rating, radial
e	1,14	
X	0,35	
Y	0,57	
Y ₀	0,26	
C _{0r}	22100 N	Basic static load rating, radial
n _G	11000 1/min	Limiting speed
n _B	8600 1/min	Reference speed
C _{ur}	1490 N	Fatigue limit load, radial

7306-B-JP



Figure 1 , Figure 2

d	30 mm	
D	72 mm	
B	19 mm	
a	31 mm	
D ₁	56 mm	
d ₁	46,8 mm	
D _{a max}	65 mm	
d _{a min}	37 mm	
D _{b max}	67,8 mm	
r _{1 min}	0,6 mm	
r _{a1 max}	0,6 mm	
r _{a max}	1 mm	
r _{min}	1,1 mm	
m	0,362 kg	Mass
C _r	35500 N	Basic dynamic load rating, radial
e	1,14	
X	0,35	
Y	0,57	
Y ₀	0,26	
C _{0r}	22100 N	Basic static load rating, radial
n _G	11000 1/min	Limiting speed
n _B	8600 1/min	Reference speed
C _{ur}	1490 N	Fatigue limit load, radial



7307-B-TVP

Figure 1 , Figure 2

d	35 mm	
D	80 mm	
B	21 mm	
a	35 mm	
D ₁	63,1 mm	
d ₁	52,9 mm	
D _{a max}	71 mm	
d _{a min}	44 mm	
D _{b max}	74,4 mm	
r _{1 min}	1 mm	
r _{a1 max}	1 mm	
r _{a max}	1,5 mm	
r _{min}	1,5 mm	
m	0,447 kg	Mass
C _r	43000 N	Basic dynamic load rating, radial
e	1,14	
X	0,35	
Y	0,57	
Y ₀	0,26	
C _{0r}	27500 N	Basic static load rating, radial
n _G	9500 1/min	Limiting speed
n _B	7900 1/min	Reference speed
C _{ur}	1860 N	Fatigue limit load, radial



7307-B-JP

Figure 1 , Figure 2

d	35 mm	
D	80 mm	
B	21 mm	
a	35 mm	
D ₁	63,1 mm	
d ₁	52,9 mm	
D _{a max}	71 mm	
d _{a min}	44 mm	
D _{b max}	74,4 mm	
r _{1 min}	1 mm	
r _{a1 max}	1 mm	
r _{a max}	1,5 mm	
r _{min}	1,5 mm	
m	0,475 kg	Mass
C _r	43000 N	Basic dynamic load rating, radial
e	1,14	
X	0,35	
Y	0,57	
Y ₀	0,26	
C _{0r}	27500 N	Basic static load rating, radial
n _G	9500 1/min	Limiting speed
n _B	7900 1/min	Reference speed
C _{ur}	1860 N	Fatigue limit load, radial



7308-B-TVP

Figure 1 , Figure 2

d	40 mm	
D	90 mm	
B	23 mm	
a	39 mm	
D ₁	71,3 mm	
d ₁	59,5 mm	
D _{a max}	81 mm	
d _{a min}	49 mm	
D _{b max}	84,4 mm	
r _{1 min}	1 mm	
r _{a1 max}	1 mm	
r _{a max}	1,5 mm	
r _{min}	1,5 mm	
m	0,61 kg	Mass
C _r	53000 N	Basic dynamic load rating, radial
e	1,14	
X	0,35	
Y	0,57	
Y ₀	0,26	
C _{0r}	34500 N	Basic static load rating, radial
n _G	8500 1/min	Limiting speed
n _B	7100 1/min	Reference speed
C _{ur}	2320 N	Fatigue limit load, radial



7308-B-JP

Figure 1 , Figure 2

d	40 mm	
D	90 mm	
B	23 mm	
a	39 mm	
D ₁	71,3 mm	
d ₁	59,5 mm	
D _{a max}	81 mm	
d _{a min}	49 mm	
D _{b max}	84,4 mm	
r _{1 min}	1 mm	
r _{a1 max}	1 mm	
r _{a max}	1,5 mm	
r _{min}	1,5 mm	
m	0,646 kg	Mass
C _r	53000 N	Basic dynamic load rating, radial
e	1,14	
X	0,35	
Y	0,57	
Y ₀	0,26	
C _{0r}	34500 N	Basic static load rating, radial
n _G	8500 1/min	Limiting speed
n _B	7100 1/min	Reference speed
C _{ur}	2320 N	Fatigue limit load, radial

7309-B-JP



Figure 1 , Figure 2

d	45 mm	
D	100 mm	
B	25 mm	
a	43 mm	
D ₁	79,8 mm	
d ₁	66,7 mm	
D _{a max}	91 mm	
d _{a min}	54 mm	
D _{b max}	95 mm	
r _{1 min}	1 mm	
r _{a1 max}	1 mm	
r _{a max}	1,5 mm	
r _{min}	1,5 mm	
m	0,878 kg	Mass
C _r	65000 N	Basic dynamic load rating, radial
e	1,14	
X	0,35	
Y	0,57	
Y ₀	0,26	
C _{0r}	43000 N	Basic static load rating, radial
n _G	7500 1/min	Limiting speed
n _B	6500 1/min	Reference speed
C _{ur}	2900 N	Fatigue limit load, radial



7309-B-TVP

Figure 1 , Figure 2

d	45 mm	
D	100 mm	
B	25 mm	
a	43 mm	
D ₁	79,8 mm	
d ₁	66,7 mm	
D _{a max}	91 mm	
d _{a min}	54 mm	
D _{b max}	94,4 mm	
r _{1 min}	1 mm	
r _{a1 max}	1 mm	
r _{a max}	1,5 mm	
r _{min}	1,5 mm	
m	0,813 kg	Mass
C _r	65000 N	Basic dynamic load rating, radial
e	1,14	
X	0,35	
Y	0,57	
Y ₀	0,26	
C _{0r}	43000 N	Basic static load rating, radial
n _G	7500 1/min	Limiting speed
n _B	6500 1/min	Reference speed
C _{ur}	2900 N	Fatigue limit load, radial



7310-B-TVP

Figure 1 , Figure 2

d	50 mm	
D	110 mm	
B	27 mm	
a	47 mm	
D ₁	87,6 mm	
d ₁	73,1 mm	
D _{a max}	99 mm	
d _{a min}	61 mm	
D _{b max}	104,4 mm	
r _{1 min}	1 mm	
r _{a1 max}	1 mm	
r _{a max}	2 mm	
r _{min}	2 mm	
m	1,05 kg	Mass
C _r	75000 N	Basic dynamic load rating, radial
e	1,14	
X	0,35	
Y	0,57	
Y ₀	0,26	
C _{0r}	50000 N	Basic static load rating, radial
n _G	7000 1/min	Limiting speed
n _B	6100 1/min	Reference speed
C _{ur}	3400 N	Fatigue limit load, radial



7310-B-JP

Figure 1 , Figure 2

d	50 mm	
D	110 mm	
B	27 mm	
a	47 mm	
D ₁	87,6 mm	
d ₁	73,1 mm	
D _{a max}	99 mm	
d _{a min}	61 mm	
D _{b max}	104,4 mm	
r _{1 min}	1 mm	
r _{a1 max}	1 mm	
r _{a max}	2 mm	
r _{min}	2 mm	
m	1,13 kg	Mass
C _r	75000 N	Basic dynamic load rating, radial
e	1,14	
X	0,35	
Y	0,57	
Y ₀	0,26	
C _{0r}	50000 N	Basic static load rating, radial
n _G	7000 1/min	Limiting speed
n _B	6100 1/min	Reference speed
C _{ur}	3400 N	Fatigue limit load, radial



7311-B-TVP

Figure 1 , Figure 2

d	55 mm	
D	120 mm	
B	29 mm	
a	51 mm	
D ₁	95,3 mm	
d ₁	80,3 mm	
D _{a max}	109 mm	
d _{a min}	66 mm	
D _{b max}	114,4 mm	
r _{1 min}	1 mm	
r _{a1 max}	1 mm	
r _{a max}	2 mm	
r _{min}	2 mm	
m	1,38 kg	Mass
C _r	86000 N	Basic dynamic load rating, radial
e	1,14	
X	0,35	
Y	0,57	
Y ₀	0,26	
C _{0r}	61000 N	Basic static load rating, radial
n _G	6300 1/min	Limiting speed
n _B	5600 1/min	Reference speed
C _{ur}	4100 N	Fatigue limit load, radial



7311-B-JP

Figure 1 , Figure 2

d	55 mm	
D	120 mm	
B	29 mm	
a	51 mm	
D ₁	95,3 mm	
d ₁	80,3 mm	
D _{a max}	109 mm	
d _{a min}	66 mm	
D _{b max}	114,4 mm	
r _{1 min}	1 mm	
r _{a1 max}	1 mm	
r _{a max}	2 mm	
r _{min}	2 mm	
m	1,46 kg	Mass
C _r	86000 N	Basic dynamic load rating, radial
e	1,14	
X	0,35	
Y	0,57	
Y ₀	0,26	
C _{0r}	61000 N	Basic static load rating, radial
n _G	6300 1/min	Limiting speed
n _B	5600 1/min	Reference speed
C _{ur}	4100 N	Fatigue limit load, radial



7312-B-JP

Figure 1 , Figure 2

d	60 mm	
D	130 mm	
B	31 mm	
a	55 mm	
D ₁	103,4 mm	
d ₁	87,3 mm	
D _{a max}	118 mm	
d _{a min}	72 mm	
D _{b max}	123 mm	
r _{1 min}	1,1 mm	
r _{a1 max}	1 mm	
r _{a max}	2,1 mm	
r _{min}	2,1 mm	
m	1,74 kg	Mass
C _r	96000 N	Basic dynamic load rating, radial
e	1,14	
X	0,35	
Y	0,57	
Y ₀	0,26	
C _{0r}	69000 N	Basic static load rating, radial
n _G	5600 1/min	Limiting speed
n _B	5300 1/min	Reference speed
C _{ur}	4650 N	Fatigue limit load, radial



7312-B-TVP

Figure 1 , Figure 2

d	60 mm	
D	130 mm	
B	31 mm	
a	55 mm	
D ₁	103,4 mm	
d ₁	87,3 mm	
D _{a max}	118 mm	
d _{a min}	72 mm	
D _{b max}	123 mm	
r _{1 min}	1,1 mm	
r _{a1 max}	1 mm	
r _{a max}	2,1 mm	
r _{min}	2,1 mm	
m	1,71 kg	Mass
C _r	96000 N	Basic dynamic load rating, radial
e	1,14	
X	0,35	
Y	0,57	
Y ₀	0,26	
C _{0r}	69000 N	Basic static load rating, radial
n _G	5600 1/min	Limiting speed
n _B	5300 1/min	Reference speed
C _{ur}	4650 N	Fatigue limit load, radial



7313-B-TVP

Figure 1 , Figure 2

d	65 mm	
D	140 mm	
B	33 mm	
a	60 mm	
D ₁	111,5 mm	
d ₁	95,3 mm	
D _{a max}	128 mm	
d _{a min}	77 mm	
D _{b max}	133 mm	
r _{1 min}	1,1 mm	
r _{a1 max}	1 mm	
r _{a max}	2,1 mm	
r _{min}	2,1 mm	
m	2,12 kg	Mass
C _r	110000 N	Basic dynamic load rating, radial
e	1,14	
X	0,35	
Y	0,57	
Y ₀	0,26	
C _{0r}	82000 N	Basic static load rating, radial
n _G	5300 1/min	Limiting speed
n _B	5000 1/min	Reference speed
C _{ur}	5400 N	Fatigue limit load, radial



7313-B-JP

Figure 1 , Figure 2

d	65 mm	
D	140 mm	
B	33 mm	
a	60 mm	
D ₁	111,5 mm	
d ₁	95,3 mm	
D _{a max}	128 mm	
d _{a min}	77 mm	
D _{b max}	133 mm	
r _{1 min}	1,1 mm	
r _{a1 max}	1 mm	
r _{a max}	2,1 mm	
r _{min}	2,1 mm	
m	2,22 kg	Mass
C _r	110000 N	Basic dynamic load rating, radial
e	1,14	
X	0,35	
Y	0,57	
Y ₀	0,26	
C _{0r}	82000 N	Basic static load rating, radial
n _G	5300 1/min	Limiting speed
n _B	5000 1/min	Reference speed
C _{ur}	5400 N	Fatigue limit load, radial



7314-B-TVP

Figure 1 , Figure 2

d	70 mm	
D	150 mm	
B	35 mm	
a	64 mm	
D ₁	119,6 mm	
d ₁	102,3 mm	
D _{a max}	138 mm	
d _{a min}	82 mm	
D _{b max}	143 mm	
r _{1 min}	1,1 mm	
r _{a1 max}	1 mm	
r _{a max}	2,1 mm	
r _{min}	2,1 mm	
m	2,58 kg	Mass
C _r	126000 N	Basic dynamic load rating, radial
e	1,14	
X	0,35	
Y	0,57	
Y ₀	0,26	
C _{0r}	93000 N	Basic static load rating, radial
n _G	5000 1/min	Limiting speed
n _B	4750 1/min	Reference speed
C _{ur}	6000 N	Fatigue limit load, radial



7314-B-JP

Figure 1 , Figure 2

d	70 mm	
D	150 mm	
B	35 mm	
a	64 mm	
D ₁	119,6 mm	
d ₁	102,3 mm	
D _{a max}	138 mm	
d _{a min}	82 mm	
D _{b max}	143 mm	
r _{1 min}	1,1 mm	
r _{a1 max}	1 mm	
r _{a max}	2,1 mm	
r _{min}	2,1 mm	
m	2,76 kg	Mass
C _r	126000 N	Basic dynamic load rating, radial
e	1,14	
X	0,35	
Y	0,57	
Y ₀	0,26	
C _{0r}	93000 N	Basic static load rating, radial
n _G	5000 1/min	Limiting speed
n _B	4750 1/min	Reference speed
C _{ur}	6000 N	Fatigue limit load, radial



7315-B-TVP

Figure 1 , Figure 2

d	75 mm	
D	160 mm	
B	37 mm	
a	68 mm	
D ₁	128 mm	
d ₁	109,2 mm	
D _{a max}	148 mm	
d _{a min}	87 mm	
D _{b max}	153 mm	
r _{1 min}	1,1 mm	
r _{a1 max}	1 mm	
r _{a max}	2,1 mm	
r _{min}	2,1 mm	
m	3,1 kg	Mass
C _r	140000 N	Basic dynamic load rating, radial
e	1,14	
X	0,35	
Y	0,57	
Y ₀	0,26	
C _{0r}	107000 N	Basic static load rating, radial
n _G	4500 1/min	Limiting speed
n _B	4500 1/min	Reference speed
C _{ur}	6700 N	Fatigue limit load, radial



7315-B-JP

Figure 1 , Figure 2

d	75 mm	
D	160 mm	
B	37 mm	
a	68 mm	
D ₁	128 mm	
d ₁	109,2 mm	
D _{a max}	148 mm	
d _{a min}	87 mm	
D _{b max}	153 mm	
r _{1 min}	1,1 mm	
r _{a1 max}	1 mm	
r _{a max}	2,1 mm	
r _{min}	2,1 mm	
m	3,29 kg	Mass
C _r	140000 N	Basic dynamic load rating, radial
e	1,14	
X	0,35	
Y	0,57	
Y ₀	0,26	
C _{0r}	107000 N	Basic static load rating, radial
n _G	4500 1/min	Limiting speed
n _B	4500 1/min	Reference speed
C _{ur}	6700 N	Fatigue limit load, radial



7316-B-TVP

Figure 1 , Figure 2

d	80 mm	
D	170 mm	
B	39 mm	
a	72 mm	
D ₁	136,7 mm	
d ₁	115,7 mm	
D _{a max}	158 mm	
d _{a min}	92 mm	
D _{b max}	163 mm	
r _{1 min}	1,1 mm	
r _{a1 max}	1 mm	
r _{a max}	2,1 mm	
r _{min}	2,1 mm	
m	3,66 kg	Mass
C _r	155000 N	Basic dynamic load rating, radial
e	1,14	
X	0,35	
Y	0,57	
Y ₀	0,26	
C _{0r}	124000 N	Basic static load rating, radial
n _G	4300 1/min	Limiting speed
n _B	4250 1/min	Reference speed
C _{ur}	7500 N	Fatigue limit load, radial



7316-B-JP

Figure 1 , Figure 2

d	80 mm	
D	170 mm	
B	39 mm	
a	72 mm	
D ₁	136,7 mm	
d ₁	115,7 mm	
D _{a max}	158 mm	
d _{a min}	92 mm	
D _{b max}	163 mm	
r _{1 min}	1,1 mm	
r _{a1 max}	1 mm	
r _{a max}	2,1 mm	
r _{min}	2,1 mm	
m	3,86 kg	Mass
C _r	155000 N	Basic dynamic load rating, radial
e	1,14	
X	0,35	
Y	0,57	
Y ₀	0,26	
C _{0r}	124000 N	Basic static load rating, radial
n _G	4300 1/min	Limiting speed
n _B	4250 1/min	Reference speed
C _{ur}	7500 N	Fatigue limit load, radial



7317-B-JP

Figure 1 , Figure 2

d	85 mm	
D	180 mm	
B	41 mm	
a	76 mm	
D ₁	144 mm	
d ₁	122 mm	
D _{a max}	166 mm	
d _{a min}	99 mm	
D _{b max}	173 mm	
r _{1 min}	1,1 mm	
r _{a1 max}	1 mm	
r _{a max}	2,5 mm	
r _{min}	3 mm	
m	4,4 kg	Mass
C _r	167000 N	Basic dynamic load rating, radial
e	1,14	
X	0,35	
Y	0,57	
Y ₀	0,26	
C _{0r}	138000 N	Basic static load rating, radial
n _G	4000 1/min	Limiting speed
n _B	4100 1/min	Reference speed
C _{ur}	8100 N	Fatigue limit load, radial



7317-B-TVP

Figure 1 , Figure 2

d	85 mm	
D	180 mm	
B	41 mm	
a	76 mm	
D ₁	144 mm	
d ₁	122 mm	
D _{a max}	166 mm	
d _{a min}	99 mm	
D _{b max}	173 mm	
r _{1 min}	1,1 mm	
r _{a1 max}	1 mm	
r _{a max}	2,5 mm	
r _{min}	3 mm	
m	4,26 kg	Mass
C _r	167000 N	Basic dynamic load rating, radial
e	1,14	
X	0,35	
Y	0,57	
Y ₀	0,26	
C _{0r}	138000 N	Basic static load rating, radial
n _G	4000 1/min	Limiting speed
n _B	4100 1/min	Reference speed
C _{ur}	8100 N	Fatigue limit load, radial



7318-B-TVP

Figure 1 , Figure 2

d	90 mm	
D	190 mm	
B	43 mm	
a	80 mm	
D ₁	152,4 mm	
d ₁	130,1 mm	
D _{a max}	176 mm	
d _{a min}	104 mm	
D _{b max}	183 mm	
r _{1 min}	1,1 mm	
r _{a1 max}	1 mm	
r _{a max}	2,5 mm	
r _{min}	3 mm	
m	5 kg	Mass
C _r	180000 N	Basic dynamic load rating, radial
e	1,14	
X	0,35	
Y	0,57	
Y ₀	0,26	
C _{0r}	155000 N	Basic static load rating, radial
n _G	3800 1/min	Limiting speed
n _B	3900 1/min	Reference speed
C _{ur}	8800 N	Fatigue limit load, radial



7318-B-JP

Figure 1 , Figure 2

d	90 mm	
D	190 mm	
B	43 mm	
a	80 mm	
D ₁	152,4 mm	
d ₁	130,1 mm	
D _{a max}	176 mm	
d _{a min}	104 mm	
D _{b max}	183 mm	
r _{1 min}	1,1 mm	
r _{a1 max}	1 mm	
r _{a max}	2,5 mm	
r _{min}	3 mm	
m	5,14 kg	Mass
C _r	180000 N	Basic dynamic load rating, radial
e	1,14	
X	0,35	
Y	0,57	
Y ₀	0,26	
C _{0r}	155000 N	Basic static load rating, radial
n _G	3800 1/min	Limiting speed
n _B	3900 1/min	Reference speed
C _{ur}	8800 N	Fatigue limit load, radial



7319-B-TVP

Figure 1 , Figure 2

d	95 mm	
D	200 mm	
B	45 mm	
a	84 mm	
D ₁	159,5 mm	
d ₁	137,1 mm	
D _{a max}	186 mm	
d _{a min}	109 mm	
D _{b max}	193 mm	
r _{1 min}	1,1 mm	
r _{a1 max}	1 mm	
r _{a max}	2,5 mm	
r _{min}	3 mm	
m	5,78 kg	Mass
C _r	189000 N	Basic dynamic load rating, radial
e	1,14	
X	0,35	
Y	0,57	
Y ₀	0,26	
C _{0r}	167000 N	Basic static load rating, radial
n _G	3800 1/min	Limiting speed
n _B	3800 1/min	Reference speed
C _{ur}	9300 N	Fatigue limit load, radial



7319-B-JP

Figure 1 , Figure 2

d	95 mm	
D	200 mm	
B	45 mm	
a	84 mm	
D ₁	159,5 mm	
d ₁	137,1 mm	
D _{a max}	186 mm	
d _{a min}	109 mm	
D _{b max}	193 mm	
r _{1 min}	1,1 mm	
r _{a1 max}	1 mm	
r _{a max}	2,5 mm	
r _{min}	3 mm	
m	5,93 kg	Mass
C _r	189000 N	Basic dynamic load rating, radial
e	1,14	
X	0,35	
Y	0,57	
Y ₀	0,26	
C _{0r}	167000 N	Basic static load rating, radial
n _G	3800 1/min	Limiting speed
n _B	3800 1/min	Reference speed
C _{ur}	9300 N	Fatigue limit load, radial



7320-B-JP

Figure 1 , Figure 2

d	100 mm	
D	215 mm	
B	47 mm	
a	90 mm	
D ₁	171,7 mm	
d ₁	146,3 mm	
D _{a max}	201 mm	
d _{a min}	114 mm	
D _{b max}	208 mm	
r _{1 min}	1,1 mm	
r _{a1 max}	1 mm	
r _{a max}	2,5 mm	
r _{min}	3 mm	
m	7,38 kg	Mass
C _r	214000 N	Basic dynamic load rating, radial
e	1,14	
X	0,35	
Y	0,57	
Y ₀	0,26	
C _{0r}	197000 N	Basic static load rating, radial
n _G	3600 1/min	Limiting speed
n _B	3550 1/min	Reference speed
C _{ur}	10600 N	Fatigue limit load, radial



7320-B-TVP

Figure 1 , Figure 2

d	100 mm	
D	215 mm	
B	47 mm	
a	90 mm	
D ₁	171,7 mm	
d ₁	146,3 mm	
D _{a max}	201 mm	
d _{a min}	114 mm	
D _{b max}	208 mm	
r _{1 min}	1,1 mm	
r _{a1 max}	1 mm	
r _{a max}	2,5 mm	
r _{min}	3 mm	
m	7,16 kg	Mass
C _r	214000 N	Basic dynamic load rating, radial
e	1,14	
X	0,35	
Y	0,57	
Y ₀	0,26	
C _{0r}	197000 N	Basic static load rating, radial
n _G	3600 1/min	Limiting speed
n _B	3550 1/min	Reference speed
C _{ur}	10600 N	Fatigue limit load, radial



7321-B-MP

Figure 1 , Figure 2

d	105 mm	
D	225 mm	
B	49 mm	
a	94 mm	
D ₁	178,9 mm	
d ₁	154 mm	
D _{a max}	211 mm	
d _{a min}	119 mm	
D _{b max}	218 mm	
r _{1 min}	1,1 mm	
r _{a1 max}	1 mm	
r _{a max}	2,5 mm	
r _{min}	3 mm	
m	9 kg	Mass
C _r	225000 N	Basic dynamic load rating, radial
e	1,14	
X	0,35	
Y	0,57	
Y ₀	0,26	
C _{0r}	214000 N	Basic static load rating, radial
n _G	5300 1/min	Limiting speed
n _B	3400 1/min	Reference speed
C _{ur}	11200 N	Fatigue limit load, radial



7322-B-TVP

Figure 1 , Figure 2

d	110 mm	
D	240 mm	
B	50 mm	
a	98 mm	
D ₁	190,9 mm	
d ₁	162,3 mm	
D _{a max}	226 mm	
d _{a min}	124 mm	
D _{b max}	233 mm	
r _{1 min}	1,1 mm	
r _{a1 max}	1 mm	
r _{a max}	2,5 mm	
r _{min}	3 mm	
m	9,74 kg	Mass
C _r	250000 N	Basic dynamic load rating, radial
e	1,14	
X	0,35	
Y	0,57	
Y ₀	0,26	
C _{0r}	245000 N	Basic static load rating, radial
n _G	3400 1/min	Limiting speed
n _B	3150 1/min	Reference speed
C _{ur}	12500 N	Fatigue limit load, radial



7322-B-JP

Figure 1 , Figure 2

d	110 mm	
D	240 mm	
B	50 mm	
a	98 mm	
D ₁	190,9 mm	
d ₁	162,3 mm	
D _{a max}	226 mm	
d _{a min}	124 mm	
D _{b max}	233 mm	
r _{1 min}	1,1 mm	
r _{a1 max}	1 mm	
r _{a max}	2,5 mm	
r _{min}	3 mm	
m	9,97 kg	Mass
C _r	250000 N	Basic dynamic load rating, radial
e	1,14	
X	0,35	
Y	0,57	
Y ₀	0,26	
C _{0r}	245000 N	Basic static load rating, radial
n _G	3400 1/min	Limiting speed
n _B	3150 1/min	Reference speed
C _{ur}	12500 N	Fatigue limit load, radial



7324-B-TVP

Figure 1 , Figure 2

d	120 mm	
D	260 mm	
B	55 mm	
a	107 mm	
D ₁	207,1 mm	
d ₁	176,4 mm	
D _{a max}	246 mm	
d _{a min}	134 mm	
D _{b max}	253 mm	
r _{1 min}	1,1 mm	
r _{a1 max}	1 mm	
r _{a max}	2,5 mm	
r _{min}	3 mm	
m	12,5 kg	Mass
C _r	275000 N	Basic dynamic load rating, radial
e	1,14	
X	0,35	
Y	0,57	
Y ₀	0,26	
C _{0r}	285000 N	Basic static load rating, radial
n _G	3200 1/min	Limiting speed
n _B	2850 1/min	Reference speed
C _{ur}	13900 N	Fatigue limit load, radial



7326-B-TVP

Figure 1 , Figure 2

d	130 mm	
D	280 mm	
B	58 mm	
a	115 mm	
D ₁	222,5 mm	
d ₁	188,5 mm	
D _{a max}	263 mm	
d _{a min}	147 mm	
D _{b max}	271 mm	
r _{1 min}	1,5 mm	
r _{a1 max}	1,5 mm	
r _{a max}	3 mm	
r _{min}	4 mm	
m	15,1 kg	Mass
C _r	305000 N	Basic dynamic load rating, radial
e	1,14	
X	0,35	
Y	0,57	
Y ₀	0,26	
C _{0r}	325000 N	Basic static load rating, radial
n _G	3000 1/min	Limiting speed
n _B	2600 1/min	Reference speed
C _{ur}	15400 N	Fatigue limit load, radial



7328-B-MP

Figure 1 , Figure 2

d	140 mm	
D	300 mm	
B	62 mm	
a	123 mm	
D ₁	239,5 mm	
d ₁	204,4 mm	
D _{a max}	283 mm	
d _{a min}	157 mm	
D _{b max}	291 mm	
r _{1 min}	1,5 mm	
r _{a1 max}	1,5 mm	
r _{a max}	3 mm	
r _{min}	4 mm	
m	20,5 kg	Mass
C _r	300000 N	Basic dynamic load rating, radial
e	1,14	
X	0,35	
Y	0,57	
Y ₀	0,26	
C _{0r}	345000 N	Basic static load rating, radial
n _G	4300 1/min	Limiting speed
n _B	2400 1/min	Reference speed
C _{ur}	12700 N	Fatigue limit load, radial



7330-B-MP

Figure 1 , Figure 2

d	150 mm	
D	320 mm	
B	65 mm	
a	131 mm	
D ₁	255,8 mm	
d ₁	218,3 mm	
D _{a max}	303 mm	
d _{a min}	167 mm	
D _{b max}	311 mm	
r _{1 min}	1,5 mm	
r _{a1 max}	1,5 mm	
r _{a max}	3 mm	
r _{min}	4 mm	
m	24,8 kg	Mass
C _r	325000 N	Basic dynamic load rating, radial
e	1,14	
X	0,35	
Y	0,57	
Y ₀	0,26	
C _{0r}	390000 N	Basic static load rating, radial
n _G	3800 1/min	Limiting speed
n _B	2200 1/min	Reference speed
C _{ur}	14200 N	Fatigue limit load, radial

7332-B-MP



Figure 1 , Figure 2

d	160 mm	
D	340 mm	
B	68 mm	
a	139 mm	
D ₁	270 mm	
d ₁	231 mm	
D _{a max}	323 mm	
d _{a min}	177 mm	
D _{b max}	331 mm	
r _{1 min}	1,5 mm	
r _{a1 max}	1,5 mm	
r _{a max}	3 mm	
r _{min}	4 mm	
m	29 kg	Mass
C _r	360000 N	Basic dynamic load rating, radial
e	1,14	
X	0,35	
Y	0,57	
Y ₀	0,26	
C _{0r}	450000 N	Basic static load rating, radial
n _G	3600 1/min	Limiting speed
n _B	2040 1/min	Reference speed
C _{ur}	15100 N	Fatigue limit load, radial



7334-B-MP

Figure 1 , Figure 2

d	170 mm	
D	360 mm	
B	72 mm	
a	147 mm	
D ₁	290,9 mm	
d ₁	249 mm	
D _{a max}	343 mm	
d _{a min}	187 mm	
D _{b max}	351 mm	
r _{1 min}	1,5 mm	
r _{a1 max}	1,5 mm	
r _{a max}	3 mm	
r _{min}	4 mm	
m	34,4 kg	Mass
C _r	405000 N	Basic dynamic load rating, radial
e	1,14	
X	0,35	
Y	0,57	
Y ₀	0,26	
C _{0r}	530000 N	Basic static load rating, radial
n _G	3200 1/min	Limiting speed
n _B	1840 1/min	Reference speed
C _{ur}	18100 N	Fatigue limit load, radial