

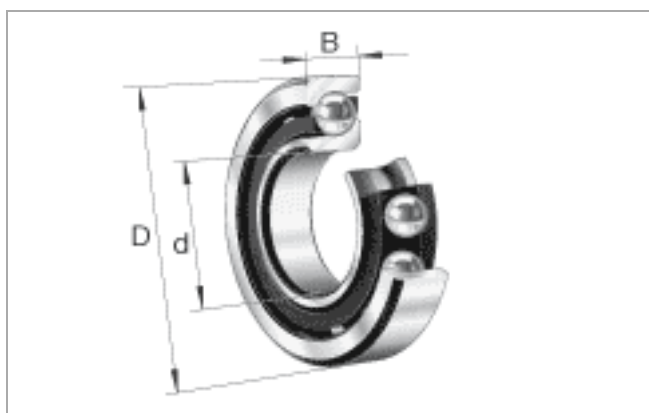


Angular contact ball bearings 72..-B

main dimensions to DIN 628-1, contact angle $\alpha = 40^\circ$



The datasheet is only an overview of dimensions and basic load ratings for the selected series. Please ensure that you note all the guidance in these overview pages. Further information is given on many products under the menu item "Description". You can also request comprehensive information material via Catalogue selection (<http://www.fag.de/content.fag.de/en/services/mediathek/library/library.jsp>), by e-mail (sales_promotion@fag.de) or by telephone +49 (91 32) 82 - 28 97.



	d mm	D mm	B mm
7200-B-JP	10	30	9
7200-B-TVP	10	30	9
7201-B-TVP	12	32	10
7201-B-JP	12	32	10
7202-B-TVP	15	35	11
7202-B-JP	15	35	11
7203-B-JP	17	40	12
7203-B-TVP	17	40	12
7204-B-TVP	20	47	14
7204-B-JP	20	47	14
7205-B-TVP	25	52	15
7205-B-JP	25	52	15
7206-B-TVP	30	62	16
7206-B-JP	30	62	16
7207-B-TVP	35	72	17
	d mm	D mm	B mm

	d mm	D mm	B mm	
7207-B-JP		35	72	17
7208-B-JP		40	80	18
7208-B-TVP		40	80	18
7209-B-TVP		45	85	19
7209-B-JP		45	85	19
7210-B-TVP		50	90	20
7210-B-JP		50	90	20
7211-B-JP		55	100	21
7211-B-TVP		55	100	21
7212-B-TVP		60	110	22
7212-B-JP		60	110	22
7213-B-TVP		65	120	23
7213-B-JP		65	120	23
7214-B-TVP		70	125	24
7214-B-JP		70	125	24
7215-B-TVP		75	130	25
7215-B-JP		75	130	25
7216-B-JP		80	140	26
7216-B-TVP		80	140	26
7217-B-TVP		85	150	28
7217-B-JP		85	150	28
7218-B-TVP		90	160	30
7218-B-JP		90	160	30
7219-B-JP		95	170	32
7219-B-TVP		95	170	32
7220-B-TVP		100	180	34
7220-B-JP		100	180	34
7221-B-MP		105	190	36
7222-B-JP		110	200	38
7222-B-TVP		110	200	38
7224-B-TVP		120	215	40
7226-B-TVP		130	230	40
7228-B-MP		140	250	42
	d mm	D mm	B mm	

	d mm	D mm	B mm
7230-B-MP	150	270	45
7232-B-MP	160	290	48
7234-B-MP	170	310	52
	d mm	D mm	B mm

Figure 1

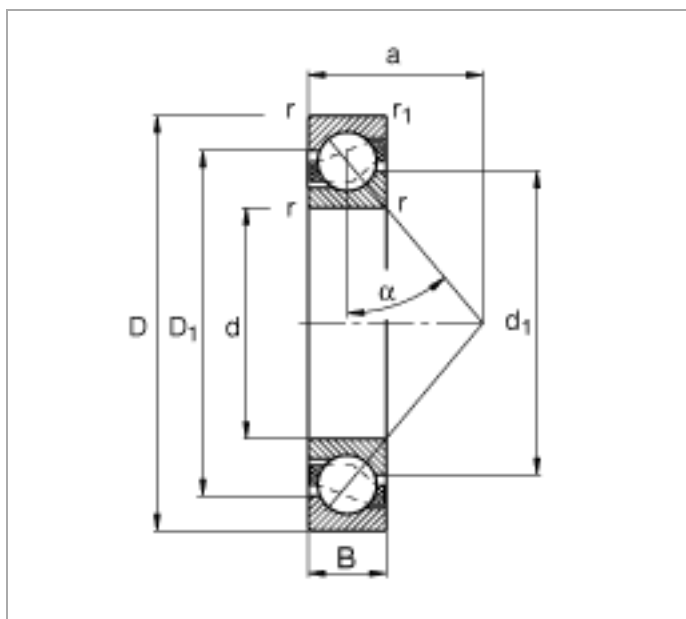
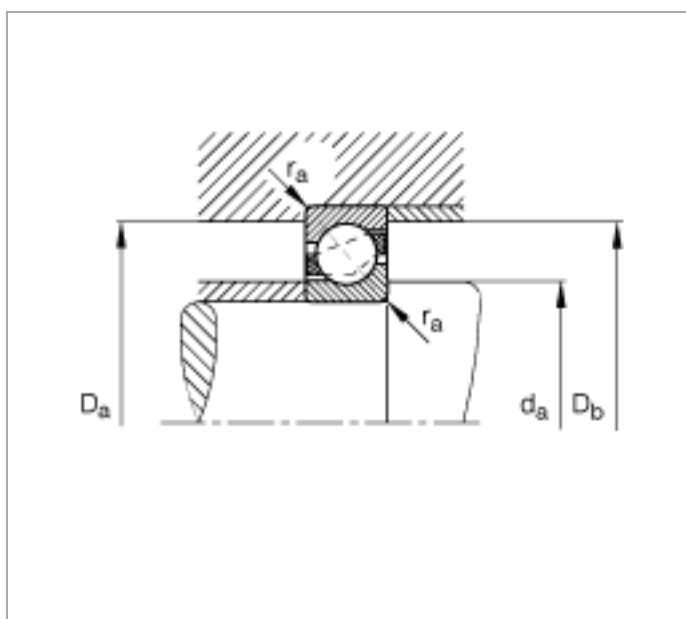


Figure 2



7200-B-JP



Figure 1 , Figure 2

d	10 mm	
D	30 mm	
B	9 mm	
a	13 mm	
D ₁	22 mm	
d ₁	18,3 mm	
D _{a max}	25,8 mm	
d _{a min}	14,2 mm	
D _{b max}	27,6 mm	
r _{1 min}	0,3 mm	
r _{a1 max}	0,3 mm	
r _{a max}	0,6 mm	
r _{min}	0,6 mm	
m	0,033 kg	Mass
C _r	5300 N	Basic dynamic load rating, radial
e	1,14	
X	0,35	
Y	0,57	
Y ₀	0,26	
C _{0r}	2600 N	Basic static load rating, radial
n _G	32000 1/min	Limiting speed
n _B	22600 1/min	Reference speed
C _{ur}	174 N	Fatigue limit load, radial



7200-B-TVP

Figure 1 , Figure 2

d	10 mm	
D	30 mm	
B	9 mm	
a	13 mm	
D ₁	22 mm	
d ₁	18,3 mm	
D _{a max}	25,8 mm	
d _{a min}	14,2 mm	
D _{b max}	27,6 mm	
r _{1 min}	0,3 mm	
r _{a1 max}	0,3 mm	
r _{a max}	0,6 mm	
r _{min}	0,6 mm	
m	0,032 kg	Mass
C _r	5300 N	Basic dynamic load rating, radial
e	1,14	
X	0,35	
Y	0,57	
Y ₀	0,26	
C _{0r}	2600 N	Basic static load rating, radial
n _G	32000 1/min	Limiting speed
n _B	22600 1/min	Reference speed
C _{ur}	174 N	Fatigue limit load, radial



7201-B-TVP

Figure 1 , Figure 2

d	12 mm	
D	32 mm	
B	10 mm	
a	14 mm	
D ₁	24,6 mm	
d ₁	19,8 mm	
D _{a max}	27,8 mm	
d _{a min}	16,2 mm	
D _{b max}	29,6 mm	
r _{1 min}	0,3 mm	
r _{a1 max}	0,3 mm	
r _{a max}	0,6 mm	
r _{min}	0,6 mm	
m	0,035 kg	Mass
C _r	7400 N	Basic dynamic load rating, radial
e	1,14	
X	0,35	
Y	0,57	
Y ₀	0,26	
C _{0r}	3550 N	Basic static load rating, radial
n _G	28000 1/min	Limiting speed
n _B	21100 1/min	Reference speed
C _{ur}	241 N	Fatigue limit load, radial



7201-B-JP

Figure 1 , Figure 2

d	12 mm	
D	32 mm	
B	10 mm	
a	14 mm	
D ₁	24,6 mm	
d ₁	19,8 mm	
D _{a max}	27,8 mm	
d _{a min}	16,2 mm	
D _{b max}	29,6 mm	
r _{1 min}	0,3 mm	
r _{a1 max}	0,3 mm	
r _{a max}	0,6 mm	
r _{min}	0,6 mm	
m	0,037 kg	Mass
C _r	7400 N	Basic dynamic load rating, radial
e	1,14	
X	0,35	
Y	0,57	
Y ₀	0,26	
C _{0r}	3550 N	Basic static load rating, radial
n _G	28000 1/min	Limiting speed
n _B	21100 1/min	Reference speed
C _{ur}	241 N	Fatigue limit load, radial



7202-B-TVP

Figure 1 , Figure 2

d	15 mm	
D	35 mm	
B	11 mm	
a	16 mm	
D ₁	27,6 mm	
d ₁	22,8 mm	
D _{a max}	30,8 mm	
d _{a min}	19,2 mm	
D _{b max}	32,6 mm	
r _{1 min}	0,3 mm	
r _{a1 max}	0,3 mm	
r _{a max}	0,6 mm	
r _{min}	0,6 mm	
m	0,044 kg	Mass
C _r	8400 N	Basic dynamic load rating, radial
e	1,14	
X	0,35	
Y	0,57	
Y ₀	0,26	
C _{0r}	4450 N	Basic static load rating, radial
n _G	24000 1/min	Limiting speed
n _B	19100 1/min	Reference speed
C _{ur}	300 N	Fatigue limit load, radial

7202-B-JP



Figure 1 , Figure 2

d	15 mm	
D	35 mm	
B	11 mm	
a	16 mm	
D ₁	27,6 mm	
d ₁	22,8 mm	
D _{a max}	30,8 mm	
d _{a min}	19,2 mm	
D _{b max}	32,6 mm	
r _{1 min}	0,3 mm	
r _{a1 max}	0,3 mm	
r _{a max}	0,6 mm	
r _{min}	0,6 mm	
m	0,045 kg	Mass
C _r	8400 N	Basic dynamic load rating, radial
e	1,14	
X	0,35	
Y	0,57	
Y ₀	0,26	
C _{0r}	4450 N	Basic static load rating, radial
n _G	24000 1/min	Limiting speed
n _B	19100 1/min	Reference speed
C _{ur}	300 N	Fatigue limit load, radial

7203-B-JP



Figure 1 , Figure 2

d	17 mm	
D	40 mm	
B	12 mm	
a	18 mm	
D ₁	31,5 mm	
d ₁	26 mm	
D _{a max}	35,8 mm	
d _{a min}	21,2 mm	
D _{b max}	35,8 mm	
r _{1 min}	0,6 mm	
r _{a1 max}	0,6 mm	
r _{a max}	0,6 mm	
r _{min}	0,6 mm	
m	0,067 kg	Mass
C _r	10500 N	Basic dynamic load rating, radial
e	1,14	
X	0,35	
Y	0,57	
Y ₀	0,26	
C _{0r}	5700 N	Basic static load rating, radial
n _G	20000 1/min	Limiting speed
n _B	17100 1/min	Reference speed
C _{ur}	380 N	Fatigue limit load, radial



7203-B-TVP

Figure 1 , Figure 2

d	17 mm	
D	40 mm	
B	12 mm	
a	18 mm	
D ₁	31,5 mm	
d ₁	26 mm	
D _{a max}	35,8 mm	
d _{a min}	21,2 mm	
D _{b max}	35,8 mm	
r _{1 min}	0,6 mm	
r _{a1 max}	0,6 mm	
r _{a max}	0,6 mm	
r _{min}	0,6 mm	
m	0,064 kg	Mass
C _r	10500 N	Basic dynamic load rating, radial
e	1,14	
X	0,35	
Y	0,57	
Y ₀	0,26	
C _{0r}	5700 N	Basic static load rating, radial
n _G	20000 1/min	Limiting speed
n _B	17100 1/min	Reference speed
C _{ur}	380 N	Fatigue limit load, radial

7204-B-TVP



Figure 1 , Figure 2

d	20 mm	
D	47 mm	
B	14 mm	
a	21 mm	
D ₁	37 mm	
d ₁	30,5 mm	
D _{a max}	41,4 mm	
d _{a min}	25,6 mm	
D _{b max}	42,8 mm	
r _{1 min}	0,6 mm	
r _{a1 max}	0,6 mm	
r _{a max}	1 mm	
r _{min}	1 mm	
m	0,103 kg	Mass
C _r	14000 N	Basic dynamic load rating, radial
e	1,14	
X	0,35	
Y	0,57	
Y ₀	0,26	
C _{0r}	7800 N	Basic static load rating, radial
n _G	18000 1/min	Limiting speed
n _B	15400 1/min	Reference speed
C _{ur}	520 N	Fatigue limit load, radial



7204-B-JP

Figure 1 , Figure 2

d	20 mm	
D	47 mm	
B	14 mm	
a	21 mm	
D ₁	37 mm	
d ₁	30,5 mm	
D _{a max}	41,4 mm	
d _{a min}	25,6 mm	
D _{b max}	42,8 mm	
r _{1 min}	0,6 mm	
r _{a1 max}	0,6 mm	
r _{a max}	1 mm	
r _{min}	1 mm	
m	0,106 kg	Mass
C _r	14000 N	Basic dynamic load rating, radial
e	1,14	
X	0,35	
Y	0,57	
Y ₀	0,26	
C _{0r}	7800 N	Basic static load rating, radial
n _G	18000 1/min	Limiting speed
n _B	15400 1/min	Reference speed
C _{ur}	520 N	Fatigue limit load, radial

7205-B-TVP



Figure 1 , Figure 2

d	25 mm	
D	52 mm	
B	15 mm	
a	24 mm	
D ₁	42 mm	
d ₁	35,5 mm	
D _{a max}	46,4 mm	
d _{a min}	30,6 mm	
D _{b max}	47,8 mm	
r _{1 min}	0,6 mm	
r _{a1 max}	0,6 mm	
r _{a max}	1 mm	
r _{min}	1 mm	
m	0,127 kg	Mass
C _r	15300 N	Basic dynamic load rating, radial
e	1,14	
X	0,35	
Y	0,57	
Y ₀	0,26	
C _{0r}	9000 N	Basic static load rating, radial
n _G	16000 1/min	Limiting speed
n _B	13700 1/min	Reference speed
C _{ur}	600 N	Fatigue limit load, radial

7205-B-JP



Figure 1 , Figure 2

d	25 mm	
D	52 mm	
B	15 mm	
a	24 mm	
D ₁	42 mm	
d ₁	35,5 mm	
D _{a max}	46,4 mm	
d _{a min}	30,6 mm	
D _{b max}	47,8 mm	
r _{1 min}	0,6 mm	
r _{a1 max}	0,6 mm	
r _{a max}	1 mm	
r _{min}	1 mm	
m	0,13 kg	Mass
C _r	15300 N	Basic dynamic load rating, radial
e	1,14	
X	0,35	
Y	0,57	
Y ₀	0,26	
C _{0r}	9000 N	Basic static load rating, radial
n _G	16000 1/min	Limiting speed
n _B	13700 1/min	Reference speed
C _{ur}	600 N	Fatigue limit load, radial



7206-B-TVP

Figure 1 , Figure 2

d	30 mm	
D	62 mm	
B	16 mm	
a	27 mm	
D ₁	49,5 mm	
d ₁	43,2 mm	
D _{a max}	56,4 mm	
d _{a min}	35,6 mm	
D _{b max}	57,8 mm	
r _{1 min}	0,6 mm	
r _{a1 max}	0,6 mm	
r _{a max}	1 mm	
r _{min}	1 mm	
m	0,197 kg	Mass
C _r	21700 N	Basic dynamic load rating, radial
e	1,14	
X	0,35	
Y	0,57	
Y ₀	0,26	
C _{0r}	14100 N	Basic static load rating, radial
n _G	13000 1/min	Limiting speed
n _B	11200 1/min	Reference speed
C _{ur}	950 N	Fatigue limit load, radial



7206-B-JP

Figure 1 , Figure 2

d	30 mm	
D	62 mm	
B	16 mm	
a	27 mm	
D ₁	49,5 mm	
d ₁	43,2 mm	
D _{a max}	56,4 mm	
d _{a min}	35,6 mm	
D _{b max}	57,8 mm	
r _{1 min}	0,6 mm	
r _{a1 max}	0,6 mm	
r _{a max}	1 mm	
r _{min}	1 mm	
m	0,203 kg	Mass
C _r	21700 N	Basic dynamic load rating, radial
e	1,14	
X	0,35	
Y	0,57	
Y ₀	0,26	
C _{0r}	14100 N	Basic static load rating, radial
n _G	13000 1/min	Limiting speed
n _B	11200 1/min	Reference speed
C _{ur}	950 N	Fatigue limit load, radial

7207-B-TVP



Figure 1 , Figure 2

d	35 mm	
D	72 mm	
B	17 mm	
a	31 mm	
D ₁	57,6 mm	
d ₁	50,2 mm	
D _{a max}	65 mm	
d _{a min}	42 mm	
D _{b max}	67,8 mm	
r _{1 min}	0,6 mm	
r _{a1 max}	0,6 mm	
r _{a max}	1 mm	
r _{min}	1,1 mm	
m	0,282 kg	Mass
C _r	28000 N	Basic dynamic load rating, radial
e	1,14	
X	0,35	
Y	0,57	
Y ₀	0,26	
C _{0r}	19000 N	Basic static load rating, radial
n _G	11000 1/min	Limiting speed
n _B	9600 1/min	Reference speed
C _{ur}	1280 N	Fatigue limit load, radial



7207-B-JP

Figure 1 , Figure 2

d	35 mm	
D	72 mm	
B	17 mm	
a	31 mm	
D ₁	57,6 mm	
d ₁	50,2 mm	
D _{a max}	65 mm	
d _{a min}	42 mm	
D _{b max}	67,8 mm	
r _{1 min}	0,6 mm	
r _{a1 max}	0,6 mm	
r _{a max}	1 mm	
r _{min}	1,1 mm	
m	0,29 kg	Mass
C _r	28000 N	Basic dynamic load rating, radial
e	1,14	
X	0,35	
Y	0,57	
Y ₀	0,26	
C _{0r}	19000 N	Basic static load rating, radial
n _G	11000 1/min	Limiting speed
n _B	9600 1/min	Reference speed
C _{ur}	1280 N	Fatigue limit load, radial



7208-B-JP

Figure 1 , Figure 2

d	40 mm	
D	80 mm	
B	18 mm	
a	34 mm	
D ₁	64,4 mm	
d ₁	56,4 mm	
D _{a max}	73 mm	
d _{a min}	47 mm	
D _{b max}	75,8 mm	
r _{1 min}	0,6 mm	
r _{a1 max}	0,6 mm	
r _{a max}	1 mm	
r _{min}	1,1 mm	
m	0,372 kg	Mass
C _r	34000 N	Basic dynamic load rating, radial
e	1,14	
X	0,35	
Y	0,57	
Y ₀	0,26	
C _{0r}	23500 N	Basic static load rating, radial
n _G	9500 1/min	Limiting speed
n _B	8600 1/min	Reference speed
C _{ur}	1580 N	Fatigue limit load, radial

7208-B-TVP



Figure 1 , Figure 2

d	40 mm	
D	80 mm	
B	18 mm	
a	34 mm	
D ₁	64,4 mm	
d ₁	56,4 mm	
D _{a max}	73 mm	
d _{a min}	47 mm	
D _{b max}	75,8 mm	
r _{1 min}	0,6 mm	
r _{a1 max}	0,6 mm	
r _{a max}	1 mm	
r _{min}	1,1 mm	
m	0,367 kg	Mass
C _r	34000 N	Basic dynamic load rating, radial
e	1,14	
X	0,35	
Y	0,57	
Y ₀	0,26	
C _{0r}	23500 N	Basic static load rating, radial
n _G	9500 1/min	Limiting speed
n _B	8600 1/min	Reference speed
C _{ur}	1580 N	Fatigue limit load, radial

7209-B-TVP



Figure 1 , Figure 2

d	45 mm	
D	85 mm	
B	19 mm	
a	37 mm	
D ₁	69,8 mm	
d ₁	61,2 mm	
D _{a max}	78 mm	
d _{a min}	52 mm	
D _{b max}	80,8 mm	
r _{1 min}	0,6 mm	
r _{a1 max}	0,6 mm	
r _{a max}	1 mm	
r _{min}	1,1 mm	
m	0,405 kg	Mass
C _r	37500 N	Basic dynamic load rating, radial
e	1,14	
X	0,35	
Y	0,57	
Y ₀	0,26	
C _{0r}	27000 N	Basic static load rating, radial
n _G	8500 1/min	Limiting speed
n _B	8000 1/min	Reference speed
C _{ur}	1810 N	Fatigue limit load, radial



7209-B-JP

Figure 1 , Figure 2

d	45 mm	
D	85 mm	
B	19 mm	
a	37 mm	
D ₁	69,8 mm	
d ₁	61,2 mm	
D _{a max}	78 mm	
d _{a min}	52 mm	
D _{b max}	80,8 mm	
r _{1 min}	0,6 mm	
r _{a1 max}	0,6 mm	
r _{a max}	1 mm	
r _{min}	1,1 mm	
m	0,411 kg	Mass
C _r	37500 N	Basic dynamic load rating, radial
e	1,14	
X	0,35	
Y	0,57	
Y ₀	0,26	
C _{0r}	27000 N	Basic static load rating, radial
n _G	8500 1/min	Limiting speed
n _B	8000 1/min	Reference speed
C _{ur}	1810 N	Fatigue limit load, radial



7210-B-TVP

Figure 1 , Figure 2

d	50 mm	
D	90 mm	
B	20 mm	
a	39 mm	
D ₁	74,8 mm	
d ₁	66,3 mm	
D _{a max}	83 mm	
d _{a min}	57 mm	
D _{b max}	85,8 mm	
r _{1 min}	0,6 mm	
r _{a1 max}	0,6 mm	
r _{a max}	1 mm	
r _{min}	1,1 mm	
m	0,456 kg	Mass
C _r	39000 N	Basic dynamic load rating, radial
e	1,14	
X	0,35	
Y	0,57	
Y ₀	0,26	
C _{0r}	28500 N	Basic static load rating, radial
n _G	8000 1/min	Limiting speed
n _B	7600 1/min	Reference speed
C _{ur}	1920 N	Fatigue limit load, radial



7210-B-JP

Figure 1 , Figure 2

d	50 mm	
D	90 mm	
B	20 mm	
a	39 mm	
D ₁	74,8 mm	
d ₁	66,3 mm	
D _{a max}	83 mm	
d _{a min}	57 mm	
D _{b max}	85,8 mm	
r _{1 min}	0,6 mm	
r _{a1 max}	0,6 mm	
r _{a max}	1 mm	
r _{min}	1,1 mm	
m	0,466 kg	Mass
C _r	39000 N	Basic dynamic load rating, radial
e	1,14	
X	0,35	
Y	0,57	
Y ₀	0,26	
C _{0r}	28500 N	Basic static load rating, radial
n _G	8000 1/min	Limiting speed
n _B	7600 1/min	Reference speed
C _{ur}	1920 N	Fatigue limit load, radial



7211-B-JP

Figure 1 , Figure 2

d	55 mm	
D	100 mm	
B	21 mm	
a	43 mm	
D ₁	83 mm	
d ₁	72,6 mm	
D _{a max}	91 mm	
d _{a min}	64 mm	
D _{b max}	94,4 mm	
r _{1 min}	1 mm	
r _{a1 max}	1 mm	
r _{a max}	1,5 mm	
r _{min}	1,5 mm	
m	0,645 kg	Mass
C _r	49000 N	Basic dynamic load rating, radial
e	1,14	
X	0,35	
Y	0,57	
Y ₀	0,26	
C _{0r}	38500 N	Basic static load rating, radial
n _G	7000 1/min	Limiting speed
n _B	6800 1/min	Reference speed
C _{ur}	2600 N	Fatigue limit load, radial



7211-B-TVP

Figure 1 , Figure 2

d	55 mm	
D	100 mm	
B	21 mm	
a	43 mm	
D ₁	83 mm	
d ₁	72,6 mm	
D _{a max}	91 mm	
d _{a min}	64 mm	
D _{b max}	94,4 mm	
r _{1 min}	1 mm	
r _{a1 max}	1 mm	
r _{a max}	1,5 mm	
r _{min}	1,5 mm	
m	0,604 kg	Mass
C _r	49000 N	Basic dynamic load rating, radial
e	1,14	
X	0,35	
Y	0,57	
Y ₀	0,26	
C _{0r}	38500 N	Basic static load rating, radial
n _G	7000 1/min	Limiting speed
n _B	6800 1/min	Reference speed
C _{ur}	2600 N	Fatigue limit load, radial



7212-B-TVP

Figure 1 , Figure 2

d	60 mm	
D	110 mm	
B	22 mm	
a	47 mm	
D ₁	90,8 mm	
d ₁	80,3 mm	
D _{a max}	101 mm	
d _{a min}	69 mm	
D _{b max}	104,4 mm	
r _{1 min}	1 mm	
r _{a1 max}	1 mm	
r _{a max}	1,5 mm	
r _{min}	1,5 mm	
m	0,777 kg	Mass
C _r	59000 N	Basic dynamic load rating, radial
e	1,14	
X	0,35	
Y	0,57	
Y ₀	0,26	
C _{0r}	45000 N	Basic static load rating, radial
n _G	6300 1/min	Limiting speed
n _B	6200 1/min	Reference speed
C _{ur}	3050 N	Fatigue limit load, radial



7212-B-JP

Figure 1 , Figure 2

d	60 mm	
D	110 mm	
B	22 mm	
a	47 mm	
D ₁	90,8 mm	
d ₁	80,3 mm	
D _{a max}	101 mm	
d _{a min}	69 mm	
D _{b max}	104,4 mm	
r _{1 min}	1 mm	
r _{a1 max}	1 mm	
r _{a max}	1,5 mm	
r _{min}	1,5 mm	
m	0,782 kg	Mass
C _r	59000 N	Basic dynamic load rating, radial
e	1,14	
X	0,35	
Y	0,57	
Y ₀	0,26	
C _{0r}	45000 N	Basic static load rating, radial
n _G	6300 1/min	Limiting speed
n _B	6200 1/min	Reference speed
C _{ur}	3050 N	Fatigue limit load, radial

7213-B-TVP



Figure 1 , Figure 2

d	65 mm	
D	120 mm	
B	23 mm	
a	51 mm	
D ₁	98,9 mm	
d ₁	86,4 mm	
D _{a max}	111 mm	
d _{a min}	74 mm	
D _{b max}	114,4 mm	
r _{1 min}	1 mm	
r _{a1 max}	1 mm	
r _{a max}	1,5 mm	
r _{min}	1,5 mm	
m	1 kg	Mass
C _r	67000 N	Basic dynamic load rating, radial
e	1,14	
X	0,35	
Y	0,57	
Y ₀	0,26	
C _{0r}	55000 N	Basic static load rating, radial
n _G	6000 1/min	Limiting speed
n _B	5700 1/min	Reference speed
C _{ur}	3700 N	Fatigue limit load, radial



7213-B-JP

Figure 1 , Figure 2

d	65 mm	
D	120 mm	
B	23 mm	
a	51 mm	
D ₁	98,9 mm	
d ₁	86,4 mm	
D _{a max}	111 mm	
d _{a min}	74 mm	
D _{b max}	114,4 mm	
r _{1 min}	1 mm	
r _{a1 max}	1 mm	
r _{a max}	1,5 mm	
r _{min}	1,5 mm	
m	1,08 kg	Mass
C _r	67000 N	Basic dynamic load rating, radial
e	1,14	
X	0,35	
Y	0,57	
Y ₀	0,26	
C _{0r}	55000 N	Basic static load rating, radial
n _G	6000 1/min	Limiting speed
n _B	5700 1/min	Reference speed
C _{ur}	3700 N	Fatigue limit load, radial



7214-B-TVP

Figure 1 , Figure 2

d	70 mm	
D	125 mm	
B	24 mm	
a	53 mm	
D ₁	104,2 mm	
d ₁	91 mm	
D _{a max}	116 mm	
d _{a min}	79 mm	
D _{b max}	119,4 mm	
r _{1 min}	1 mm	
r _{a1 max}	1 mm	
r _{a max}	1,5 mm	
r _{min}	1,5 mm	
m	1,08 kg	Mass
C _r	74000 N	Basic dynamic load rating, radial
e	1,14	
X	0,35	
Y	0,57	
Y ₀	0,26	
C _{0r}	62000 N	Basic static load rating, radial
n _G	5600 1/min	Limiting speed
n _B	5400 1/min	Reference speed
C _{ur}	4200 N	Fatigue limit load, radial

7214-B-JP



Figure 1 , Figure 2

d	70 mm	
D	125 mm	
B	24 mm	
a	53 mm	
D ₁	104,2 mm	
d ₁	91 mm	
D _{a max}	116 mm	
d _{a min}	79 mm	
D _{b max}	119,4 mm	
r _{1 min}	1 mm	
r _{a1 max}	1 mm	
r _{a max}	1,5 mm	
r _{min}	1,5 mm	
m	1,17 kg	Mass
C _r	74000 N	Basic dynamic load rating, radial
e	1,14	
X	0,35	
Y	0,57	
Y ₀	0,26	
C _{0r}	62000 N	Basic static load rating, radial
n _G	5600 1/min	Limiting speed
n _B	5400 1/min	Reference speed
C _{ur}	4200 N	Fatigue limit load, radial



7215-B-TVP

Figure 1 , Figure 2

d	75 mm	
D	130 mm	
B	25 mm	
a	56 mm	
D ₁	109,2 mm	
d ₁	96,5 mm	
D _{a max}	121 mm	
d _{a min}	84 mm	
D _{b max}	124,4 mm	
r _{1 min}	1 mm	
r _{a1 max}	1 mm	
r _{a max}	1,5 mm	
r _{min}	1,5 mm	
m	1,16 kg	Mass
C _r	73000 N	Basic dynamic load rating, radial
e	1,14	
X	0,35	
Y	0,57	
Y ₀	0,26	
C _{0r}	62000 N	Basic static load rating, radial
n _G	5300 1/min	Limiting speed
n _B	5300 1/min	Reference speed
C _{ur}	4100 N	Fatigue limit load, radial



7215-B-JP

Figure 1 , Figure 2

d	75 mm	
D	130 mm	
B	25 mm	
a	56 mm	
D ₁	109,2 mm	
d ₁	96,5 mm	
D _{a max}	121 mm	
d _{a min}	84 mm	
D _{b max}	124,4 mm	
r _{1 min}	1 mm	
r _{a1 max}	1 mm	
r _{a max}	1,5 mm	
r _{min}	1,5 mm	
m	1,25 kg	Mass
C _r	73000 N	Basic dynamic load rating, radial
e	1,14	
X	0,35	
Y	0,57	
Y ₀	0,26	
C _{0r}	62000 N	Basic static load rating, radial
n _G	5300 1/min	Limiting speed
n _B	5300 1/min	Reference speed
C _{ur}	4100 N	Fatigue limit load, radial



7216-B-JP

Figure 1 , Figure 2

d	80 mm	
D	140 mm	
B	26 mm	
a	59 mm	
D ₁	117,2 mm	
d ₁	102,9 mm	
D _{a max}	129 mm	
d _{a min}	91 mm	
D _{b max}	134,4 mm	
r _{1 min}	1 mm	
r _{a1 max}	1 mm	
r _{a max}	2 mm	
r _{min}	2 mm	
m	1,53 kg	Mass
C _r	85000 N	Basic dynamic load rating, radial
e	1,14	
X	0,35	
Y	0,57	
Y ₀	0,26	
C _{0r}	72000 N	Basic static load rating, radial
n _G	5000 1/min	Limiting speed
n _B	4950 1/min	Reference speed
C _{ur}	4650 N	Fatigue limit load, radial

7216-B-TVP



Figure 1 , Figure 2

d	80 mm	
D	140 mm	
B	26 mm	
a	59 mm	
D ₁	117,2 mm	
d ₁	102,9 mm	
D _{a max}	129 mm	
d _{a min}	91 mm	
D _{b max}	134,4 mm	
r _{1 min}	1 mm	
r _{a1 max}	1 mm	
r _{a max}	2 mm	
r _{min}	2 mm	
m	1,42 kg	Mass
C _r	85000 N	Basic dynamic load rating, radial
e	1,14	
X	0,35	
Y	0,57	
Y ₀	0,26	
C _{0r}	72000 N	Basic static load rating, radial
n _G	5000 1/min	Limiting speed
n _B	4950 1/min	Reference speed
C _{ur}	4650 N	Fatigue limit load, radial



7217-B-TVP

Figure 1 , Figure 2

d	85 mm	
D	150 mm	
B	28 mm	
a	63 mm	
D ₁	125 mm	
d ₁	110,6 mm	
D _{a max}	139 mm	
d _{a min}	96 mm	
D _{b max}	144,4 mm	
r _{1 min}	1 mm	
r _{a1 max}	1 mm	
r _{a max}	2 mm	
r _{min}	2 mm	
m	1,82 kg	Mass
C _r	97000 N	Basic dynamic load rating, radial
e	1,14	
X	0,35	
Y	0,57	
Y ₀	0,26	
C _{0r}	86000 N	Basic static load rating, radial
n _G	4500 1/min	Limiting speed
n _B	4750 1/min	Reference speed
C _{ur}	5300 N	Fatigue limit load, radial



7217-B-JP

Figure 1 , Figure 2

d	85 mm	
D	150 mm	
B	28 mm	
a	63 mm	
D ₁	125 mm	
d ₁	110,6 mm	
D _{a max}	139 mm	
d _{a min}	96 mm	
D _{b max}	144,4 mm	
r _{1 min}	1 mm	
r _{a1 max}	1 mm	
r _{a max}	2 mm	
r _{min}	2 mm	
m	1,94 kg	Mass
C _r	97000 N	Basic dynamic load rating, radial
e	1,14	
X	0,35	
Y	0,57	
Y ₀	0,26	
C _{0r}	86000 N	Basic static load rating, radial
n _G	4500 1/min	Limiting speed
n _B	4750 1/min	Reference speed
C _{ur}	5300 N	Fatigue limit load, radial



7218-B-TVP

Figure 1 , Figure 2

d	90 mm	
D	160 mm	
B	30 mm	
a	67 mm	
D ₁	133,4 mm	
d ₁	117,5 mm	
D _{a max}	149 mm	
d _{a min}	101 mm	
D _{b max}	154,4 mm	
r _{1 min}	1 mm	
r _{a1 max}	1 mm	
r _{a max}	2 mm	
r _{min}	2 mm	
m	2,21 kg	Mass
C _r	114000 N	Basic dynamic load rating, radial
e	1,14	
X	0,35	
Y	0,57	
Y ₀	0,26	
C _{0r}	98000 N	Basic static load rating, radial
n _G	4300 1/min	Limiting speed
n _B	4550 1/min	Reference speed
C _{ur}	5900 N	Fatigue limit load, radial



7218-B-JP

Figure 1 , Figure 2

d	90 mm	
D	160 mm	
B	30 mm	
D ₁	133,4 mm	
d ₁	117,5 mm	
r _{1 min}	1 mm	
r _{a1 max}	1 mm	
r _{a max}	2 mm	
r _{min}	2 mm	
m	2,38 kg	Mass
C _r	114000 N	Basic dynamic load rating, radial
e	1,14	
X	0,35	
Y	0,57	
Y ₀	0,26	
C _{0r}	98000 N	Basic static load rating, radial
n _G	4300 1/min	Limiting speed
n _B	4550 1/min	Reference speed
C _{ur}	5900 N	Fatigue limit load, radial

7219-B-JP



Figure 1 , Figure 2

d	95 mm	
D	170 mm	
B	32 mm	
a	72 mm	
D ₁	141,5 mm	
d ₁	125,3 mm	
D _{a max}	158 mm	
d _{a min}	107 mm	
D _{b max}	163 mm	
r _{1 min}	1,1 mm	
r _{a1 max}	1 mm	
r _{a max}	2,1 mm	
r _{min}	2,1 mm	
m	2,64 kg	Mass
C _r	123000 N	Basic dynamic load rating, radial
e	1,14	
X	0,35	
Y	0,57	
Y ₀	0,26	
C _{0r}	106000 N	Basic static load rating, radial
n _G	4000 1/min	Limiting speed
n _B	4450 1/min	Reference speed
C _{ur}	6200 N	Fatigue limit load, radial



7219-B-TVP

Figure 1 , Figure 2

d	95 mm	
D	170 mm	
B	32 mm	
a	72 mm	
D ₁	141,5 mm	
d ₁	125,3 mm	
D _{a max}	158 mm	
d _{a min}	107 mm	
D _{b max}	163 mm	
r _{1 min}	1,1 mm	
r _{a1 max}	1 mm	
r _{a max}	2,1 mm	
r _{min}	2,1 mm	
m	2,64 kg	Mass
C _r	123000 N	Basic dynamic load rating, radial
e	1,14	
X	0,35	
Y	0,57	
Y ₀	0,26	
C _{0r}	106000 N	Basic static load rating, radial
n _G	4000 1/min	Limiting speed
n _B	4450 1/min	Reference speed
C _{ur}	6200 N	Fatigue limit load, radial



7220-B-TVP

Figure 1 , Figure 2

d	100 mm	
D	180 mm	
B	34 mm	
a	76 mm	
D ₁	149,6 mm	
d ₁	132,3 mm	
D _{a max}	168 mm	
d _{a min}	112 mm	
D _{b max}	173 mm	
r _{1 min}	1,1 mm	
r _{a1 max}	1 mm	
r _{a max}	2,1 mm	
r _{min}	2,1 mm	
m	3,17 kg	Mass
C _r	142000 N	Basic dynamic load rating, radial
e	1,14	
X	0,35	
Y	0,57	
Y ₀	0,26	
C _{0r}	124000 N	Basic static load rating, radial
n _G	3800 1/min	Limiting speed
n _B	4250 1/min	Reference speed
C _{ur}	7100 N	Fatigue limit load, radial

7220-B-JP



Figure 1 , Figure 2

d	100 mm	
D	180 mm	
B	34 mm	
a	76 mm	
D ₁	149,6 mm	
d ₁	132,3 mm	
D _{a max}	168 mm	
d _{a min}	112 mm	
D _{b max}	173 mm	
r _{1 min}	1,1 mm	
r _{a1 max}	1 mm	
r _{a max}	2,1 mm	
r _{min}	2,1 mm	
m	3,45 kg	Mass
C _r	148000 N	Basic dynamic load rating, radial
e	1,14	
X	0,35	
Y	0,57	
Y ₀	0,26	
C _{0r}	132000 N	Basic static load rating, radial
n _G	3800 1/min	Limiting speed
n _B	4200 1/min	Reference speed
C _{ur}	7500 N	Fatigue limit load, radial

7221-B-MP



Figure 1 , Figure 2

d	105 mm	
D	190 mm	
B	36 mm	
a	80 mm	
D ₁	157,7 mm	
d ₁	138,2 mm	
D _{a max}	178 mm	
d _{a min}	117 mm	
D _{b max}	183 mm	
r _{1 min}	1,1 mm	
r _{a1 max}	1 mm	
r _{a max}	2,1 mm	
r _{min}	2,1 mm	
m	4,18 kg	Mass
C _r	155000 N	Basic dynamic load rating, radial
e	1,14	
X	0,35	
Y	0,57	
Y ₀	0,26	
C _{0r}	142000 N	Basic static load rating, radial
n _G	6000 1/min	Limiting speed
n _B	4100 1/min	Reference speed
C _{ur}	7900 N	Fatigue limit load, radial



7222-B-JP

Figure 1 , Figure 2

d	110 mm	
D	200 mm	
B	38 mm	
a	84 mm	
D ₁	165,7 mm	
d ₁	144,9 mm	
D _{a max}	188 mm	
d _{a min}	122 mm	
D _{b max}	193 mm	
r _{1 min}	1,1 mm	
r _{a1 max}	1 mm	
r _{a max}	2,1 mm	
r _{min}	2,1 mm	
m	4,7 kg	Mass
C _r	167000 N	Basic dynamic load rating, radial
e	1,14	
X	0,35	
Y	0,57	
Y ₀	0,26	
C _{0r}	154000 N	Basic static load rating, radial
n _G	3600 1/min	Limiting speed
n _B	3950 1/min	Reference speed
C _{ur}	8300 N	Fatigue limit load, radial

7222-B-TVP



Figure 1 , Figure 2

d	110 mm	
D	200 mm	
B	38 mm	
a	84 mm	
D ₁	165,7 mm	
d ₁	144,9 mm	
D _{a max}	188 mm	
d _{a min}	122 mm	
D _{b max}	193 mm	
r _{1 min}	1,1 mm	
r _{a1 max}	1 mm	
r _{a max}	2,1 mm	
r _{min}	2,1 mm	
m	4,44 kg	Mass
C _r	167000 N	Basic dynamic load rating, radial
e	1,14	
X	0,35	
Y	0,57	
Y ₀	0,26	
C _{0r}	154000 N	Basic static load rating, radial
n _G	3600 1/min	Limiting speed
n _B	3950 1/min	Reference speed
C _{ur}	8300 N	Fatigue limit load, radial



7224-B-TVP

Figure 1 , Figure 2

d	120 mm	
D	215 mm	
B	40 mm	
a	90 mm	
D ₁	178,9 mm	
d ₁	157,2 mm	
D _{a max}	203 mm	
d _{a min}	132 mm	
D _{b max}	208 mm	
r _{1 min}	1,1 mm	
r _{a1 max}	1 mm	
r _{a max}	2,1 mm	
r _{min}	2,1 mm	
m	5,31 kg	Mass
C _r	182000 N	Basic dynamic load rating, radial
e	1,14	
X	0,35	
Y	0,57	
Y ₀	0,26	
C _{0r}	178000 N	Basic static load rating, radial
n _G	3400 1/min	Limiting speed
n _B	3700 1/min	Reference speed
C _{ur}	9300 N	Fatigue limit load, radial

7226-B-TVP



Figure 1 , Figure 2

d	130 mm	
D	230 mm	
B	40 mm	
a	96 mm	
D ₁	191,8 mm	
d ₁	169,7 mm	
D _{a max}	216 mm	
d _{a min}	144 mm	
D _{b max}	223 mm	
r _{1 min}	1,1 mm	
r _{a1 max}	1 mm	
r _{a max}	2,5 mm	
r _{min}	3 mm	
m	6,12 kg	Mass
C _r	200000 N	Basic dynamic load rating, radial
e	1,14	
X	0,35	
Y	0,57	
Y ₀	0,26	
C _{0r}	204000 N	Basic static load rating, radial
n _G	3200 1/min	Limiting speed
n _B	3350 1/min	Reference speed
C _{ur}	10300 N	Fatigue limit load, radial

7228-B-MP



Figure 1 , Figure 2

d	140 mm	
D	250 mm	
B	42 mm	
a	103 mm	
D ₁	207,5 mm	
d ₁	183,5 mm	
D _{a max}	236 mm	
d _{a min}	154 mm	
D _{b max}	243 mm	
r _{1 min}	1,1 mm	
r _{a1 max}	1 mm	
r _{a max}	2,5 mm	
r _{min}	3 mm	
m	8,55 kg	Mass
C _r	214000 N	Basic dynamic load rating, radial
e	1,14	
X	0,35	
Y	0,57	
Y ₀	0,26	
C _{0r}	231000 N	Basic static load rating, radial
n _G	4800 1/min	Limiting speed
n _B	3100 1/min	Reference speed
C _{ur}	11100 N	Fatigue limit load, radial

7230-B-MP



Figure 1 , Figure 2

d	150 mm	
D	270 mm	
B	45 mm	
a	111 mm	
D ₁	223,5 mm	
d ₁	197,5 mm	
D _{a max}	256 mm	
d _{a min}	164 mm	
D _{b max}	263 mm	
r _{1 min}	1,1 mm	
r _{a1 max}	1 mm	
r _{a max}	2,5 mm	
r _{min}	3 mm	
m	10,9 kg	Mass
C _r	245000 N	Basic dynamic load rating, radial
e	1,14	
X	0,35	
Y	0,57	
Y ₀	0,26	
C _{0r}	275000 N	Basic static load rating, radial
n _G	4500 1/min	Limiting speed
n _B	2850 1/min	Reference speed
C _{ur}	12800 N	Fatigue limit load, radial



7232-B-MP

Figure 1 , Figure 2

d	160 mm	
D	290 mm	
B	48 mm	
a	118 mm	
D ₁	238 mm	
d ₁	212 mm	
D _{a max}	276 mm	
d _{a min}	174 mm	
D _{b max}	283 mm	
r _{1 min}	1,1 mm	
r _{a1 max}	1 mm	
r _{a max}	2,5 mm	
r _{min}	3 mm	
m	13,5 kg	Mass
C _r	236000 N	Basic dynamic load rating, radial
e	1,14	
X	0,35	
Y	0,57	
Y ₀	0,26	
C _{0r}	280000 N	Basic static load rating, radial
n _G	4300 1/min	Limiting speed
n _B	2650 1/min	Reference speed
C _{ur}	10400 N	Fatigue limit load, radial



7234-B-MP

Figure 1 , Figure 2

d	170 mm	
D	310 mm	
B	52 mm	
a	127 mm	
D ₁	255,8 mm	
d ₁	227,4 mm	
D _{a max}	293 mm	
d _{a min}	187 mm	
D _{b max}	301 mm	
r _{1 min}	1,5 mm	
r _{a1 max}	1,5 mm	
r _{a max}	3 mm	
r _{min}	4 mm	
m	16,7 kg	Mass
C _r	265000 N	Basic dynamic load rating, radial
e	1,14	
X	0,35	
Y	0,57	
Y ₀	0,26	
C _{0r}	325000 N	Basic static load rating, radial
n _G	3800 1/min	Limiting speed
n _B	2440 1/min	Reference speed
C _{ur}	11600 N	Fatigue limit load, radial