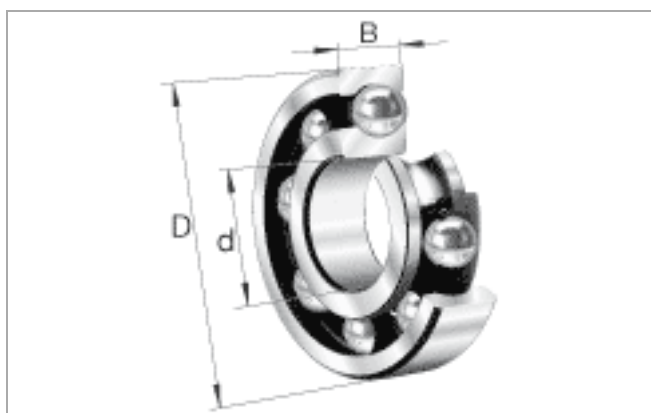




# Deep groove ball bearings 63

main dimensions to DIN 625-1

The datasheet is only an overview of dimensions and basic load ratings for the selected series. Please ensure that you note all the guidance in these overview pages. Further information is given on many products under the menu item "Description". You can also request comprehensive information material via Catalogue selection (<http://www.fag.de/content.fag.de/en/services/mediathek/library/library.jsp>), by e-mail ([sales\\_promotion@fag.de](mailto:sales_promotion@fag.de)) or by telephone +49 (91 32) 82 - 28 97.



	d mm	D mm	B mm	
634		4	16	5
635		5	19	6
6300		10	35	11
6301		12	37	12
6302		15	42	13
6303		17	47	14
6304		20	52	15
6305		25	62	17
6306		30	72	19
6307		35	80	21
6308		40	90	23
6309		45	100	25
6310		50	110	27
6311		55	120	29
6312		60	130	31
	d mm	D mm	B mm	

	d mm	D mm	B mm	
6313		65	140	33
6314		70	150	35
6315		75	160	37
6316		80	170	39
6317		85	180	41
6318		90	190	43
6319		95	200	45
6320		100	215	47
6321		105	225	49
6322		110	240	50
6324		120	260	55
6326-M		130	280	58
6328-M		140	300	62
6330-M		150	320	65
6332-M		160	340	68
6334-M		170	360	72
6336-M		180	380	75
6338-M		190	400	78
6340-M		200	420	80
6344-M		220	460	88
6348-M		240	500	95
	d mm	D mm	B mm	

Figure 1

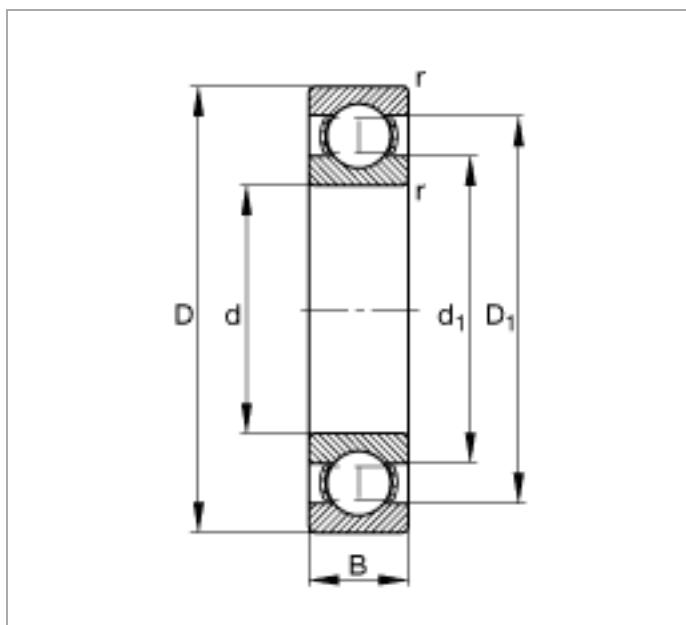
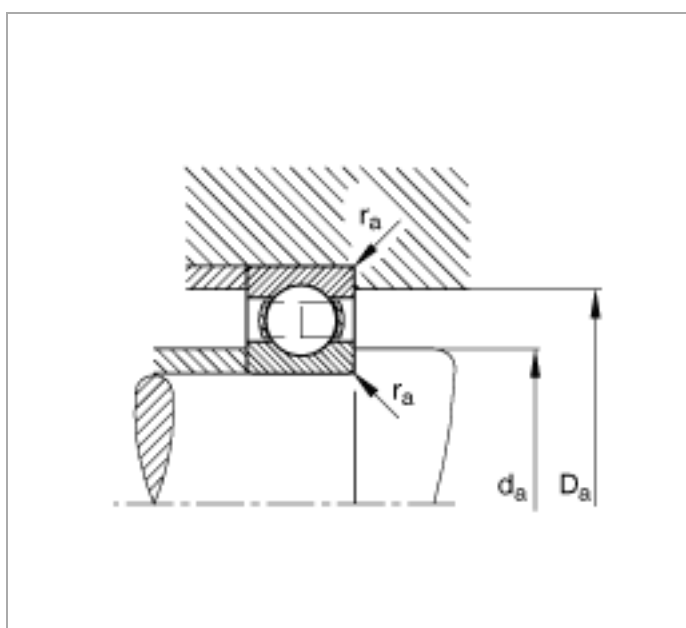


Figure 2



## 634

Figure 1 , Figure 2

d	4 mm	
D	16 mm	
B	5 mm	
D <sub>1</sub>	12,5 mm	
d <sub>1</sub>	8,5 mm	
D <sub>a max</sub>	13,6 mm	
d <sub>a min</sub>	6,4 mm	
r <sub>a max</sub>	0,3 mm	
r <sub>min</sub>	0,3 mm	
m	0,0060 kg	Mass
C <sub>r</sub>	1730 N	Basic dynamic load rating, radial
C <sub>0r</sub>	670 N	Basic static load rating, radial
f <sub>0</sub>	12,4	
n <sub>G</sub>	43000 1/min	Limiting speed
n <sub>B</sub>	32500 1/min	Reference speed
C <sub>ur</sub>	35,5 N	Fatigue limit load, radial

## 635

Figure 1 , Figure 2

d	5 mm	
D	19 mm	
B	6 mm	
D <sub>1</sub>	15,5 mm	
d <sub>1</sub>	10,8 mm	
D <sub>a max</sub>	16,6 mm	
d <sub>a min</sub>	7,4 mm	
r <sub>a max</sub>	0,3 mm	
r <sub>min</sub>	0,3 mm	
m	0,0080 kg	Mass
C <sub>r</sub>	2600 N	Basic dynamic load rating, radial
C <sub>0r</sub>	1060 N	Basic static load rating, radial
f <sub>0</sub>	12,3	
n <sub>G</sub>	38000 1/min	Limiting speed
n <sub>B</sub>	27500 1/min	Reference speed
C <sub>ur</sub>	53 N	Fatigue limit load, radial

## 6300

Figure 1 , Figure 2

d	10 mm	
D	35 mm	
B	11 mm	
D <sub>1</sub>	27 mm	
d <sub>1</sub>	18,1 mm	
D <sub>a max</sub>	30,8 mm	
d <sub>a min</sub>	14,2 mm	
r <sub>a max</sub>	0,6 mm	
r <sub>min</sub>	0,6 mm	
m	0,055 kg	Mass
C <sub>r</sub>	8150 N	Basic dynamic load rating, radial
C <sub>0r</sub>	3450 N	Basic static load rating, radial
f <sub>0</sub>	11,2	
n <sub>G</sub>	56000 1/min	Limiting speed
n <sub>B</sub>	21100 1/min	Reference speed
C <sub>ur</sub>	230 N	Fatigue limit load, radial

## 6301

Figure 1 , Figure 2

d	12 mm	
D	37 mm	
B	12 mm	
D <sub>1</sub>	29,6 mm	
d <sub>1</sub>	19,5 mm	
D <sub>a max</sub>	31,4 mm	
d <sub>a min</sub>	17,6 mm	
r <sub>a max</sub>	1 mm	
r <sub>min</sub>	1 mm	
m	0,062 kg	Mass
C <sub>r</sub>	9650 N	Basic dynamic load rating, radial
C <sub>0r</sub>	4150 N	Basic static load rating, radial
f <sub>0</sub>	11,1	
n <sub>G</sub>	53000 1/min	Limiting speed
n <sub>B</sub>	20000 1/min	Reference speed
C <sub>ur</sub>	280 N	Fatigue limit load, radial

## 6302

Figure 1 , Figure 2

d	15 mm	
D	42 mm	
B	13 mm	
D <sub>1</sub>	33,5 mm	
d <sub>1</sub>	23,6 mm	
D <sub>a max</sub>	36,4 mm	
d <sub>a min</sub>	20,6 mm	
r <sub>a max</sub>	1 mm	
r <sub>min</sub>	1 mm	
m	0,088 kg	Mass
C <sub>r</sub>	11400 N	Basic dynamic load rating, radial
C <sub>0r</sub>	5400 N	Basic static load rating, radial
f <sub>0</sub>	12,1	
n <sub>G</sub>	43000 1/min	Limiting speed
n <sub>B</sub>	17500 1/min	Reference speed
C <sub>ur</sub>	350 N	Fatigue limit load, radial



## 6303

Figure 1 , Figure 2

d	17 mm	
D	47 mm	
B	14 mm	
D <sub>1</sub>	37,9 mm	
d <sub>1</sub>	26,2 mm	
D <sub>a max</sub>	41,4 mm	
d <sub>a min</sub>	22,6 mm	
r <sub>a max</sub>	1 mm	
r <sub>min</sub>	1 mm	
m	0,114 kg	Mass
C <sub>r</sub>	13400 N	Basic dynamic load rating, radial
C <sub>0r</sub>	6550 N	Basic static load rating, radial
f <sub>0</sub>	12,2	
n <sub>G</sub>	19000 1/min	Limiting speed
n <sub>B</sub>	15900 1/min	Reference speed
C <sub>ur</sub>	425 N	Fatigue limit load, radial

## 6304

Figure 1 , Figure 2

d	20 mm	
D	52 mm	
B	15 mm	
D <sub>1</sub>	41,9 mm	
d <sub>1</sub>	30,3 mm	
D <sub>a max</sub>	45 mm	
d <sub>a min</sub>	27 mm	
r <sub>a max</sub>	1 mm	
r <sub>min</sub>	1,1 mm	
m	0,151 kg	Mass
C <sub>r</sub>	16000 N	Basic dynamic load rating, radial
C <sub>0r</sub>	7800 N	Basic static load rating, radial
f <sub>0</sub>	12,4	
n <sub>G</sub>	34000 1/min	Limiting speed
n <sub>B</sub>	14400 1/min	Reference speed
C <sub>ur</sub>	530 N	Fatigue limit load, radial

## 6305

Figure 1 , Figure 2

d	25 mm	
D	62 mm	
B	17 mm	
D <sub>1</sub>	50,2 mm	
d <sub>1</sub>	36,4 mm	
D <sub>a max</sub>	55 mm	
d <sub>a min</sub>	32 mm	
r <sub>a max</sub>	1 mm	
r <sub>min</sub>	1,1 mm	
m	0,234 kg	Mass
C <sub>r</sub>	22400 N	Basic dynamic load rating, radial
C <sub>0r</sub>	11400 N	Basic static load rating, radial
f <sub>0</sub>	12,4	
n <sub>G</sub>	28000 1/min	Limiting speed
n <sub>B</sub>	12300 1/min	Reference speed
C <sub>ur</sub>	750 N	Fatigue limit load, radial

## 6306

Figure 1 , Figure 2

d	30 mm	
D	72 mm	
B	19 mm	
D <sub>1</sub>	59,6 mm	
d <sub>1</sub>	44,6 mm	
D <sub>a max</sub>	65 mm	
d <sub>a min</sub>	37 mm	
r <sub>a max</sub>	1 mm	
r <sub>min</sub>	1,1 mm	
m	0,355 kg	Mass
C <sub>r</sub>	29000 N	Basic dynamic load rating, radial
C <sub>0r</sub>	16300 N	Basic static load rating, radial
f <sub>0</sub>	13	
n <sub>G</sub>	24000 1/min	Limiting speed
n <sub>B</sub>	10500 1/min	Reference speed
C <sub>ur</sub>	1020 N	Fatigue limit load, radial

## 6307

Figure 1 , Figure 2

d	35 mm	
D	80 mm	
B	21 mm	
D <sub>1</sub>	65,5 mm	
d <sub>1</sub>	49,3 mm	
D <sub>a max</sub>	71 mm	
d <sub>a min</sub>	44 mm	
r <sub>a max</sub>	1,5 mm	
r <sub>min</sub>	1,5 mm	
m	0,471 kg	Mass
C <sub>r</sub>	33500 N	Basic dynamic load rating, radial
C <sub>0r</sub>	19000 N	Basic static load rating, radial
f <sub>0</sub>	13,1	
n <sub>G</sub>	20000 1/min	Limiting speed
n <sub>B</sub>	9900 1/min	Reference speed
C <sub>ur</sub>	1250 N	Fatigue limit load, radial

## 6308

Figure 1 , Figure 2

d	40 mm	
D	90 mm	
B	23 mm	
D <sub>1</sub>	74,6 mm	
d <sub>1</sub>	55,6 mm	
D <sub>a max</sub>	81 mm	
d <sub>a min</sub>	49 mm	
r <sub>a max</sub>	1,5 mm	
r <sub>min</sub>	1,5 mm	
m	0,64 kg	Mass
C <sub>r</sub>	42500 N	Basic dynamic load rating, radial
C <sub>0r</sub>	25000 N	Basic static load rating, radial
f <sub>0</sub>	13	
n <sub>G</sub>	18000 1/min	Limiting speed
n <sub>B</sub>	9000 1/min	Reference speed
C <sub>ur</sub>	1640 N	Fatigue limit load, radial

## 6309

Figure 1 , Figure 2

d	45 mm	
D	100 mm	
B	25 mm	
D <sub>1</sub>	83,3 mm	
d <sub>1</sub>	62,3 mm	
D <sub>a max</sub>	91 mm	
d <sub>a min</sub>	54 mm	
r <sub>a max</sub>	1,5 mm	
r <sub>min</sub>	1,5 mm	
m	0,849 kg	Mass
C <sub>r</sub>	53000 N	Basic dynamic load rating, radial
C <sub>0r</sub>	31500 N	Basic static load rating, radial
f <sub>0</sub>	13	
n <sub>G</sub>	16000 1/min	Limiting speed
n <sub>B</sub>	8200 1/min	Reference speed
C <sub>ur</sub>	2180 N	Fatigue limit load, radial

## 6310

Figure 1 , Figure 2

d	50 mm	
D	110 mm	
B	27 mm	
D <sub>1</sub>	91,6 mm	
d <sub>1</sub>	68,3 mm	
D <sub>a max</sub>	99 mm	
d <sub>a min</sub>	61 mm	
r <sub>a max</sub>	2 mm	
r <sub>min</sub>	2 mm	
m	1,1 kg	Mass
C <sub>r</sub>	62000 N	Basic dynamic load rating, radial
C <sub>0r</sub>	38000 N	Basic static load rating, radial
f <sub>0</sub>	13	
n <sub>G</sub>	14000 1/min	Limiting speed
n <sub>B</sub>	7700 1/min	Reference speed
C <sub>ur</sub>	2600 N	Fatigue limit load, radial



## 6311

Figure 1 , Figure 2

d	55 mm	
D	120 mm	
B	29 mm	
D <sub>1</sub>	100,9 mm	
d <sub>1</sub>	75,5 mm	
D <sub>a max</sub>	109 mm	
d <sub>a min</sub>	66 mm	
r <sub>a max</sub>	2 mm	
r <sub>min</sub>	2 mm	
m	1,39 kg	Mass
C <sub>r</sub>	76500 N	Basic dynamic load rating, radial
C <sub>0r</sub>	47500 N	Basic static load rating, radial
f <sub>0</sub>	12,9	
n <sub>G</sub>	13000 1/min	Limiting speed
n <sub>B</sub>	7100 1/min	Reference speed
C <sub>ur</sub>	3050 N	Fatigue limit load, radial

## 6312

Figure 1 , Figure 2

d	60 mm	
D	130 mm	
B	31 mm	
D <sub>1</sub>	108,4 mm	
d <sub>1</sub>	81,6 mm	
D <sub>a max</sub>	118 mm	
d <sub>a min</sub>	72 mm	
r <sub>a max</sub>	2,1 mm	
r <sub>min</sub>	2,1 mm	
m	1,75 kg	Mass
C <sub>r</sub>	81500 N	Basic dynamic load rating, radial
C <sub>0r</sub>	52000 N	Basic static load rating, radial
f <sub>0</sub>	13,1	
n <sub>G</sub>	12000 1/min	Limiting speed
n <sub>B</sub>	6700 1/min	Reference speed
C <sub>ur</sub>	3400 N	Fatigue limit load, radial

## 6313

Figure 1 , Figure 2

d	65 mm	
D	140 mm	
B	33 mm	
D <sub>1</sub>	117,5 mm	
d <sub>1</sub>	88,6 mm	
D <sub>a max</sub>	128 mm	
d <sub>a min</sub>	77 mm	
r <sub>a max</sub>	2,1 mm	
r <sub>min</sub>	2,1 mm	
m	2,14 kg	Mass
C <sub>r</sub>	93000 N	Basic dynamic load rating, radial
C <sub>0r</sub>	60000 N	Basic static load rating, radial
f <sub>0</sub>	13,2	
n <sub>G</sub>	11000 1/min	Limiting speed
n <sub>B</sub>	6400 1/min	Reference speed
C <sub>ur</sub>	3950 N	Fatigue limit load, radial

## 6314

Figure 1 , Figure 2

d	70 mm	
D	150 mm	
B	35 mm	
D <sub>1</sub>	126,3 mm	
d <sub>1</sub>	95,1 mm	
D <sub>a max</sub>	138 mm	
d <sub>a min</sub>	82 mm	
r <sub>a max</sub>	2,1 mm	
r <sub>min</sub>	2,1 mm	
m	2,55 kg	Mass
C <sub>r</sub>	104000 N	Basic dynamic load rating, radial
C <sub>0r</sub>	68000 N	Basic static load rating, radial
f <sub>0</sub>	13,2	
n <sub>G</sub>	10000 1/min	Limiting speed
n <sub>B</sub>	6100 1/min	Reference speed
C <sub>ur</sub>	4450 N	Fatigue limit load, radial

## 6315

Figure 1 , Figure 2

d	75 mm	
D	160 mm	
B	37 mm	
D <sub>1</sub>	133,2 mm	
d <sub>1</sub>	101,8 mm	
D <sub>a max</sub>	148 mm	
d <sub>a min</sub>	87 mm	
r <sub>a max</sub>	2,1 mm	
r <sub>min</sub>	2,1 mm	
m	3,18 kg	Mass
C <sub>r</sub>	114000 N	Basic dynamic load rating, radial
C <sub>0r</sub>	76500 N	Basic static load rating, radial
f <sub>0</sub>	13,2	
n <sub>G</sub>	9500 1/min	Limiting speed
n <sub>B</sub>	5800 1/min	Reference speed
C <sub>ur</sub>	4650 N	Fatigue limit load, radial

## 6316

Figure 1 , Figure 2

d	80 mm	
D	170 mm	
B	39 mm	
D <sub>1</sub>	141,8 mm	
d <sub>1</sub>	108,6 mm	
D <sub>a max</sub>	158 mm	
d <sub>a min</sub>	92 mm	
r <sub>a max</sub>	2,1 mm	
r <sub>min</sub>	2,1 mm	
m	3,75 kg	Mass
C <sub>r</sub>	122000 N	Basic dynamic load rating, radial
C <sub>0r</sub>	86500 N	Basic static load rating, radial
f <sub>0</sub>	13,2	
n <sub>G</sub>	9000 1/min	Limiting speed
n <sub>B</sub>	5500 1/min	Reference speed
C <sub>ur</sub>	5200 N	Fatigue limit load, radial

## 6317

Figure 1 , Figure 2

d	85 mm	
D	180 mm	
B	41 mm	
D <sub>1</sub>	151,6 mm	
d <sub>1</sub>	114,4 mm	
D <sub>a max</sub>	166 mm	
d <sub>a min</sub>	99 mm	
r <sub>a max</sub>	2,5 mm	
r <sub>min</sub>	3 mm	
m	4,25 kg	Mass
C <sub>r</sub>	132000 N	Basic dynamic load rating, radial
C <sub>0r</sub>	96500 N	Basic static load rating, radial
f <sub>0</sub>	13,3	
n <sub>G</sub>	8000 1/min	Limiting speed
n <sub>B</sub>	5300 1/min	Reference speed
C <sub>ur</sub>	5800 N	Fatigue limit load, radial

## 6318

Figure 1 , Figure 2

d	90 mm	
D	190 mm	
B	43 mm	
D <sub>1</sub>	157,1 mm	
d <sub>1</sub>	123,8 mm	
D <sub>a max</sub>	176 mm	
d <sub>a min</sub>	104 mm	
r <sub>a max</sub>	2,5 mm	
r <sub>min</sub>	3 mm	
m	5,43 kg	Mass
C <sub>r</sub>	134000 N	Basic dynamic load rating, radial
C <sub>0r</sub>	102000 N	Basic static load rating, radial
f <sub>0</sub>	13,9	
n <sub>G</sub>	8000 1/min	Limiting speed
n <sub>B</sub>	5100 1/min	Reference speed
C <sub>ur</sub>	5800 N	Fatigue limit load, radial



## 6319

Figure 1 , Figure 2

d	95 mm	
D	200 mm	
B	45 mm	
D <sub>1</sub>	166,9 mm	
d <sub>1</sub>	129,1 mm	
D <sub>a max</sub>	186 mm	
d <sub>a min</sub>	109 mm	
r <sub>a max</sub>	2,5 mm	
r <sub>min</sub>	3 mm	
m	6,23 kg	Mass
C <sub>r</sub>	146000 N	Basic dynamic load rating, radial
C <sub>0r</sub>	114000 N	Basic static load rating, radial
f <sub>0</sub>	13,9	
n <sub>G</sub>	7500 1/min	Limiting speed
n <sub>B</sub>	4950 1/min	Reference speed
C <sub>ur</sub>	6400 N	Fatigue limit load, radial

## 6320

Figure 1 , Figure 2

d	100 mm	
D	215 mm	
B	47 mm	
D <sub>1</sub>	179 mm	
d <sub>1</sub>	138,6 mm	
D <sub>a max</sub>	201 mm	
d <sub>a min</sub>	114 mm	
r <sub>a max</sub>	2,5 mm	
r <sub>min</sub>	3 mm	
m	7,67 kg	Mass
C <sub>r</sub>	163000 N	Basic dynamic load rating, radial
C <sub>0r</sub>	134000 N	Basic static load rating, radial
f <sub>0</sub>	13,8	
n <sub>G</sub>	7000 1/min	Limiting speed
n <sub>B</sub>	4600 1/min	Reference speed
C <sub>ur</sub>	7400 N	Fatigue limit load, radial

## 6321

Figure 1 , Figure 2

d	105 mm	
D	225 mm	
B	49 mm	
D <sub>1</sub>	187 mm	
d <sub>1</sub>	144,5 mm	
D <sub>a max</sub>	211 mm	
d <sub>a min</sub>	119 mm	
r <sub>a max</sub>	2,5 mm	
r <sub>min</sub>	3 mm	
m	8,7 kg	Mass
C <sub>r</sub>	173000 N	Basic dynamic load rating, radial
C <sub>0r</sub>	146000 N	Basic static load rating, radial
f <sub>0</sub>	13,7	
n <sub>G</sub>	6700 1/min	Limiting speed
n <sub>B</sub>	4450 1/min	Reference speed
C <sub>ur</sub>	7500 N	Fatigue limit load, radial

## 6322

Figure 1 , Figure 2

d	110 mm	
D	240 mm	
B	50 mm	
D <sub>1</sub>	197,4 mm	
d <sub>1</sub>	153,4 mm	
D <sub>a max</sub>	226 mm	
d <sub>a min</sub>	124 mm	
r <sub>a max</sub>	2,5 mm	
r <sub>min</sub>	3 mm	
m	10,3 kg	Mass
C <sub>r</sub>	190000 N	Basic dynamic load rating, radial
C <sub>0r</sub>	166000 N	Basic static load rating, radial
f <sub>0</sub>	13,8	
n <sub>G</sub>	6300 1/min	Limiting speed
n <sub>B</sub>	4150 1/min	Reference speed
C <sub>ur</sub>	8600 N	Fatigue limit load, radial

## 6324

Figure 1 , Figure 2

d	120 mm	
D	260 mm	
B	55 mm	
D <sub>1</sub>	214,9 mm	
d <sub>1</sub>	165,1 mm	
D <sub>a max</sub>	246 mm	
d <sub>a min</sub>	134 mm	
r <sub>a max</sub>	2,5 mm	
r <sub>min</sub>	3 mm	
m	12,8 kg	Mass
C <sub>r</sub>	212000 N	Basic dynamic load rating, radial
C <sub>0r</sub>	190000 N	Basic static load rating, radial
f <sub>0</sub>	13,5	
n <sub>G</sub>	6000 1/min	Limiting speed
n <sub>B</sub>	3850 1/min	Reference speed
C <sub>ur</sub>	9000 N	Fatigue limit load, radial

## 6326-M

Figure 1 , Figure 2

d	130 mm	
D	280 mm	
B	58 mm	
D <sub>1</sub>	231,2 mm	
d <sub>1</sub>	178,9 mm	
D <sub>a max</sub>	263 mm	
d <sub>a min</sub>	147 mm	
r <sub>a max</sub>	3 mm	
r <sub>min</sub>	4 mm	
m	18,3 kg	Mass
C <sub>r</sub>	228000 N	Basic dynamic load rating, radial
C <sub>0r</sub>	216000 N	Basic static load rating, radial
f <sub>0</sub>	13,6	
n <sub>G</sub>	5600 1/min	Limiting speed
n <sub>B</sub>	3500 1/min	Reference speed
C <sub>ur</sub>	9800 N	Fatigue limit load, radial

## 6328-M

Figure 1 , Figure 2

d	140 mm	
D	300 mm	
B	62 mm	
D <sub>1</sub>	248,7 mm	
d <sub>1</sub>	191,3 mm	
D <sub>a max</sub>	283 mm	
d <sub>a min</sub>	157 mm	
r <sub>a max</sub>	3 mm	
r <sub>min</sub>	4 mm	
m	22,3 kg	Mass
C <sub>r</sub>	255000 N	Basic dynamic load rating, radial
C <sub>0r</sub>	245000 N	Basic static load rating, radial
f <sub>0</sub>	13,6	
n <sub>G</sub>	5300 1/min	Limiting speed
n <sub>B</sub>	3250 1/min	Reference speed
C <sub>ur</sub>	11100 N	Fatigue limit load, radial

## 6330-M

Figure 1 , Figure 2

d	150 mm	
D	320 mm	
B	65 mm	
D <sub>1</sub>	266,1 mm	
d <sub>1</sub>	205,6 mm	
D <sub>a max</sub>	303 mm	
d <sub>a min</sub>	167 mm	
r <sub>a max</sub>	3 mm	
r <sub>min</sub>	4 mm	
m	26,5 kg	Mass
C <sub>r</sub>	280000 N	Basic dynamic load rating, radial
C <sub>0r</sub>	290000 N	Basic static load rating, radial
f <sub>0</sub>	13,8	
n <sub>G</sub>	4800 1/min	Limiting speed
n <sub>B</sub>	3000 1/min	Reference speed
C <sub>ur</sub>	13100 N	Fatigue limit load, radial



## 6332-M

Figure 1 , Figure 2

d	160 mm	
D	340 mm	
B	68 mm	
D <sub>1</sub>	282,8 mm	
d <sub>1</sub>	219 mm	
D <sub>a max</sub>	323 mm	
d <sub>a min</sub>	177 mm	
r <sub>a max</sub>	3 mm	
r <sub>min</sub>	4 mm	
m	31,6 kg	Mass
C <sub>r</sub>	300000 N	Basic dynamic load rating, radial
C <sub>0r</sub>	325000 N	Basic static load rating, radial
f <sub>0</sub>	13,9	
n <sub>G</sub>	4300 1/min	Limiting speed
n <sub>B</sub>	2800 1/min	Reference speed
C <sub>ur</sub>	14000 N	Fatigue limit load, radial

## 6334-M

Figure 1 , Figure 2

d	170 mm	
D	360 mm	
B	72 mm	
D <sub>1</sub>	298 mm	
d <sub>1</sub>	232,6 mm	
D <sub>a max</sub>	343 mm	
d <sub>a min</sub>	187 mm	
r <sub>a max</sub>	3 mm	
r <sub>min</sub>	4 mm	
m	37,3 kg	Mass
C <sub>r</sub>	325000 N	Basic dynamic load rating, radial
C <sub>0r</sub>	365000 N	Basic static load rating, radial
f <sub>0</sub>	13,9	
n <sub>G</sub>	4000 1/min	Limiting speed
n <sub>B</sub>	2600 1/min	Reference speed
C <sub>ur</sub>	14700 N	Fatigue limit load, radial

## 6336-M

Figure 1 , Figure 2

d	180 mm	
D	380 mm	
B	75 mm	
D <sub>1</sub>	317 mm	
d <sub>1</sub>	245,2 mm	
D <sub>a max</sub>	363 mm	
d <sub>a min</sub>	197 mm	
r <sub>a max</sub>	3 mm	
r <sub>min</sub>	4 mm	
m	43 kg	Mass
C <sub>r</sub>	355000 N	Basic dynamic load rating, radial
C <sub>0r</sub>	405000 N	Basic static load rating, radial
f <sub>0</sub>	13,9	
n <sub>G</sub>	3800 1/min	Limiting speed
n <sub>B</sub>	2440 1/min	Reference speed
C <sub>ur</sub>	16300 N	Fatigue limit load, radial

## 6338-M

Figure 1 , Figure 2

d	190 mm	
D	400 mm	
B	78 mm	
D <sub>1</sub>	330,5 mm	
d <sub>1</sub>	260,2 mm	
D <sub>a max</sub>	380 mm	
d <sub>a min</sub>	210 mm	
r <sub>a max</sub>	4 mm	
r <sub>min</sub>	5 mm	
m	50,4 kg	Mass
C <sub>r</sub>	375000 N	Basic dynamic load rating, radial
C <sub>0r</sub>	440000 N	Basic static load rating, radial
f <sub>0</sub>	14	
n <sub>G</sub>	3600 1/min	Limiting speed
n <sub>B</sub>	2300 1/min	Reference speed
C <sub>ur</sub>	17500 N	Fatigue limit load, radial

## 6340-M

Figure 1 , Figure 2

d	200 mm	
D	420 mm	
B	80 mm	
D <sub>1</sub>	345,9 mm	
d <sub>1</sub>	274,7 mm	
D <sub>a max</sub>	400 mm	
d <sub>a min</sub>	220 mm	
r <sub>a max</sub>	4 mm	
r <sub>min</sub>	5 mm	
m	56,6 kg	Mass
C <sub>r</sub>	380000 N	Basic dynamic load rating, radial
C <sub>0r</sub>	465000 N	Basic static load rating, radial
f <sub>0</sub>	14,1	
n <sub>G</sub>	3400 1/min	Limiting speed
n <sub>B</sub>	2170 1/min	Reference speed
C <sub>ur</sub>	18000 N	Fatigue limit load, radial

## 6344-M

Figure 1 , Figure 2

d	220 mm	
D	460 mm	
B	88 mm	
D <sub>1</sub>	383 mm	
d <sub>1</sub>	299,4 mm	
D <sub>a max</sub>	440 mm	
d <sub>a min</sub>	240 mm	
r <sub>a max</sub>	4 mm	
r <sub>min</sub>	5 mm	
m	73,7 kg	Mass
C <sub>r</sub>	440000 N	Basic dynamic load rating, radial
C <sub>0r</sub>	560000 N	Basic static load rating, radial
f <sub>0</sub>	14,1	
n <sub>G</sub>	3200 1/min	Limiting speed
n <sub>B</sub>	1960 1/min	Reference speed
C <sub>ur</sub>	20000 N	Fatigue limit load, radial

## 6348-M

Figure 1 , Figure 2

d	240 mm	
D	500 mm	
B	95 mm	
D <sub>1</sub>	411,3 mm	
d <sub>1</sub>	328,7 mm	
D <sub>a max</sub>	480 mm	
d <sub>a min</sub>	260 mm	
r <sub>a max</sub>	4 mm	
r <sub>min</sub>	5 mm	
m	96,4 kg	Mass
C <sub>r</sub>	465000 N	Basic dynamic load rating, radial
C <sub>0r</sub>	620000 N	Basic static load rating, radial
f <sub>0</sub>	14,2	
n <sub>G</sub>	3000 1/min	Limiting speed
n <sub>B</sub>	1800 1/min	Reference speed
C <sub>ur</sub>	21800 N	Fatigue limit load, radial